



- Features :
 - 2"x1" compact size
 - 2:1 wide input range
 - High efficiency up to 92%
 - 1500VDC I/O isolation
 - Built-in remote ON/OFF control
 - Built-in trimming output
 - Comply with CE / FCC without external components
 - Protections: Short circuit / Overload / Input and Output Over voltage
 - Cooling by free air convection
 - Six-sided shield metal case
 - 100% burn-in test
 - Low cost / High reliability
 - Approvals: FCC / EAC / CE / UKCA
 - 2 years warranty

■ GTIN CODE

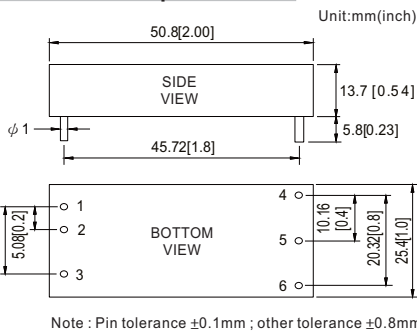
MW Search: <https://www.meanwell.com/serviceGTIN.aspx>



SPECIFICATION

ORDER NO.	SKM50B-05	SKM50C-05	SKM50B-12	SKM50C-12	SKM50B-15	SKM50C-15			
OUTPUT	DC VOLTAGE		5V		12V				
	CURRENT RANGE		1 ~ 10A		0.41 ~ 4.17A				
	RATED POWER		50W		50W				
	RIPPLE & NOISE (max.) Note.2		60mVp-p		80mVp-p				
	LINE REGULATION Note.3		±0.2%		±0.2%				
	LOAD REGULATION Note.4		±0.5%		±0.5%				
	VOLTAGE ACCURACY		±2.0%		±2.0%				
	SWITCHING FREQUENCY		300KHz typ.		300KHz typ.				
INPUT	EXTERNAL CAPACITANCE LOAD (max.)		1000uF		1000uF				
	EXTERNAL TRIM Adj. RANGE(Typ.)		±10%		-20 ~ +10%				
	VOLTAGE RANGE		B: 18 ~ 36VDC C: 36 ~ 75VDC		B: 18 ~ 36VDC C: 36 ~ 75VDC				
	UNDER VOLTAGE SHUTDOWN		B: 16VDC C: 32VDC		B: 16VDC C: 32VDC				
	EFFICIENCY (Typ.)		91%	91%	92%	91%	90%	91%	
	DC CURRENT		Full load	2300mA	1160mA	2300mA	1160mA	2300mA	1160mA
			No load	110mA	60mA	110mA	60mA	110mA	60mA
	FILTER		Pi network		Pi network		Pi network		
PROTECTION (Note. 5)	OVER CURRENT		110% ~ 180% rated output power		110% ~ 180% rated output power		110% ~ 180% rated output power		
	SHORT CIRCUIT		All output equipped with short circuit		All output equipped with short circuit		All output equipped with short circuit		
			Protection type : Hiccup mode, recovers automatically after fault condition is removed		Protection type : Hiccup mode, recovers automatically after fault condition is removed		Protection type : Hiccup mode, recovers automatically after fault condition is removed		
	OVER VOLTAGE		Input(Typ.)	B: >40 ~ 50VDC C: >80 ~ 100VDC input voltage		Protection type : Shut down o/p voltage, recovers automatically after fault condition is removed		Protection type : Shut down o/p voltage, recovers automatically after fault condition is removed	
		Output(Typ.)	5Vo : 7V ~ 8.95V ; 12Vo : 15V ~ 19.2V ; 15Vo : 18V ~ 23.3V		Protection type : Clamp by TVS diode		Protection type : Clamp by TVS diode		
ENVIRONMENT	WORKING TEMP.		-40 ~ +75°C (Refer to "Derating Curve")		-40 ~ +75°C (Refer to "Derating Curve")		-40 ~ +75°C (Refer to "Derating Curve")		
	CASE TEMP.		+115°C max.		+115°C max.		+115°C max.		
	WORKING HUMIDITY		20% ~ 90% RH non-condensing		20% ~ 90% RH non-condensing		20% ~ 90% RH non-condensing		
	STORAGE TEMP., HUMIDITY		-55 ~ +125°C, 10 ~ 95% RH		-55 ~ +125°C, 10 ~ 95% RH		-55 ~ +125°C, 10 ~ 95% RH		
	TEMP. COEFFICIENT		±0.03% / °C (0 ~ 55°C)		±0.03% / °C (0 ~ 55°C)		±0.03% / °C (0 ~ 55°C)		
	VIBRATION		10 ~ 500Hz, 2G 10min./1cycle, period for 60min. each along X, Y, Z axes		10 ~ 500Hz, 2G 10min./1cycle, period for 60min. each along X, Y, Z axes		10 ~ 500Hz, 2G 10min./1cycle, period for 60min. each along X, Y, Z axes		
SAFETY & EMC	SAFETY STANDARDS		EAC TP TC 020/2011 (EAC TP TC 004 for 48Vin type only) approved		EAC TP TC 020/2011 (EAC TP TC 004 for 48Vin type only) approved		EAC TP TC 020/2011 (EAC TP TC 004 for 48Vin type only) approved		
	WITHSTAND VOLTAGE		I/P-O/P:1.5KVDC		I/P-O/P:1.5KVDC		I/P-O/P:1.5KVDC		
	ISOLATION RESISTANCE		I/P-O/P: 100M Ohms / 500VDC / 25°C / 70% RH		I/P-O/P: 100M Ohms / 500VDC / 25°C / 70% RH		I/P-O/P: 100M Ohms / 500VDC / 25°C / 70% RH		
	EMC EMISSION Note.5		Compliance to BS EN/EN55032 Class A, FCC part 15 Class A without external components, EAC TP TC 020		Compliance to BS EN/EN55032 Class A, FCC part 15 Class A without external components, EAC TP TC 020		Compliance to BS EN/EN55032 Class A, FCC part 15 Class A without external components, EAC TP TC 020		
OTHERS	EMC IMMUNITY		Compliance to BS EN/EN61000-4-2,3,4,5,6,8, light industry level, criteria A, EAC TP TC 020		Compliance to BS EN/EN61000-4-2,3,4,5,6,8, light industry level, criteria A, EAC TP TC 020		Compliance to BS EN/EN61000-4-2,3,4,5,6,8, light industry level, criteria A, EAC TP TC 020		
	MTBF		700Khrs min. MIL-HDBK-217F(25°C)		700Khrs min. MIL-HDBK-217F(25°C)		700Khrs min. MIL-HDBK-217F(25°C)		
	DIMENSION		50.8*25.4*13.7 mm or 2**1**0.54" inch (L*W*H)		50.8*25.4*13.7 mm or 2**1**0.54" inch (L*W*H)		50.8*25.4*13.7 mm or 2**1**0.54" inch (L*W*H)		
PACKING		43g ; 10pcs/per tube, 320pcs/32 tube/per carton		43g ; 10pcs/per tube, 320pcs/32 tube/per carton		43g ; 10pcs/per tube, 320pcs/32 tube/per carton			

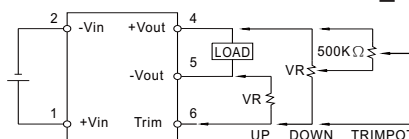
■ Mechanical Specification



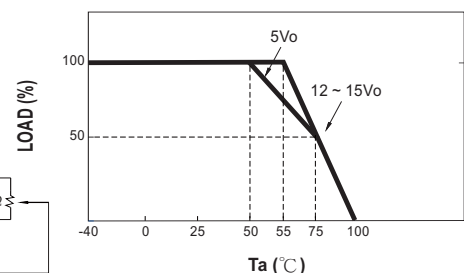
■ Pin Configuration

Pin No.	Output	Pin No.	Output
1	+Vin	4	+Vout
2	-Vin	5	-Vout
3	R.C	6	Trim

■ External Output Trimming



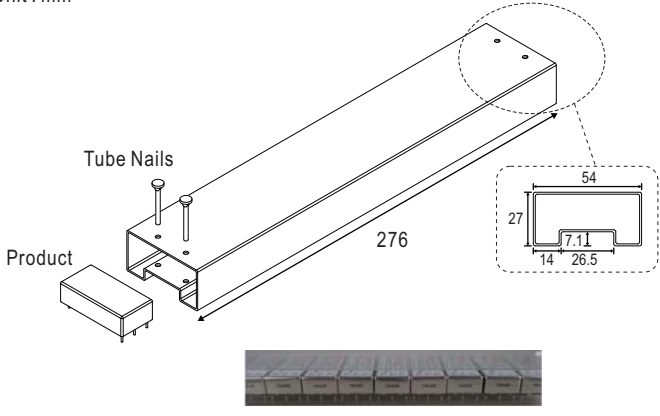

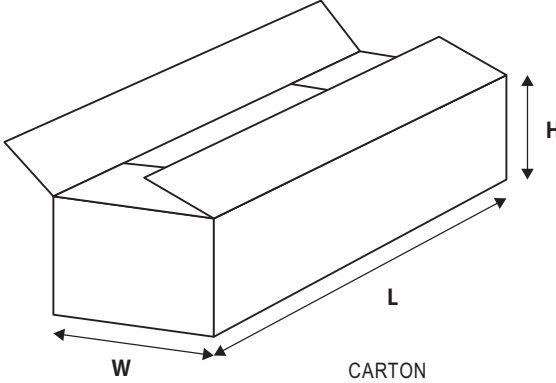
■ Derating Curve



NOTE

- All parameters are specified at normal input, rated load, 25°C 70% RH ambient.
 - Ripple & noise are measured at 20MHz by using a 12" twisted pair terminated with a 0.1uf & 47uf capacitor.
 - Line regulation is measured from low line to high line at rated load.
 - Load regulation is measured from 10% to 100% rated load.
 - Consult MEAN WELL for deployment of Class B.
 - Please prevent the converter from operating in overload or short circuit condition for more than 30 seconds.
- ※ Product Liability Disclaimer : For detailed information, please refer to <https://www.meanwell.com/serviceDisclaimer.aspx>

Packing

Standard Tube Packing	MPQ Per Tube (PCS)	One Tube G.W.	Max. Q'TY/ Carton(PCS)	One Carton G.W.
<p>Unit : mm</p>    <p>CARTON L600 x W230 x H220</p>	10	450g	320	15.2Kg

Installation Manual

Please refer to : <http://www.meanwell.com/manual.html>