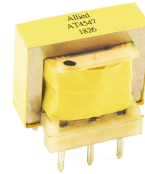




AUDIO TRANSFORMER

AT4547



- For Data/Voice Coupling Applications
- Operating Temp: 0°C to +105°C

Electrical Specifications @25°C

| Inductance @ 1KHz, 1.0V |               | Impedance @ 1KHz, 1V Pri<br>(Sec in parallel @ 330Ω) | Insertion Loss | Return Loss    | Freq. Response |
|-------------------------|---------------|--|----------------|----------------|----------------|
| 1 - 6                   | 3 - 4 = 2 - 5 | 1 - 6  | @ 1KHz         | @ 200Hz - 4KHz | @300Hz-3.5KHz  |
| 1.6H Ref                | 1.0H Ref      | 600Ω Ref   | 0.8dB Typ      | 30dB Typ       | ±1.0dB         |

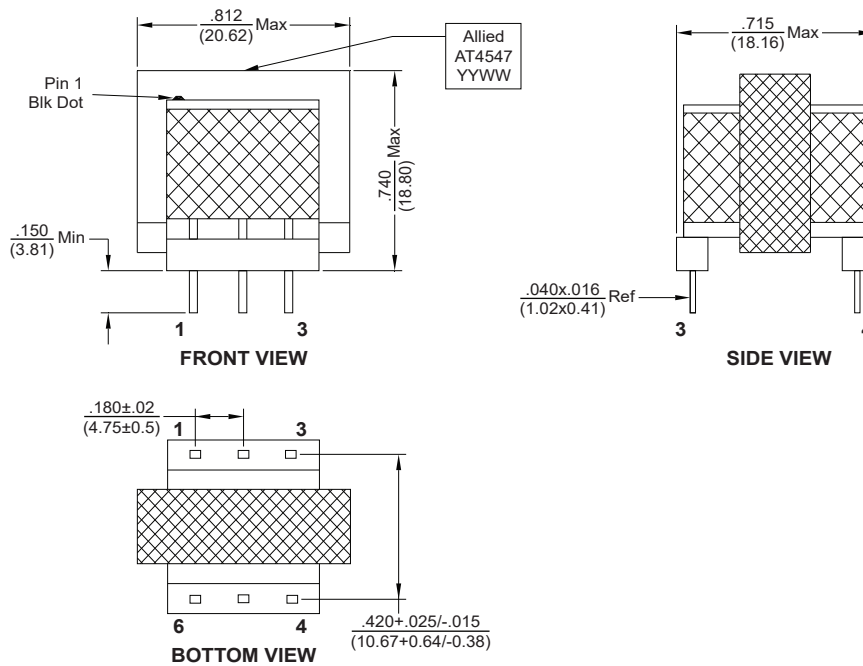
Electrical Specifications @25°C

| DC Resistance (Ω ±15%) |         |         | Turns Ratio (±3%)           | Hi-Pot / VAC / 1mA / 1Sec |          |
|------------------------|---------|---------|-----------------------------|---------------------------|----------|
| (1 - 6)                | (2 - 5) | (3 - 4) | (1 - 6) : (3 - 4) : (2 - 5) | Pri - Sec                 | Wdg-Core |
| 56.5                   | 40.7    | 40.7    | 1.35 : 1 : 1                | 1500                      | 1500     |

All specifications subject to change without notice.

MECHANICAL

Dimension:  $\frac{\text{inch}}{\text{(mm)}}$



SCHEMATICS

