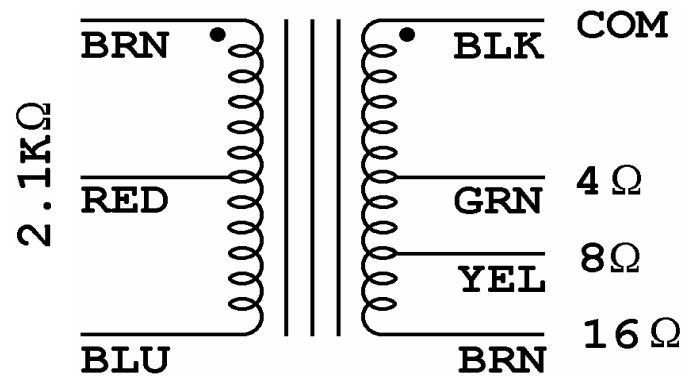
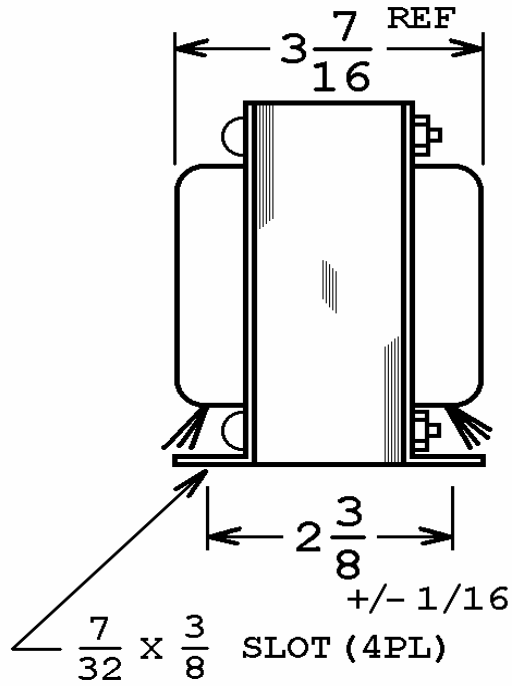
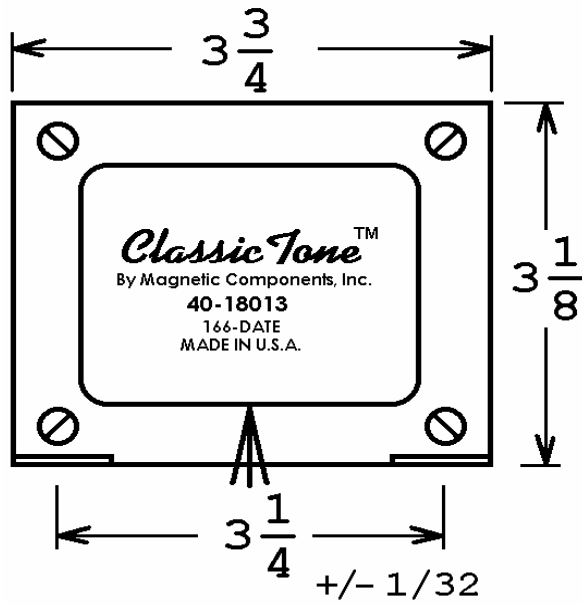


40-18013

This drawing is the property of Magnetic Components, Inc. and shall not be reproduced, in whole or in part, without the written permission of Magnetic Components, Inc.

REVISIONS			
LTR	DESCRIPTION	DATE	APPROVED
A	ADD PRIMARY IMPEDANCE	09/02/09	M.S.
B	ADD ClassicTone	01/07/10	M.S.



UNLESS OTHERWISE SPECIFIED ALL DIMENSIONS IN INCHES DO NOT SCALE DRAWING FRACTIONS +/- .X = +/- .XX = +/- .XXX = +/- ANGLES = +/-	SIGNATURES		DATE	MAGNETIC COMPONENTS, INC.	DIV : LOC : SCHILLER PK		
	DRAWN : <i>[Signature]</i>		07 AUG 09	TITLE 100W OUTPUT			
	CHECK :			CAGE 50508	SIZE A	PART No. 40-18013	REV B
	APPR : <i>[Signature]</i>		07 AUG 09	SCALE NONE	SHEET :		