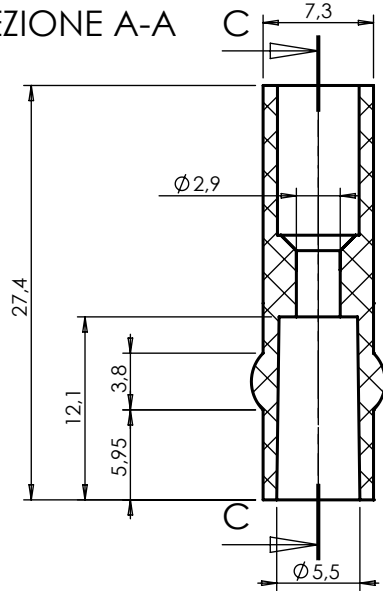
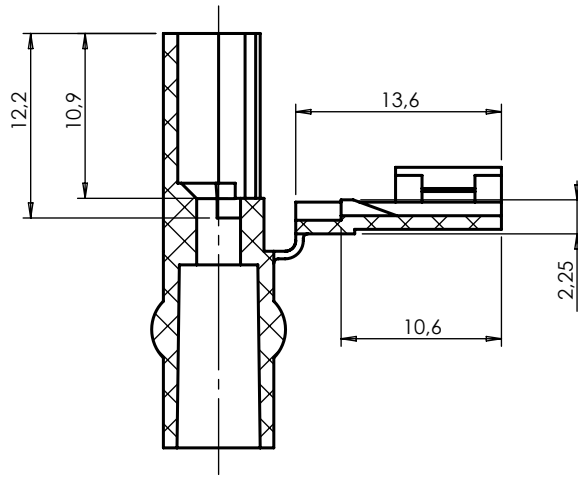


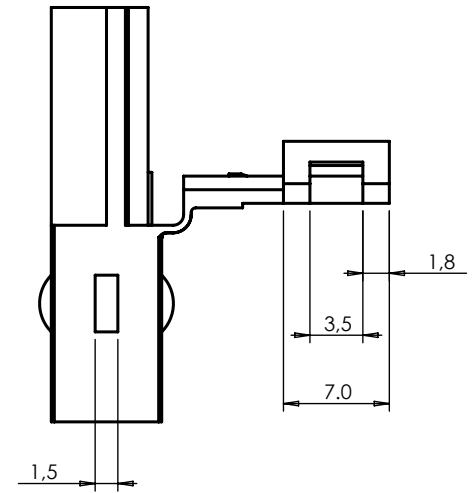
SEZIONE A-A



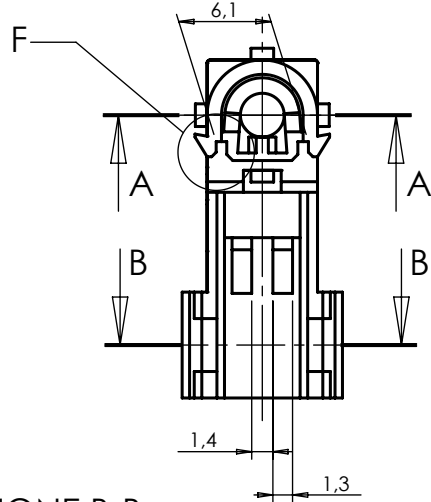
SEZIONE C-C



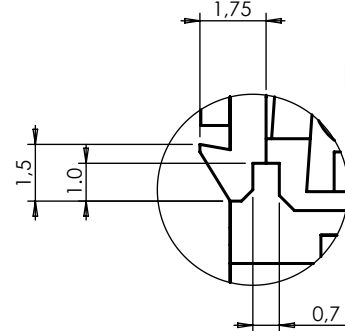
B



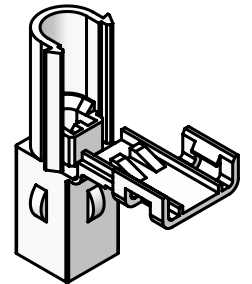
A

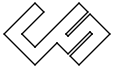


SEZIONE B-B



DETTAGLIO F
SCALA 5 : 1



INDEX	MODIFICATION	DATE
 <p>CS S.r.l. 20063 CERNUSCO S/N - VIA COMO, 11 TEL +39.02.9210.7404 - FAX +39.02.9210.0217 http://www.csconnectors.com - e-mail: info@csconnectors.com</p>		
CHECKED BY Stefano Galimberti	DATE 02-07-2015	DESIGN UNITS METRIC
DRAWN BY Luca Viscardi	DATE 02-07-2015	WEIGHT 0.97
CAD REFER C:\Users\lucav\Desktop\	SIZE A4	SCALE 2:1
INDEX 0 02-07-2015	DESCRIPTION	
BASE CODE CS-LK01.8F	One Way Up-Luk Male Connector (With TPA)	

DIMENSIONS WITHOUT TOLERANCES

A	0 - 6	±0.1
	6 - 30	±0.2
	> 30	±0.3

CS-LK01.8F	PA66 UL94 V-2
CS-LK01.8FV0	PA6/66 UL94 V-0
CS-LK01.8FSTY	PA46 UL94 V-2
CS-LK01.8FV0750NF	PA66 UL94 V-0 GWIT 775
CS-LK01.8F-G	PA6 UL94 V-2 GWIT 775
PART NUMBER	MATERIAL