

**Customer Part:**

**Description**

- Industry standard SMD package with 5.5mm lead spacing  
Suitable for real time clock applications  
Plastic encapsulated
- Model 85SMX
- Model Issue number 9

**Frequency Parameters**

- Frequency 32.7680kHz
- Frequency Tolerance ±20.00ppm
- Overtone Order Fundamental
- Ageing ±5ppm max per year @ 25°C

**Electrical Parameters**

- Load Capacitance (CL) 12.50pF
- Shunt Capacitance (C0) 1pF typ
- Drive Level 1.0µW max
- ESR 50.00kΩ max

**Environmental Parameters**

- Storage Temperature Range: -55 to 125°C
- Drop: 75cm drop (3 times) onto hard wooden board
- Vibration: 1.5mm amplitude, 10Hz-60Hz, 2-3mins in 3 mutually perpendicular planes, duration 2hrs each plane

**Manufacturing Details**

- Not suitable for use with ultrasonic cleaning techniques
- RoHS Terminations Matte Sn
- RoHS Reflow Temp 260°C 10s max

**Compliance**

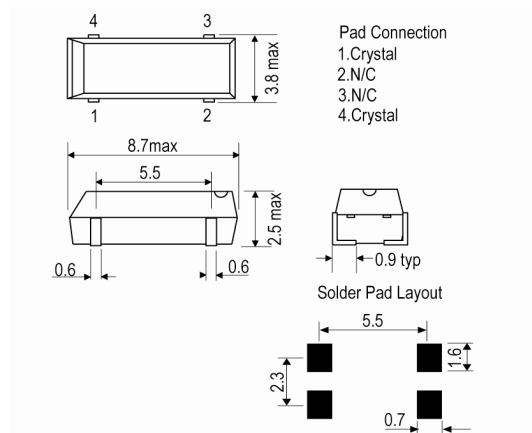
- RoHS Status (2015/863/EU) Compliant
- REACH Status Compliant
- MSL Rating (JDEC-STD-033): Not Applicable

**Packaging Details**

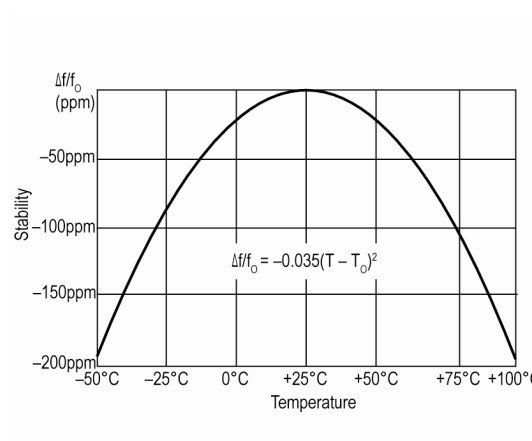
- Pack Style: Reel Tape & reel in accordance with EIA-481-D  
Pack Size: 3,000
- *Alternative packing option available*



**Outline (mm)**



**Typical Frequency Stability Characteristics**



**Sales Office Contact Details:**

UK: +44 (0)1460 270200  
USA: +1.760.318.2824

Email: [info@iqdfrequencyproducts.com](mailto:info@iqdfrequencyproducts.com)  
Web: [www.iqdfrequencyproducts.com](http://www.iqdfrequencyproducts.com)