

# INJ-24A Series

## Gigabit high power IEEE 802.3af/at PoE+ injectors



- > High power mode provides up to 60 W
- > DIP switch configurator and LED indicator for PoE management
- > 3kV surge resistance for harsh environments
- > Mode A and Mode B selectable for flexible installation
- > Built-in 24/48 VDC booster for redundant dual power inputs
- > -40 to 75°C operating temperature range (T model)



### Specifications

#### Technology

##### Standards:

IEEE 802.3af/at for Power-over-Ethernet  
 IEEE 802.3 for 10BaseT  
 IEEE 802.3u for 100BaseT(X)  
 IEEE 802.3ab for 1000BaseT(X)

##### Interface

**RJ45 Ports:** 10/100/1000BaseT(X) for PoE OUT and DATA IN

##### PoE Pinout:

Default: V+, V+, V-, V- for pin 4, 5, 7, 8 (Midspan, MDI, Mode B)  
 Custom DIP switch setting: V+, V+, V-, V- for pin 1, 2, 3, 6 (Endspan, MDI, Mode A)

**LED Indicators:** P1, P2, 802.3af/at, 4-pair

##### Power Requirements

**Input Voltage:** 24/48 (20 to 60 V) VDC, redundant dual inputs  
**Input Current:** Max. 3.72A @ 24 VDC (high power 4-pair mode)  
**Overload Current Protection:** Present  
**Connection:** 1 removable 4-contact terminal block  
**Reverse Polarity Protection:** Present

##### Physical Characteristics

**Housing:** Metal, IP30 protection  
**Dimensions:** 115 × 30.3 × 78.8 mm (4.53 × 1.19 × 3.10 in)  
**Weight:** 245 g

**Installation:** DIN-rail mounting, wall mounting (with optional kit)

##### Environmental Limits

##### Operating Temperature:

Standard Models: 0 to 60°C (32 to 140°F)  
 Wide Temp. Models: -40 to 75°C (-40 to 167°F)

**Storage Temperature:** -40 to 85°C (-40 to 185°F)

**Ambient Relative Humidity:** 5 to 95% (non-condensing)

##### Standards and Certifications

**Safety:** UL 508

**EMI:** FCC Part 15 Subpart B Class A, EN 55022 Class A

##### EMS:

EN 61000-4-2 (ESD) Level 3, EN 61000-4-3 (RS) Level 3,  
 EN 61000-4-4 (EFT) Level 3, EN 61000-4-5 (Surge) Level 3,  
 EN 61000-4-6 (CS) Level 3, EN 61000-4-8

**Shock:** IEC 60068-2-27

**Freefall:** IEC 60068-2-32

**Vibration:** IEC 60068-2-6

*Note: Please check Moxa's website for the most up-to-date certification status.*

##### MTBF (mean time between failures)

**Time:** 2,407,739 hrs

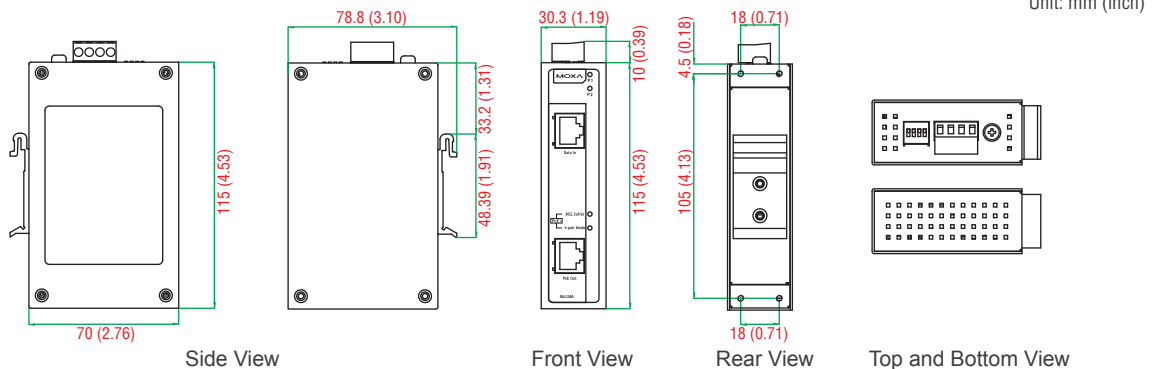
**Database:** Telcordia (Bellcore), GB

##### Warranty

**Warranty Period:** 5 years

**Details:** See [www.moxa.com/warranty](http://www.moxa.com/warranty)

### Dimensions



### Ordering Information

#### Available Models

**INJ-24A:** Gigabit high-power PoE+ injector, max. output of 60 W at 24/48 VDC, 0 to 60°C operating temperature

**INJ-24A-T:** Gigabit high power PoE+ injector, max. output of 60 W at 24/48 VDC, -40 to 75°C operating temperature

*Note: 60-watt PoE is not a standardized application. Check with Moxa for product compatibility before using 60-watt PoE.*

#### Package Checklist

- INJ-24A high power PoE+ injector
- Hardware installation guide (printed)
- Warranty card