



Main

Range of Product	Harmony GTUX
Product or Component Type	EXtreme touchscreen panel
Terminal type	Touchscreen display

Complementary

Pixel resolution	800 x 480
Touchscreen resolution	1024 x 1024
[Us] rated supply voltage	12...24 V DC power supply
Supply voltage limits	10.8...28.8 V
Power Consumption in W	12.5 W
Display size	7 inch
Aspect ratio	4:3
Display type	Colour TFT LCD
Display Resolution	800 x 480 pixels WVGA
Display colour	262144 colors
Luminance	92.90 fc (1000 cd/m ²)
Backlight lifespan	50000 hours
Touch panel	Single touch analogue resistive
Type of Installation	Outdoor
Type of cooling	Natural convection
Inrush current	30 A
Environmental characteristic	Corrosive gas free UV resistant
Cut-out dimensions	394 (+ 1/- 0) x 250 (+ 1/- 0) mm
Width	8.02 in (203.6 mm)
Height	5.85 in (148.6 mm)
Depth	1.46 in (37 mm)
Net Weight	2.87 lb(US) (1.3 kg)

Environment

IP degree of protection	IP66f IP67f Front panel Type 4X
Standards	UL 508 ANSI/ISA 12-12-01 Class I division 2 CSA C22.2 No 213 CSA C22.2 No 142 IEC 61132-2
Product Certifications	CULus RCM CE KC
Ambient air temperature for operation	-22...149 °F (-30...65 °C) EN 61131-2
Ambient air temperature for storage	-22...158 °F (-30...70 °C)
Pollution degree	2
Relative Humidity	10...90 % non-condensing
Operating altitude	6561.68 ft (2000 m)
Vibration resistance	7 mm constant amplitude 5...9 Hz) EN/IEC 61131-2 19.6 m/s ² 9...150 Hz) EN/IEC 61131-2
Shock resistance	392 m/s ² EN/IEC 61131-2
Electromagnetic compatibility	Electrostatic discharge immunity testlevel 3 EN/IEC 61000-4-2
Environmental characteristic	Corrosive gas free UV resistant

Ordering and shipping details

Category	22567 - MAGELIS HMI GTU
Discount Schedule	MC2
GTIN	3606489747947
Nbr. of units in pkg.	1
Package weight(Lbs)	3.32 lb(US) (1.504 kg)
Returnability	Yes
Country of origin	CN

Packing Units

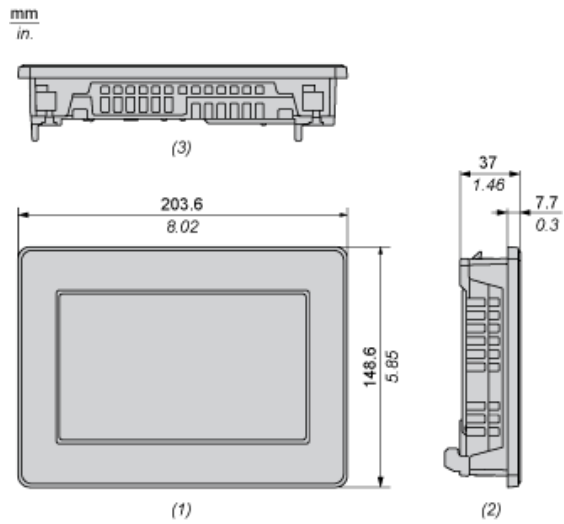
Unit Type of Package 1	PCE
Package 1 Height	5.16 in (131 mm)
Package 1 width	8.27 in (210 mm)
Package 1 Length	10.24 in (260 mm)
Unit Type of Package 2	S04
Number of Units in Package 2	4
Package 2 Weight	15.21 lb(US) (6.9 kg)
Package 2 Height	11.81 in (30 cm)
Package 2 width	15.75 in (40 cm)
Package 2 Length	23.62 in (60 cm)
Unit Type of Package 3	P12
Number of Units in Package 3	32
Package 3 Weight	154.09 lb(US) (69.892 kg)
Package 3 Height	53.15 in (135 cm)
Package 3 width	31.50 in (80 cm)
Package 3 Length	47.24 in (120 cm)

Offer Sustainability

California proposition 65	WARNING: This product can expose you to chemicals including: Lead and lead compounds, which is known to the State of California to cause cancer and birth defects or other reproductive harm. For more information go to www.P65Warnings.ca.gov
REACH Regulation	REACH Declaration
REACH free of SVHC	Yes
EU RoHS Directive	Pro-active compliance (Product out of EU RoHS legal scope) EU RoHS Declaration
Mercury free	Yes
RoHS exemption information	Yes
China RoHS Regulation	China RoHS Declaration

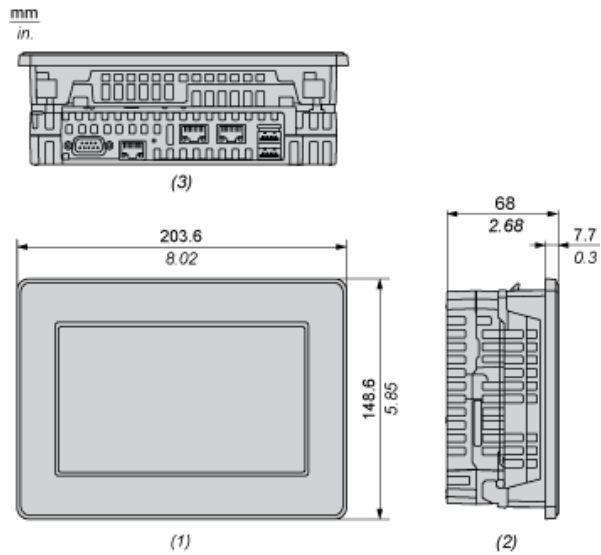
External Dimensions

Display Unit



- 1 : Front
- 2 : Left
- 3 : Bottom

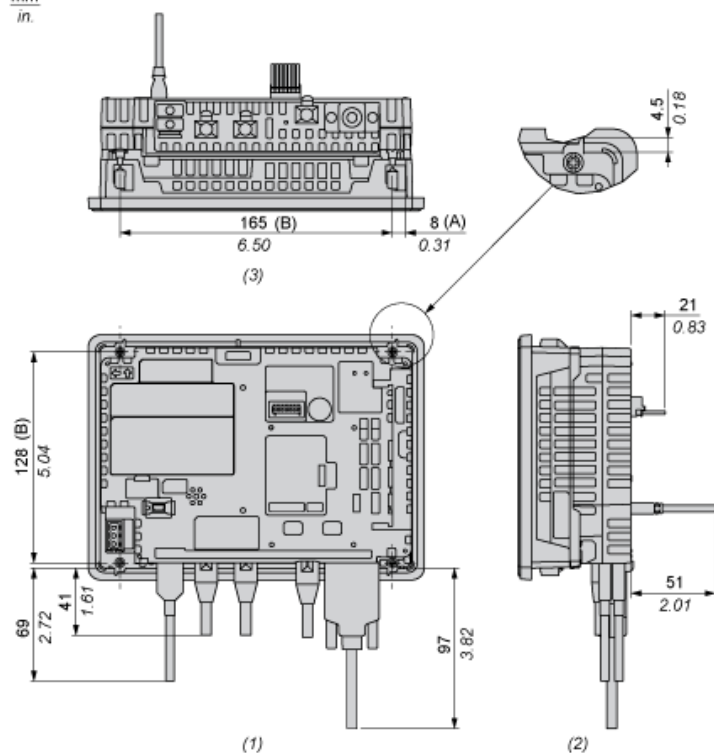
Display Unit with Box Module



- 1 : Front
- 2 : Left
- 3 : Bottom

Dimensions with Cables

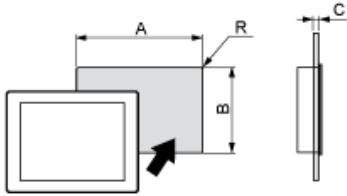
mm
in.



- (A) : Rotation area of the fastener
- (B) : Pitch of the enter of installation fastener screws
- 1 : Rear
- 2 : Right
- 3 : Bottom

Mounting and Clearance

Panel Cut Dimensions



Dimensions in mm

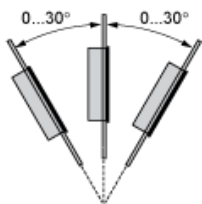
A	B	C	R
190 (+1/-0)	135 (+1/-0)	1.6...5	3 max.

Dimensions in in.

A	B	C	R
7.48 (+0.04/-0)	5.31 (+0.04/-0)	0.06...0.2	0.12 max.

Installation Requirements

Mounting Angle



When installing this product in a slanted position, the product face should not incline more than 30°.

Clearance

