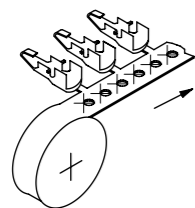


NOTE: INTER LEAF PAPER
BETWEEN LAYERS

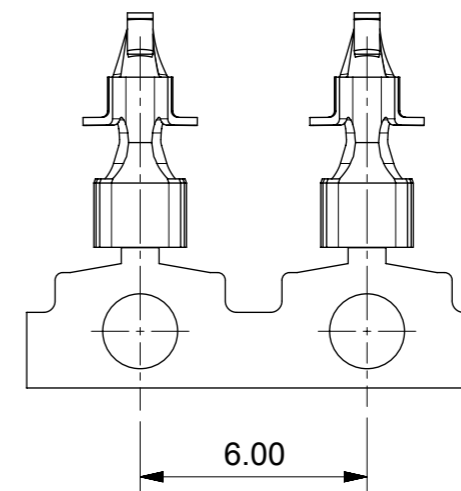
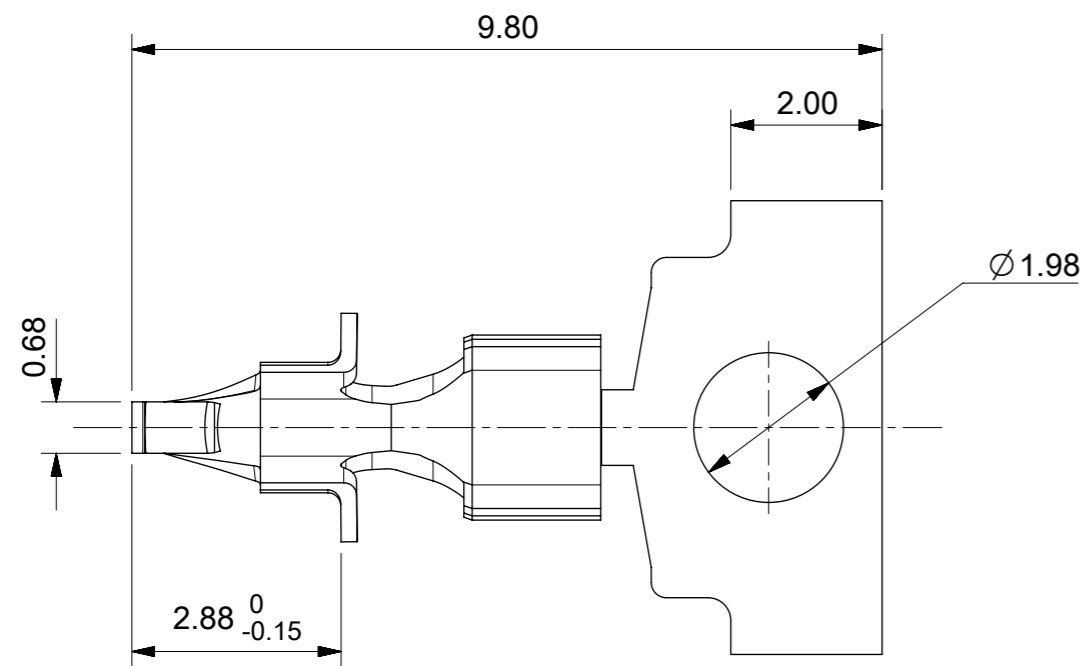


UNREELING DIRECTION
TO CUSTOMER

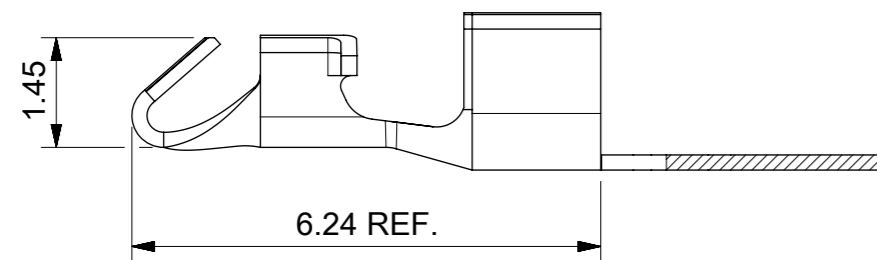
NOTES:

1. MATERIAL: 0.20 PHOS.BR. PER E.S. 99001-0545.
2. PLATING: HOT TIN DIP 1.0µm - 2.5µm
3. TERMINAL WILL ACCOMODATE
22 AWG SOLID OR FUSED WIRE
24 AND 26 AWG SOLID, STRANDED OR FUSED WIRE
WIRE 1.52 MAX. INSULATION DIA.
4. P.C.B. MOUNTING HOLE:
22 AWG DIA 1.23/1.30
24 AND 26 AWG DIA 1.17/1.25
5. MAX. PCB THICKNESS 1.57±0.20

SYMBOLS	THIS DRAWING CONTAINS INFORMATION THAT IS PROPRIETARY TO MOLEX ELECTRONIC TECHNOLOGIES, LLC AND SHOULD NOT BE USED WITHOUT WRITTEN PERMISSION		CURRENT REV DESC: CAD MIGRATIONREMASTER MODELS AND DRAWINGS		molex			
	DIMENSION UNITS	SCALE						EC NO: 635385
▽ = 0	mm	10:1	GENERAL TOLERANCES (UNLESS SPECIFIED)			PCM CRIM TERM BRD-IN STAND ALONE 1TNL		
▽ = 0	ANGULAR TOL ± 0.5°		INITIAL REVISION:			PRODUCT CUSTOMER DRAWING		
▽ = 0	4 PLACES ±		DRWN: MC 1988/10/03			DOCUMENT NUMBER		
▽ = 0	3 PLACES ±		APPR: MWILHITE 1996/07/22			SD-90198		
▽ = 0	2 PLACES ± 0.2		MATERIAL NUMBER			DOC TYPE DOC PART REVISION		
▽ = 0	1 PLACE ± 0.38		SERIES			PSD 001 N1		
▽ = 0	0 PLACES ±		CUSTOMER			GENERAL MARKET		
□ = 0	DRAFT WHERE APPLICABLE MUST REMAIN WITHIN DIMENSIONS		THIRD ANGLE PROJECTION		DRAWING	SHEET NUMBER	SHEET NUMBER	
▽ = 0			A3-SIZE		90198	901980001		1 OF 2



SCALE 5:1



NOTES:

1. MATERIAL: 0.20 PHOSPHOR BRONZE
2. PLATING: HOT TIN DIP
3. TERMINAL WILL ACCOMODATE
22 AWG SOLID OR FUSED WIRE
24 AND 26 AWG SOLID, STRANDED OR FUSED WIRE
WIRE 1.52 MAX. INSULATION DIA.
4. P.C.B. MOUNTING HOLE:
22 AWG DIA 1.23/1.30
24 AND 26 AWG DIA 1.17/1.25
5. MAX. PCB THICKNESS 1.19±0.20

SYMBOLS	THIS DRAWING CONTAINS INFORMATION THAT IS PROPRIETARY TO MOLEX ELECTRONIC TECHNOLOGIES, LLC AND SHOULD NOT BE USED WITHOUT WRITTEN PERMISSION		
	DIMENSION UNITS	SCALE	CURRENT REV DESC: CAD MIGRATIONREMASTER MODELS AND DRAWINGS
▽ = 0	mm	10:1	EC NO: 635385 DRWN: CRAODOREMS 2019/12/19 CHK'D: CRAODOREMS 2020/04/07 APPR: JKLECHA 2020/04/20
▽ = 0	GENERAL TOLERANCES (UNLESS SPECIFIED)		
▽ = 0	ANGULAR TOL ± 0.5°		INITIAL REVISION: DRWN: CTOBIN 1998/07/06 APPR: MWILHITE 1998/07/06
▽ = 0	4 PLACES	±	
▽ = 0	3 PLACES	±	DOCUMENT NUMBER SD-90198
▽ = 0	2 PLACES	± 0.2	
▽ = 0	1 PLACE	± 0.38	DOC TYPE PSD
▽ = 0	0 PLACES	±	DOC PART 001
□ = 0	DRAFT WHERE APPLICABLE MUST REMAIN WITHIN DIMENSIONS		REVISION N1
▽ = 0	THIRD ANGLE PROJECTION	DRAWING	SHEET NUMBER 2 OF 2
		A3-SIZE	MATERIAL NUMBER 901980002
		SERIES 90198	CUSTOMER GENERAL MARKET

molex

PCM CRIM TERM BRD-IN
STAND ALONE 1TNL

PRODUCT CUSTOMER DRAWING