



48.26 MHz Crystal Band Pass Filter

Part Number: AM48CR356



Electrical Specifications

Center Frequency (Fo): 48.26 MHz
3dB Bandwidth: ±25 kHz from Fo
Insertion Loss: 3 dB Max
Ripple: 1 dB Max, 0.5 dB Typical
Rejection: >60 dB @ 48.1 MHz
 >60 dB @ 48.9 MHz
Input Power: 0 dBm Max without distortion
Impedance: 50 Ω

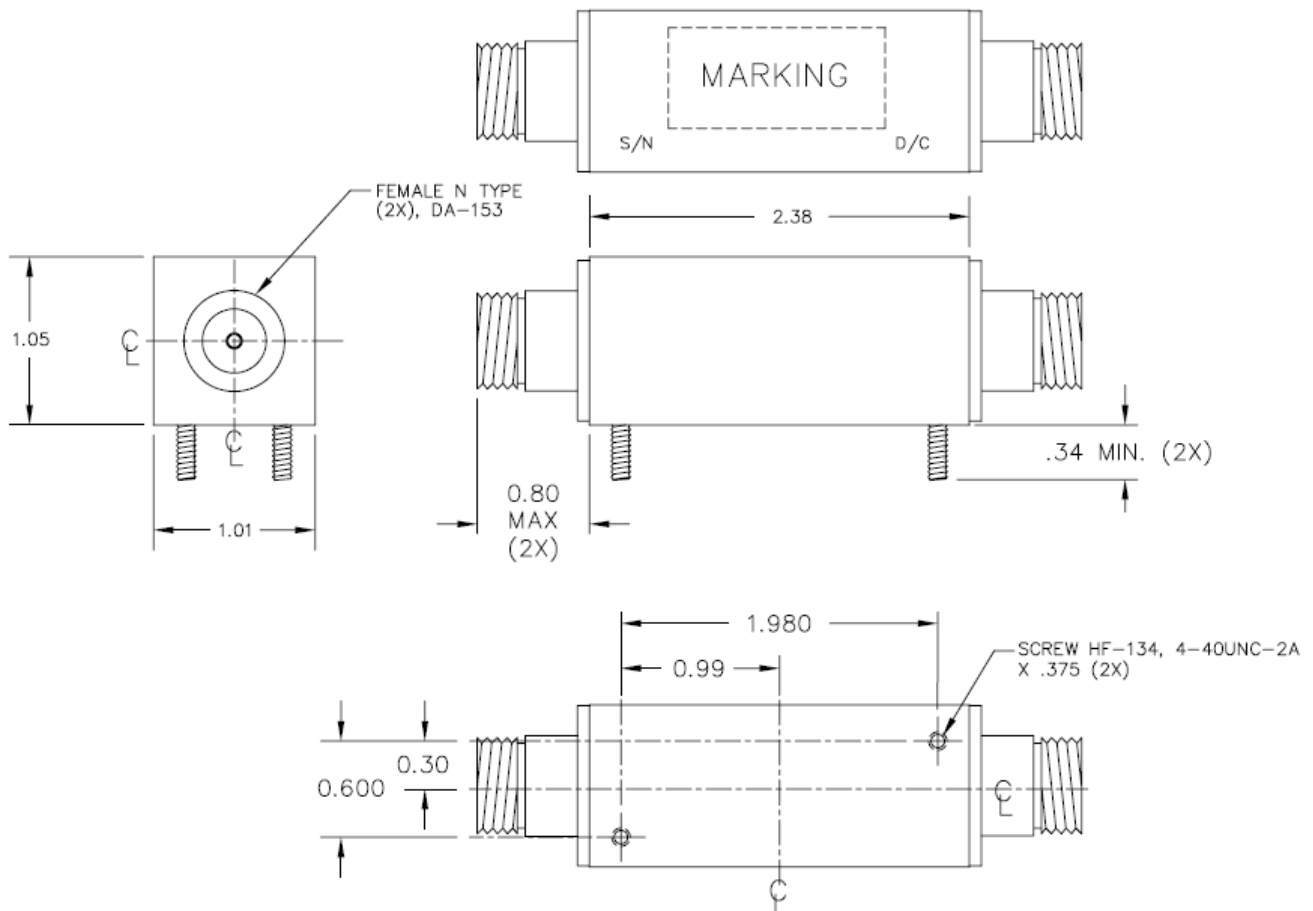
Mechanical

Connector Type: N-Type (F)
Dimensions: 2.38 x 1.05 x 1.01 Inches

Environmental

Operating Temperature: -30 to +75° C
Storage Temperature: -45 to +85° C

Outline Drawing:



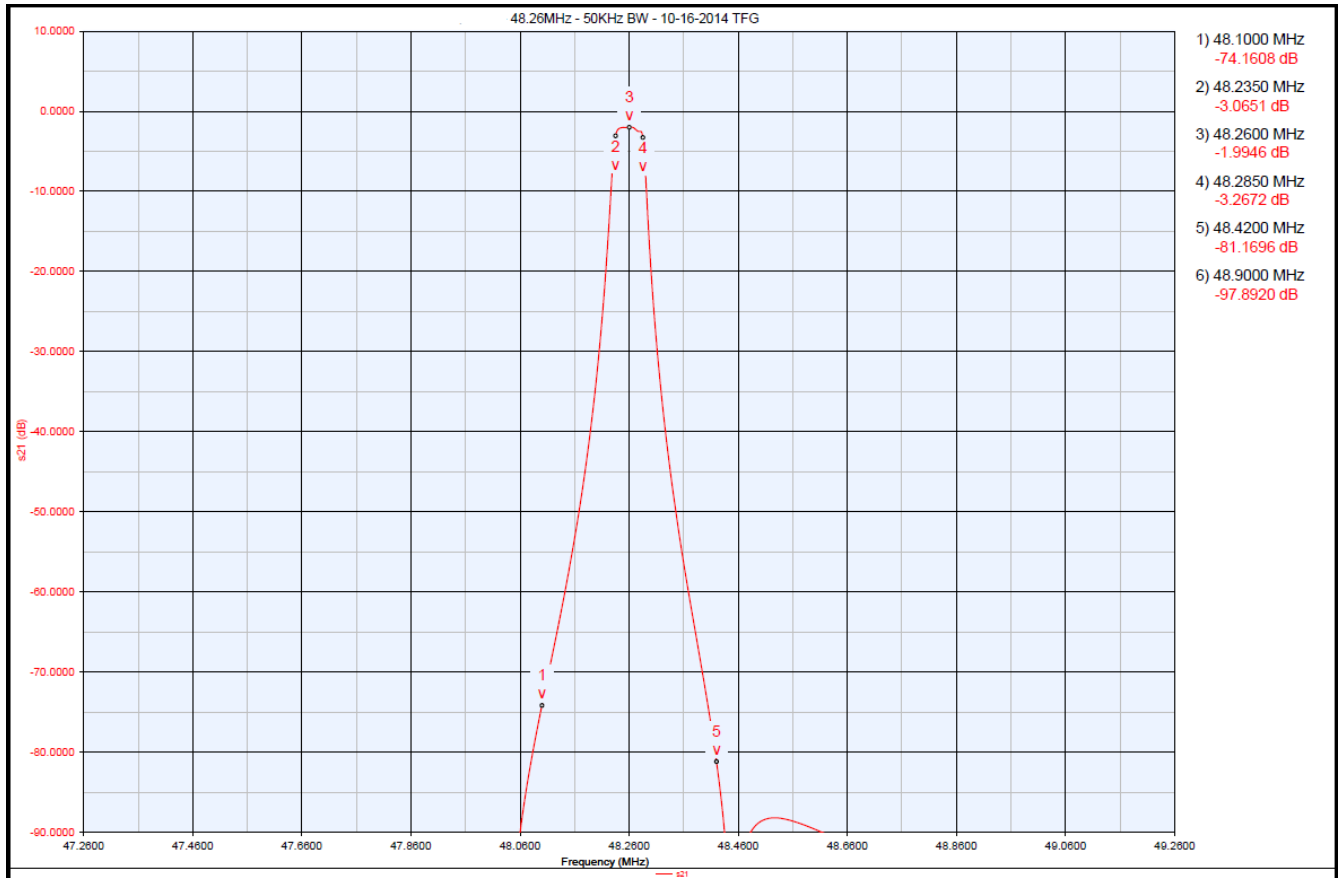


48.26 MHz Crystal Band Pass Filter

Part Number: AM48CR356



Response Plot:





48.26 MHz Crystal Band Pass Filter

Part Number: AM48CR356



Response Plot:

