

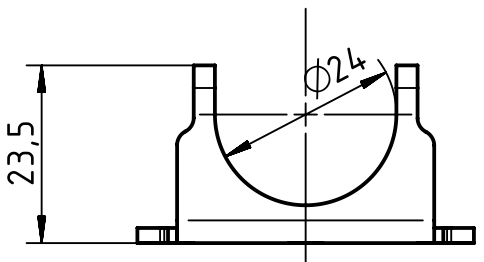
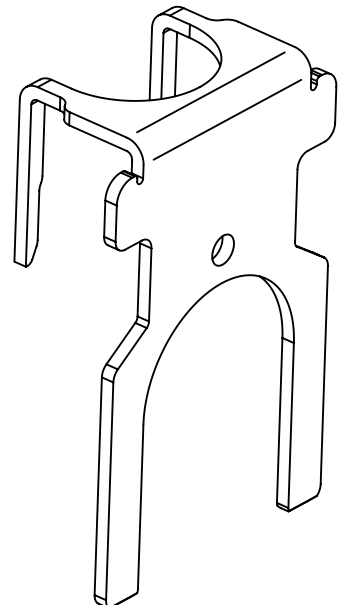
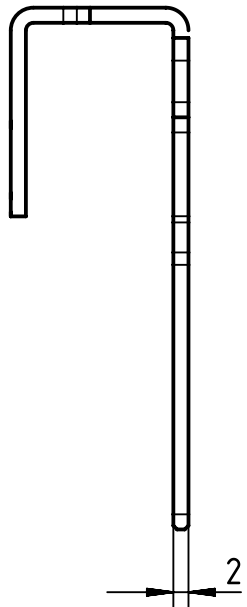
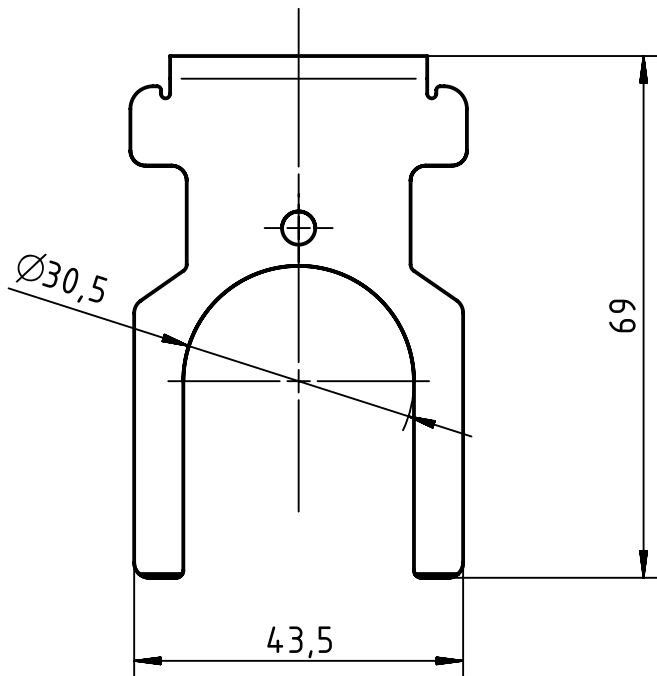
1 2 3 4 5 6


A

B

C

D



	All rights reserved Department EL PD - DE		Created by MOELLERLI	Inspected by SCHLEGEL	Standardisation SCHMIDTM	Date 2013-10-02	State Final Release	
	HARTING Electric GmbH & Co. KG D-32339 Espelkamp		Title removal tool HC-Individual				Doc-Key / ECM-Nr. 100229716/UGD/003/B 500000066925	
			Type TB	Number 09 99 000 0826			Rev. B	Page 1/1