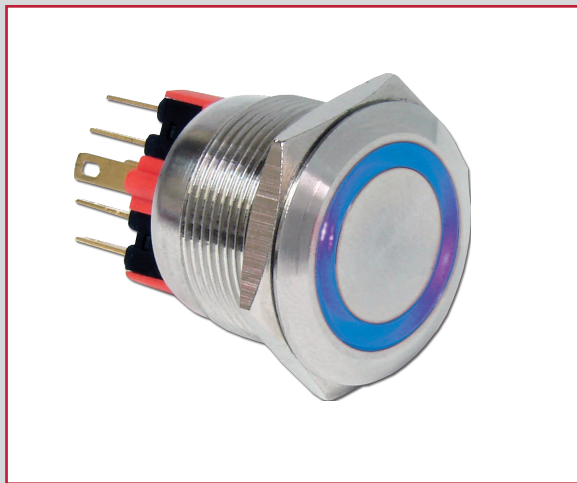


# PV7 SERIES ANTI-VANDAL SWITCH

ANTI-VANDAL SWITCHES  
DETECTOR SWITCHES  
DIP SWITCHES  
KEYLOCK SWITCHES  
NAVIGATION SWITCHES  
PUSHBUTTON SWITCHES  
ROCKER SWITCHES  
ROTARY SWITCHES  
SLIDE SWITCHES  
SNAP ACTION SWITCHES  
TACTILE SWITCHES  
TOGGLE SWITCHES  
CAP OPTIONS



## APPLICATIONS / MARKETS



## SPECIFICATIONS

**Electrical Rating:** 2A, 48VDC  
**Electrical Life:** 50,000 Cycles  
**Contact Resistance:** 50mΩ Max.  
**Insulation Resistance:** 1000 MΩ Min. @ 500VDC  
**Dielectric Strength:** 2,000VAC  
**Operating/Storage Temperature:** -20°C to 55°C  
**Travel:** 2.20mm  
**Moisture Protection:** IP65  
**Contact Arrangement:** SPDT  
**Actuation Force:** 4 N  
**Panel Thickness:** 1-8mm for Y Function  
 1-12mm for T function  
**Mounting Nut Torque:** 5-14Nm

## FEATURES & BENEFITS

- 22mm diameter panel cutout
- RGB LED option
- Dot, ring or power symbol illumination available
- Multiple function options
- IP65 rated
- SPDT
- Soldered wire leads (300mm long) optional

## PART NUMBER CONFIGURATOR

Series	Actuator Options	Terminal Options	Function Options	Rating Options	Body Finish Options	Actuator Finish Options	Lens Style Options	LED-Color Options	Illumination Voltage Options	Graphic (Optional)
<input type="text" value="PV7"/>	<input type="text" value="F - Flat"/>	<input type="text" value="2 - Solder&lt;br/&gt;W - Wire Leads&lt;br/&gt;300mm long"/>	<input type="text" value="T -&lt;br/&gt;1 Pole&lt;br/&gt;Off - On&lt;br/&gt;1 Pole&lt;br/&gt;On - Off&lt;br/&gt;Y -&lt;br/&gt;1 Pole&lt;br/&gt;Off - (On)&lt;br/&gt;1 Pole&lt;br/&gt;On - (Off)"/>	<input type="text" value="0 - 2A,&lt;br/&gt;48VDC"/>	<input type="text" value="S - Stainless&lt;br/&gt;Steel&lt;br/&gt;1 - Black&lt;br/&gt;Anodized"/>	<input type="text" value="S - Stainless&lt;br/&gt;Steel&lt;br/&gt;1 - Black&lt;br/&gt;Anodized"/>	<input type="text" value="NONE - Non-&lt;br/&gt;Illuminated&lt;br/&gt;2 - Dot&lt;br/&gt;Illumination&lt;br/&gt;3 - Ring&lt;br/&gt;Illumination"/>	<input type="text" value="NONE - Non-&lt;br/&gt;Illuminated&lt;br/&gt;0 - White&lt;br/&gt;1 - Red&lt;br/&gt;2 - Orange&lt;br/&gt;3 - Green&lt;br/&gt;4 - Blue&lt;br/&gt;5 - Yellow&lt;br/&gt;F - Red/Orange&lt;br/&gt;G - Red/Green&lt;br/&gt;H - Red/Blue&lt;br/&gt;J - Red/Yellow&lt;br/&gt;K - Orange/Green&lt;br/&gt;L - Orange/Blue&lt;br/&gt;M - Orange/Yellow&lt;br/&gt;R - RGB LED"/>	<input type="text" value="NONE - Non-&lt;br/&gt;Illuminated&lt;br/&gt;1 - Base Voltage&lt;br/&gt;3 - 6V&lt;br/&gt;4 - 12V&lt;br/&gt;5 - 24V&lt;br/&gt;6 - 125V&lt;br/&gt;7 - 250V"/>	<input type="text" value="M01 - Power&lt;br/&gt;symbol (sm)&lt;br/&gt;laser etched&lt;br/&gt;M03 - Power&lt;br/&gt;symbol&lt;br/&gt;illuminated&lt;br/&gt;M16 - Power&lt;br/&gt;symbol (lg)&lt;br/&gt;laser etched"/>

NOTES:  
 \*( ) denotes function is momentary

Specifications subject to change without notice 5.19.2021



**E-SWITCH®**

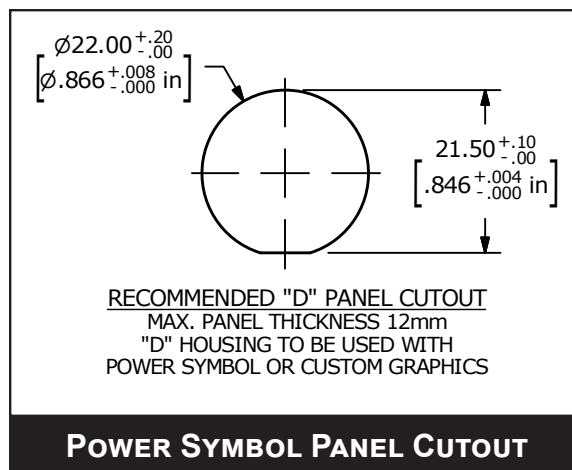
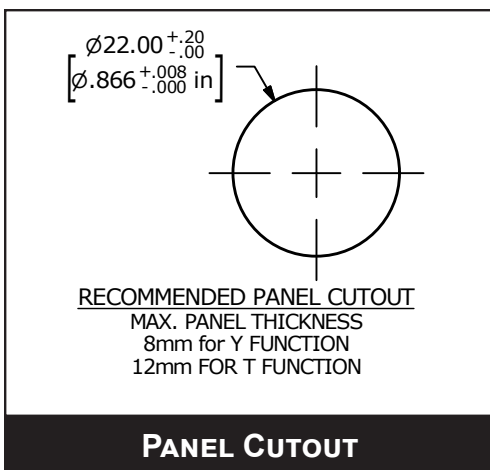
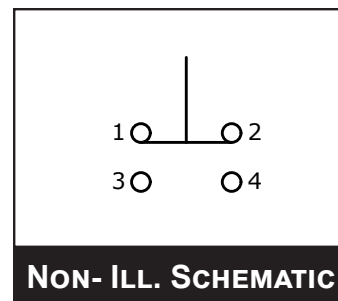
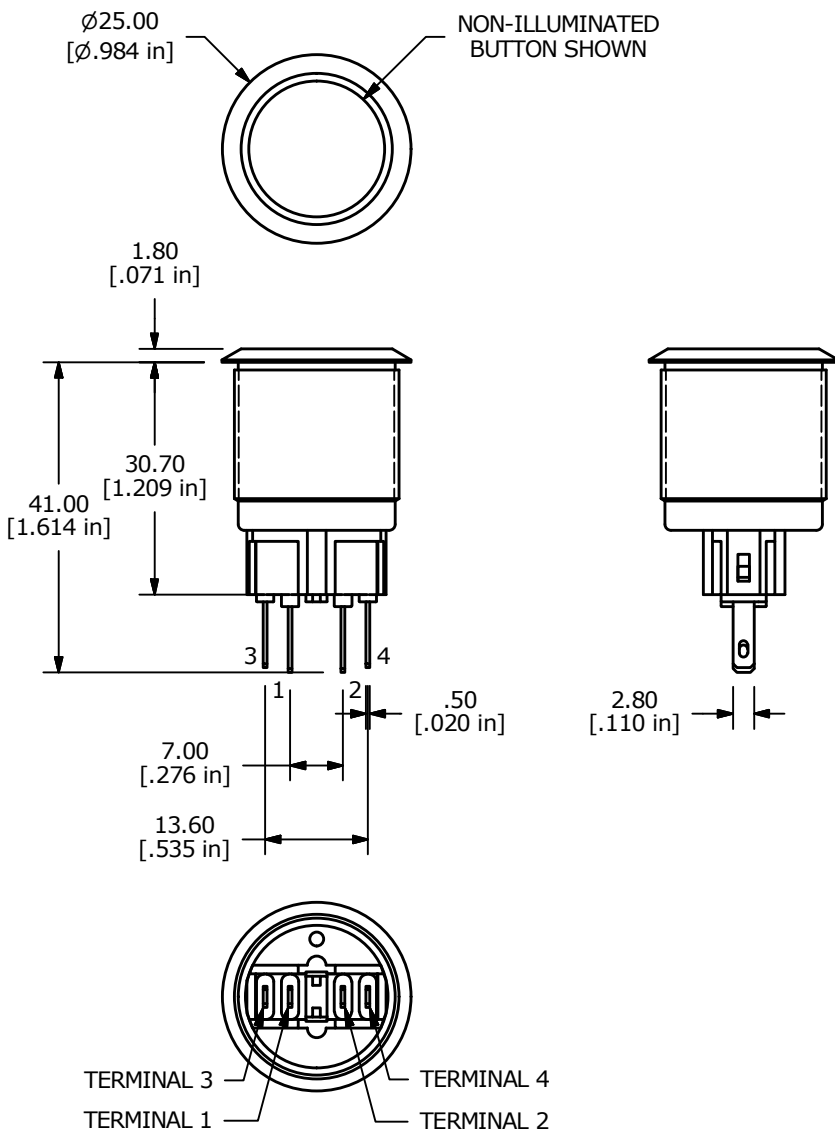
www.e-switch.com

800.867.2717

1

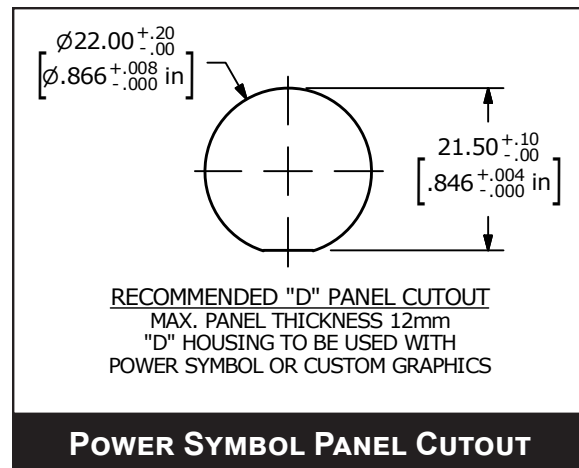
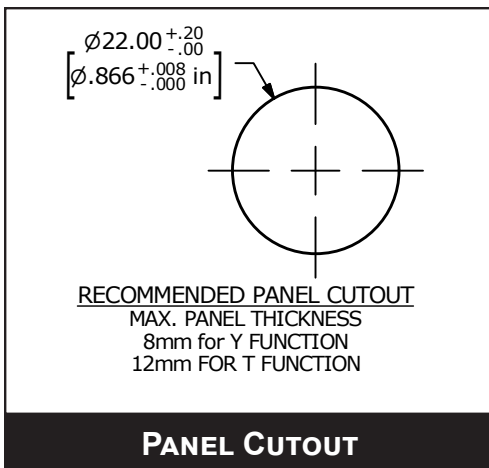
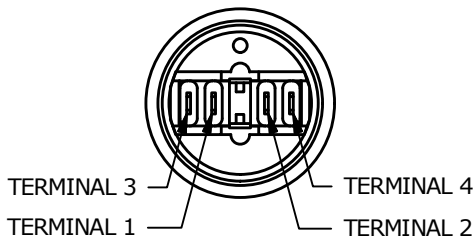
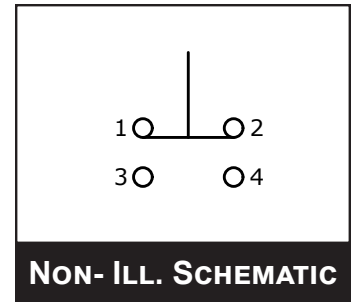
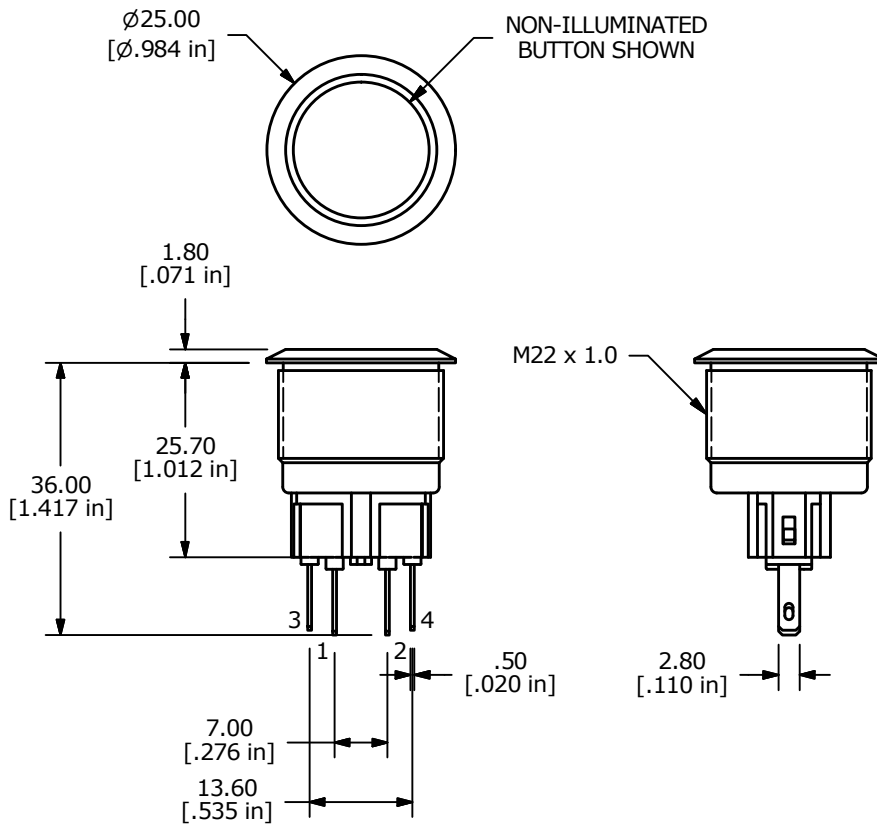
# PV7 SERIES ANTI-VANDAL SWITCH

## NON ILLUMINATED T FUNCTION



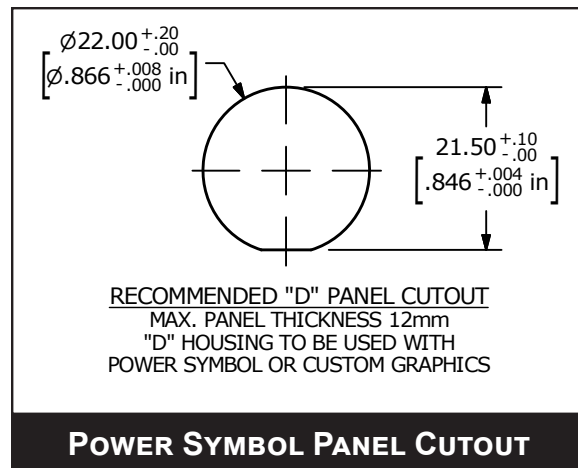
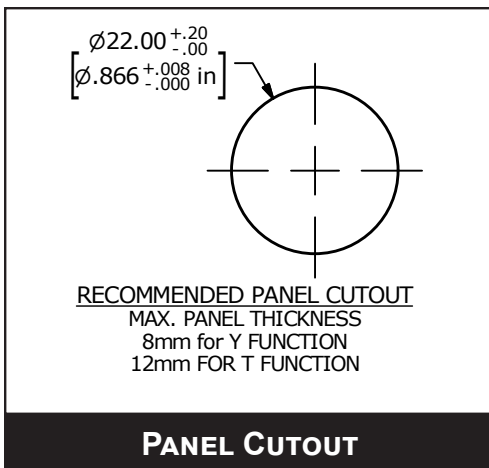
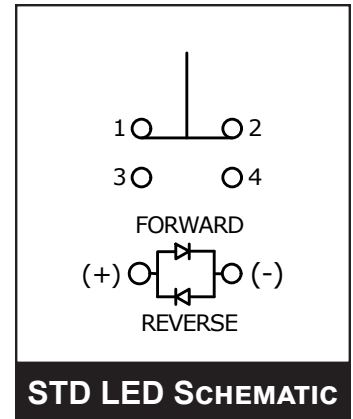
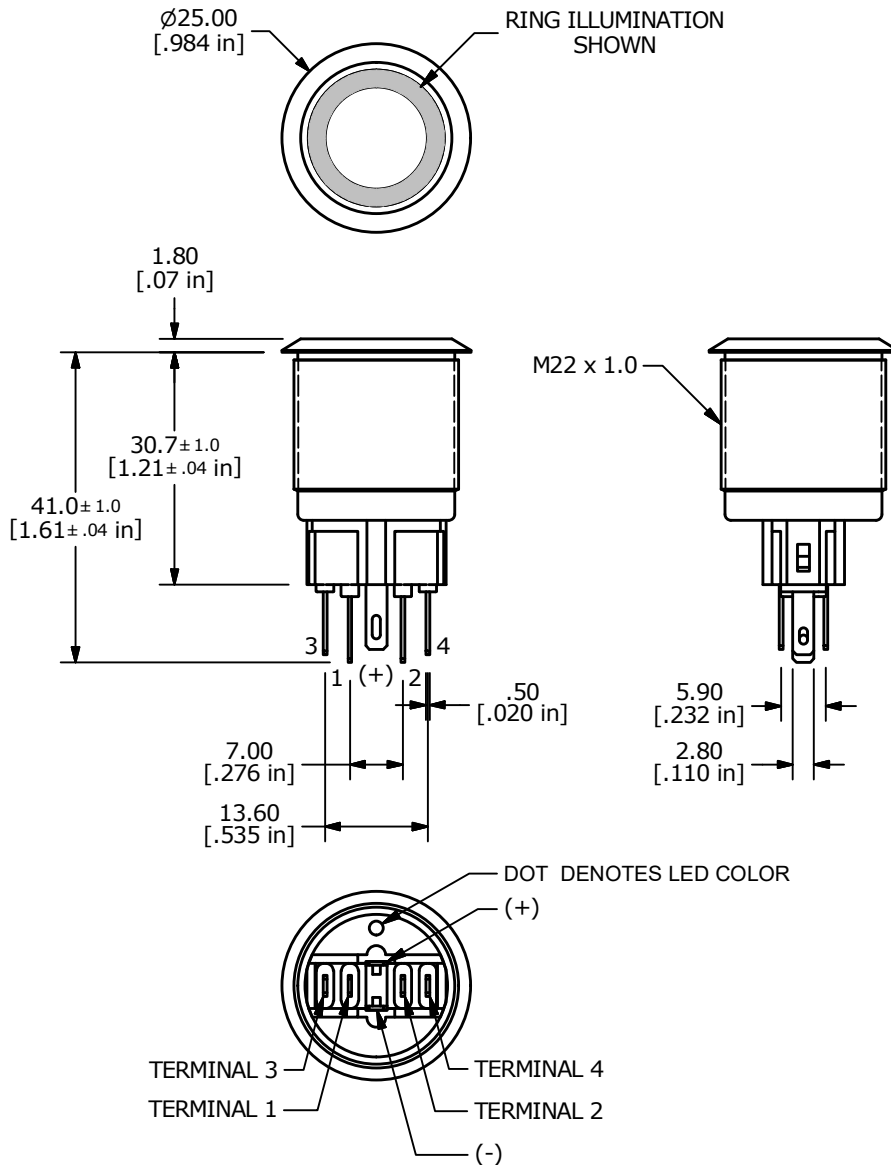
# PV7 SERIES ANTI-VANDAL SWITCH

## NON ILLUMINATED Y FUNCTION



# PV7 SERIES ANTI-VANDAL SWITCH

## STANDARD LED T FUNCTION

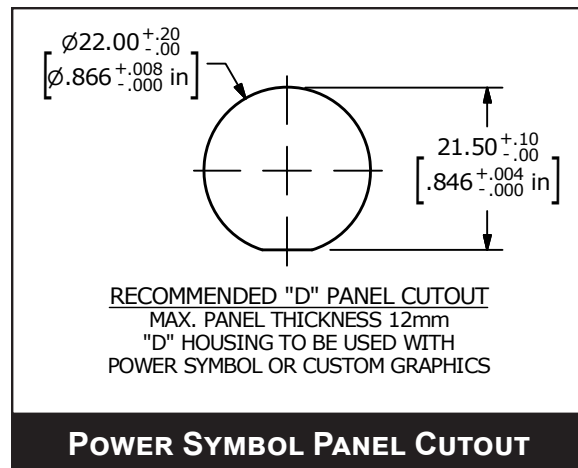
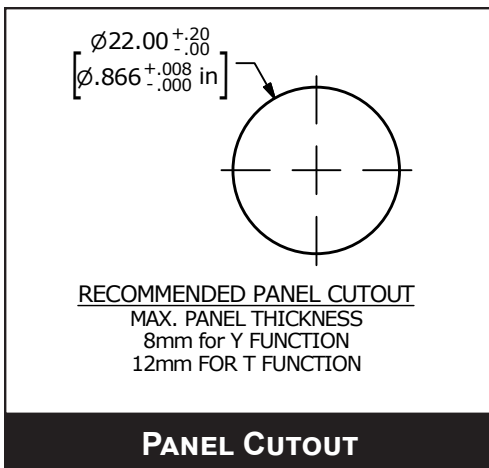
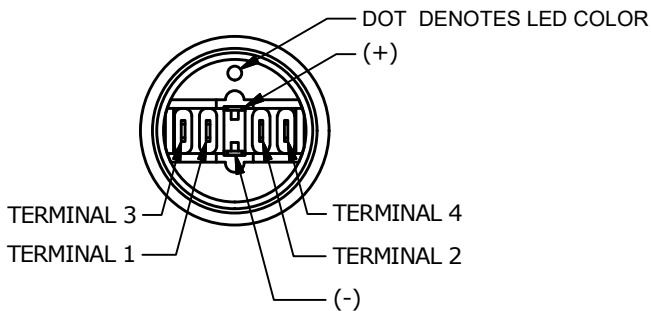
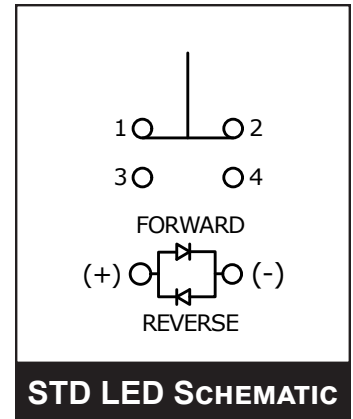
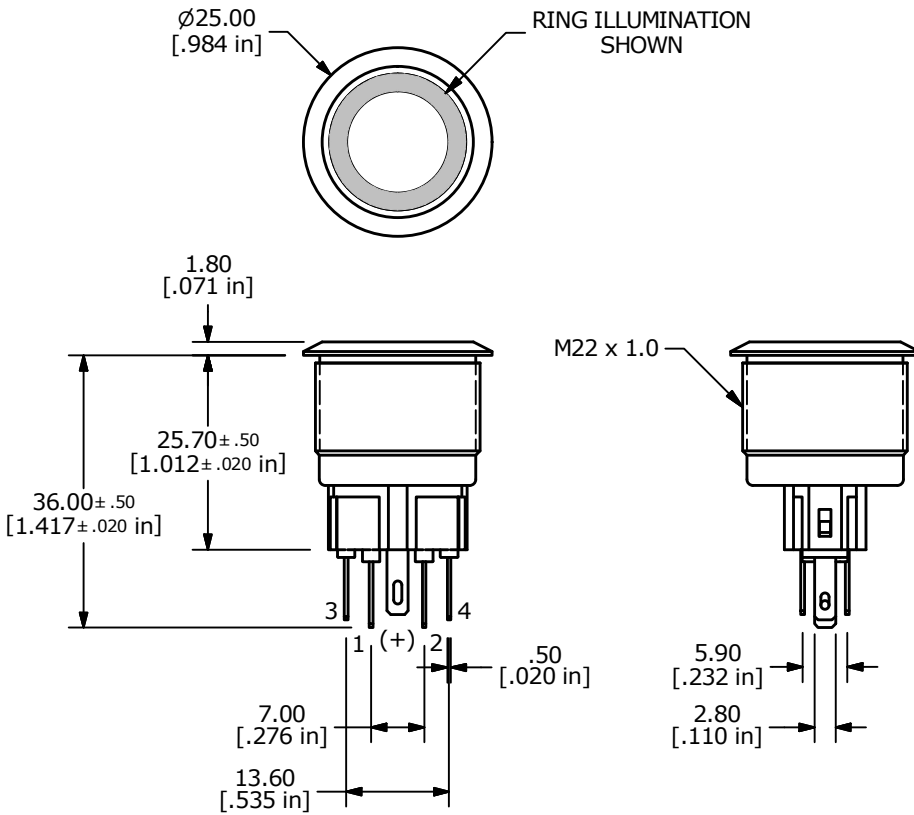


ANTI-VANDAL SWITCHES  
DETECTOR SWITCHES  
DIP SWITCHES  
KEYLOCK SWITCHES  
NAVIGATION SWITCHES  
PUSHBUTTON SWITCHES  
ROCKER SWITCHES  
ROTARY SWITCHES  
SLIDE SWITCHES  
SNAP ACTION SWITCHES  
TACTILE SWITCHES  
TOGGLE SWITCHES  
CAP OPTIONS



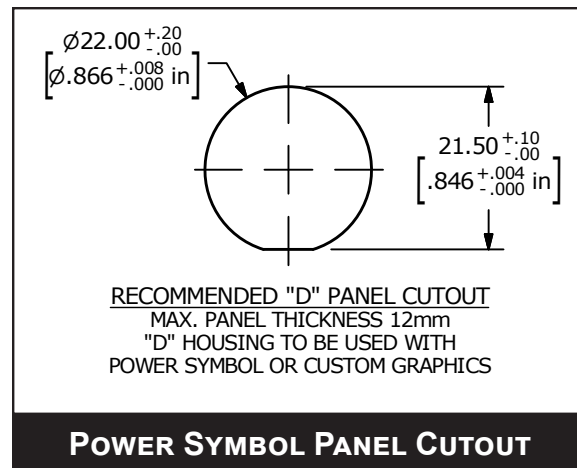
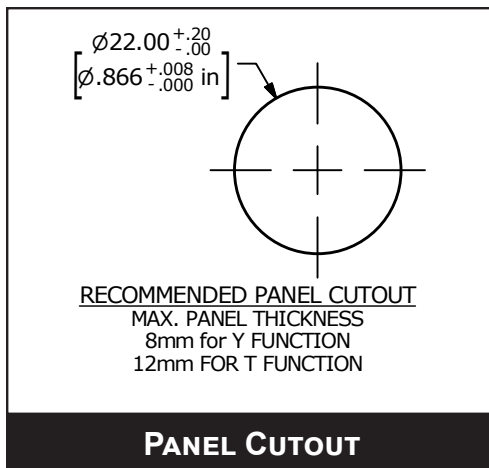
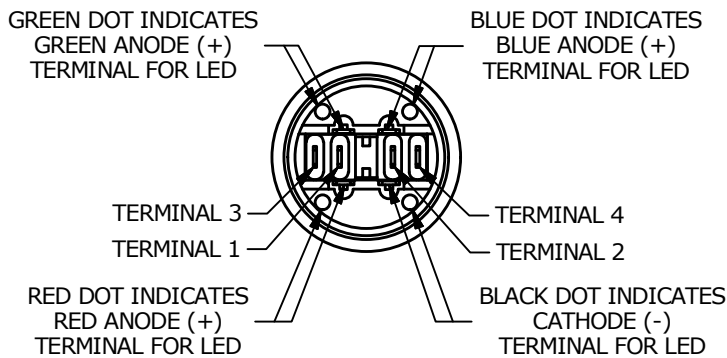
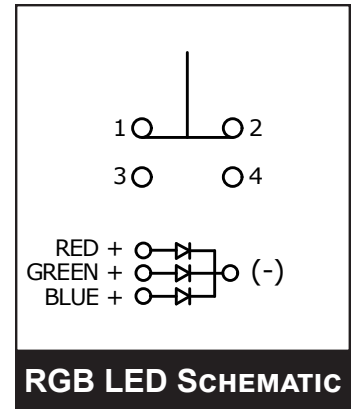
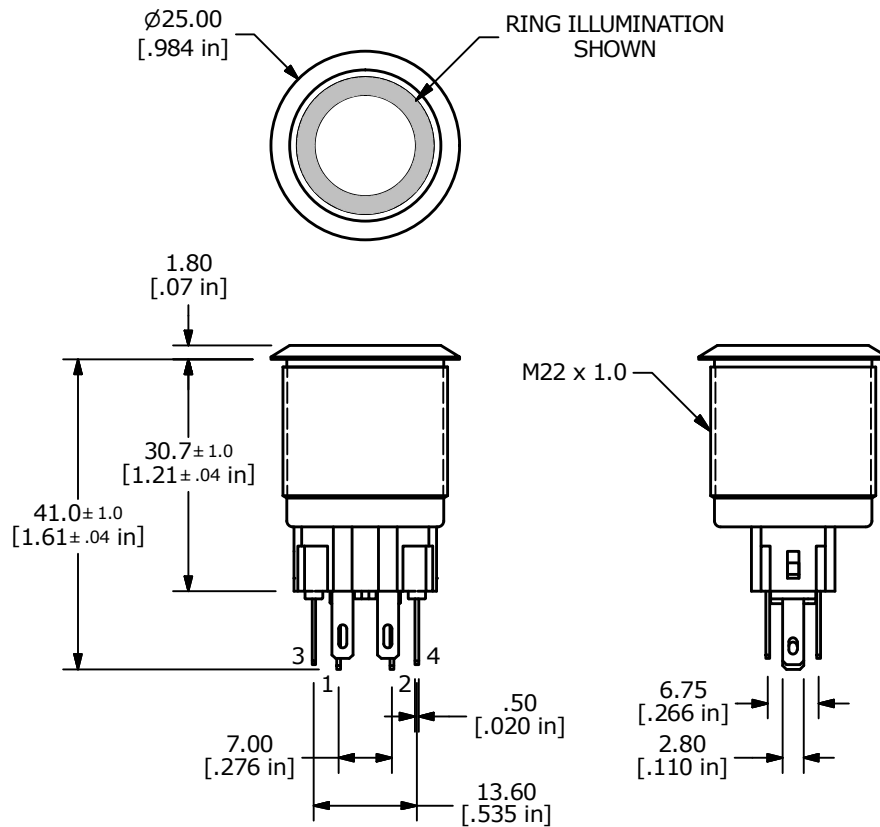
# PV7 SERIES ANTI-VANDAL SWITCH

## STANDARD LED Y FUNCTION



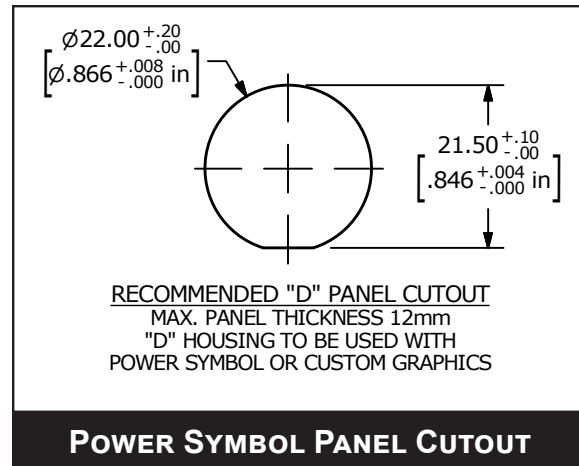
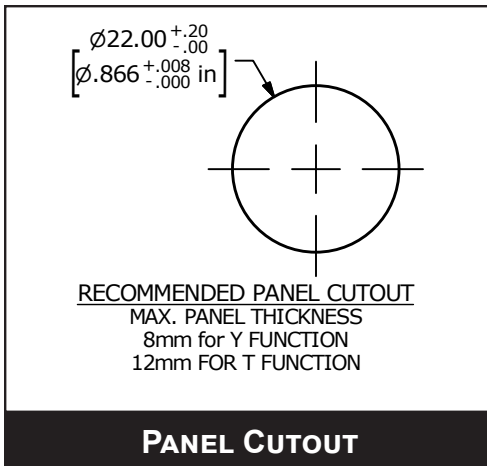
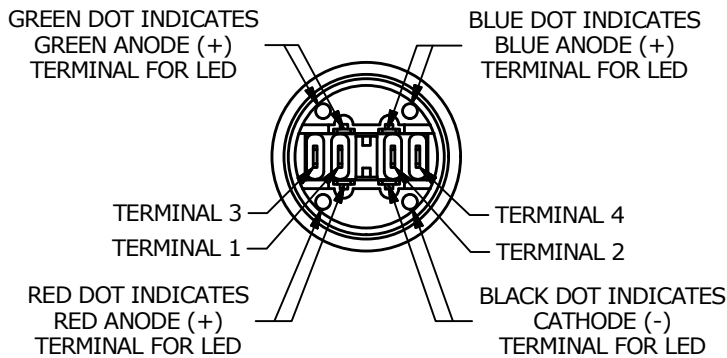
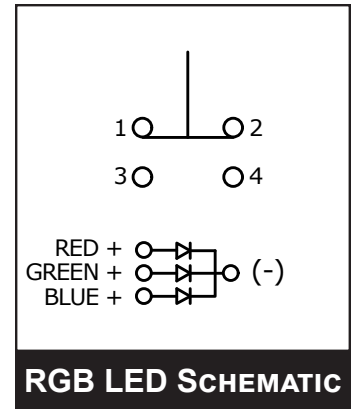
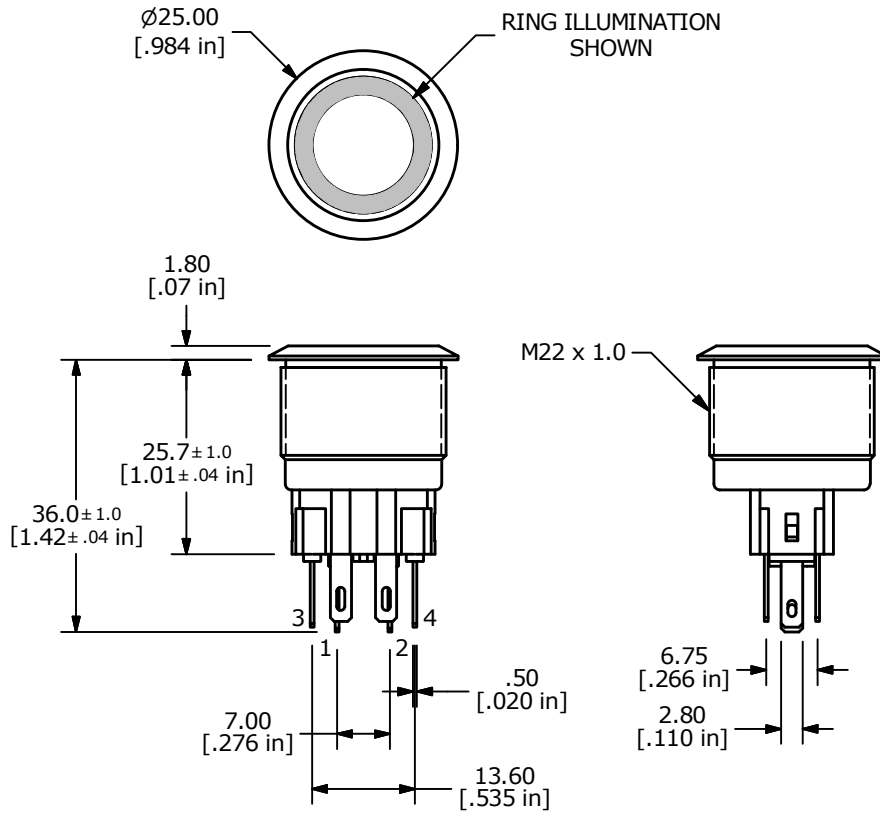
# PV7 SERIES ANTI-VANDAL SWITCH

## RGB LED T FUNCTION



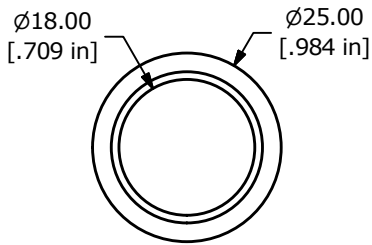
# PV7 SERIES ANTI-VANDAL SWITCH

## RGB LED Y FUNCTION

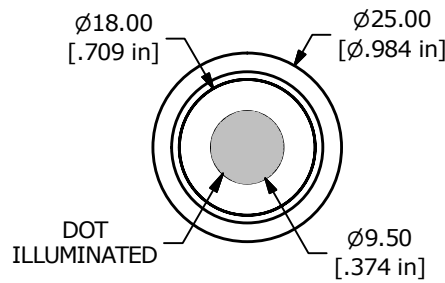


# PV7 SERIES ANTI-VANDAL SWITCH

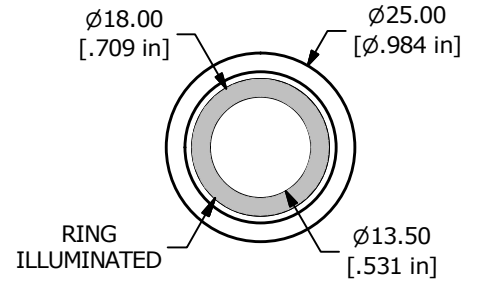
## ACTUATOR OPTIONS



**FLAT NON-ILLUMINATED**

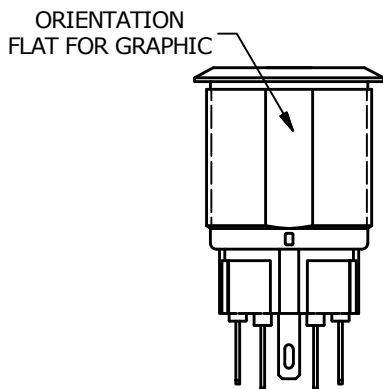
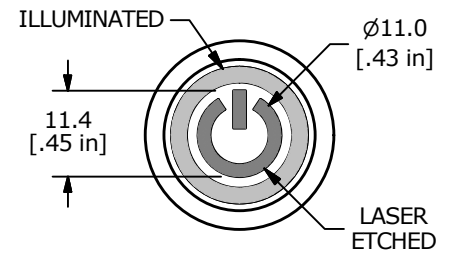
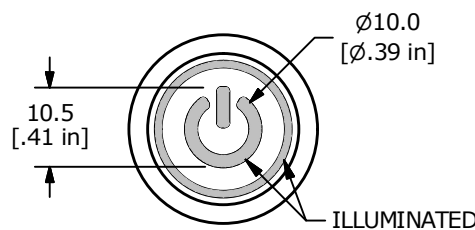
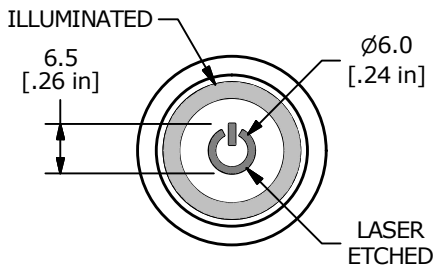


**FLAT DOT ILLUMINATED**

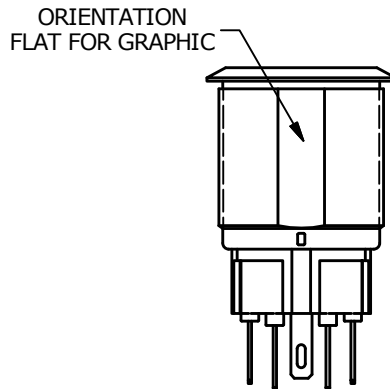


**FLAT RING ILLUMINATED**

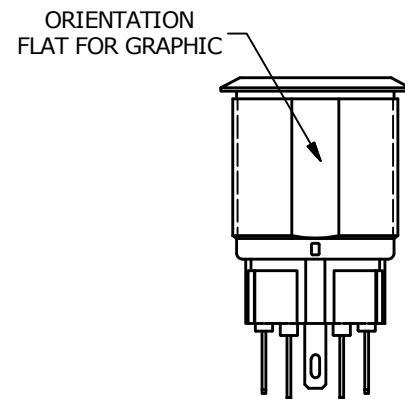
## GRAPHIC OPTIONS



**M01**



**M03**



**M16**



ANTI-VANDAL SWITCHES  
DETECTOR SWITCHES  
DIP SWITCHES  
KEYLOCK SWITCHES  
NAVIGATION SWITCHES  
PUSHBUTTON SWITCHES  
ROCKER SWITCHES  
ROTARY SWITCHES  
SLIDE SWITCHES  
SNAP ACTION SWITCHES  
TACTILE SWITCHES  
TOGGLE SWITCHES  
CAP OPTIONS

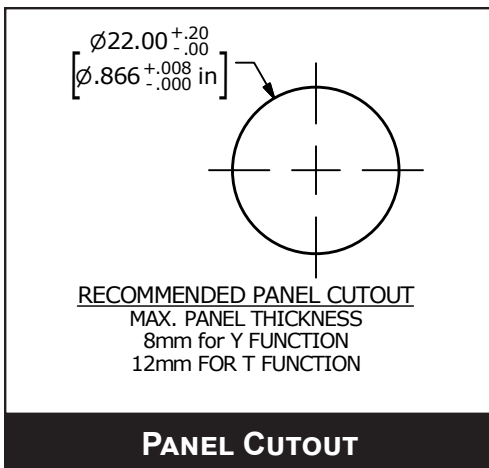
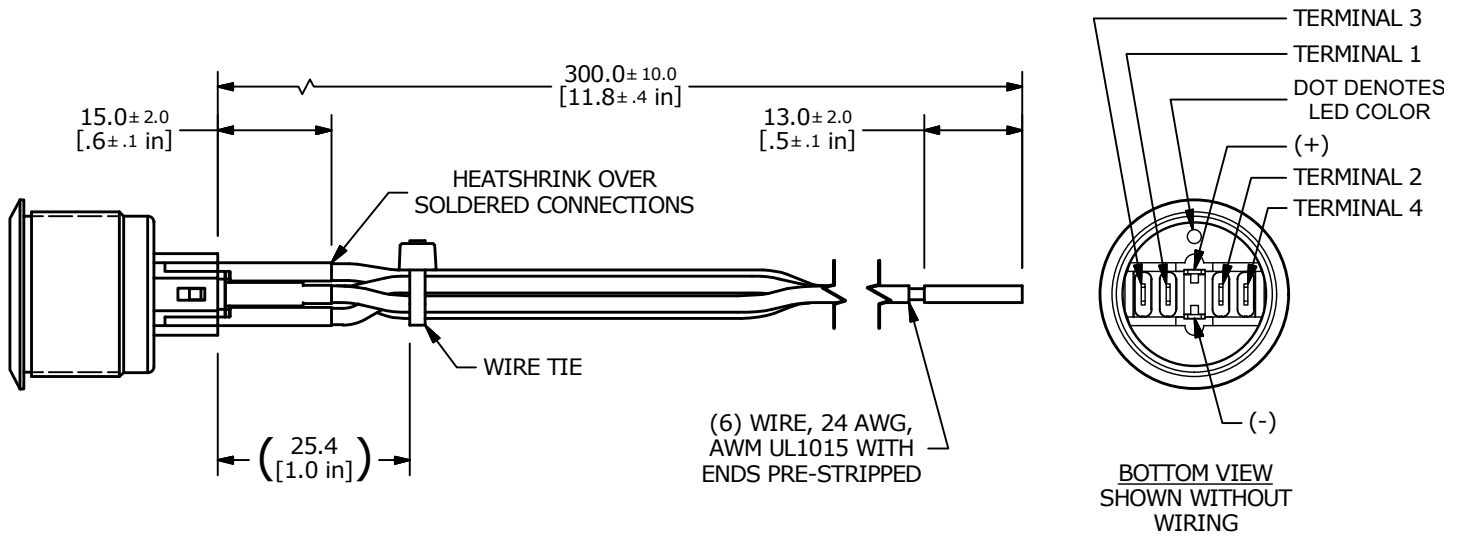


# PV7 SERIES ANTI-VANDAL SWITCH

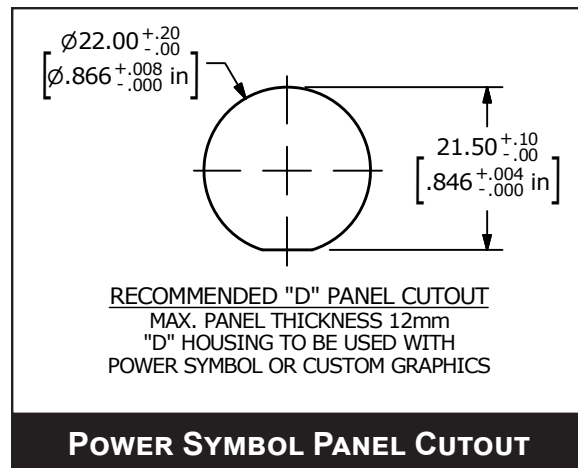
## STANDARD LED WIRE LEAD

SWITCH	WIRE	LENGTH
SW1-1	WIRE, 24AWG AWM UL1015, WHITE	300.0 [11.8 in]
SW1-2	WIRE, 24AWG AWM UL1015, WHITE	300.0 [11.8 in]
SW1-3	WIRE, 24AWG AWM UL1015, BLUE	300.0 [11.8 in]
SW1-4	WIRE, 24AWG AWM UL1015, BLUE	300.0 [11.8 in]
SW1- (+)	WIRE, 24AWG AWM UL1015, RED	300.0 [11.8 in]
SW1- (-)	WIRE, 24AWG AWM UL1015, BLACK	300.0 [11.8 in]

\*\* WIRE LEADS PROVIDED ARE DEPENDANT ON THE FUNCTION AND/OR ILLUMINATION SELECTED \*\*



**PANEL CUTOUT**



**POWER SYMBOL PANEL CUTOUT**



# PV7 SERIES ANTI-VANDAL SWITCH

## RGB LED WIRE LEAD

SWITCH	WIRE	LENGTH
SW1-1	WIRE, 24AWG AWM UL1015, WHITE	300.0 [11.8 in]
SW1-2	WIRE, 24AWG AWM UL1015, WHITE	300.0 [11.8 in]
SW1-3	WIRE, 24AWG AWM UL1015, YELLOW	300.0 [11.8 in]
SW1-4	WIRE, 24AWG AWM UL1015, YELLOW	300.0 [11.8 in]
SW1-RED (+)	WIRE, 24AWG AWM UL1015, RED	300.0 [11.8 in]
SW1-GREEN (+)	WIRE, 24AWG AWM UL1015, GREEN	300.0 [11.8 in]
SW1-BLUE (+)	WIRE, 24AWG AWM UL1015, BLUE	300.0 [11.8 in]
SW1- (-)	WIRE, 24AWG AWM UL1015, BLACK	300.0 [11.8 in]

\*\* WIRE LEADS PROVIDED ARE DEPENDANT ON THE FUNCTION AND/OR ILLUMINATION SELECTED \*\*

