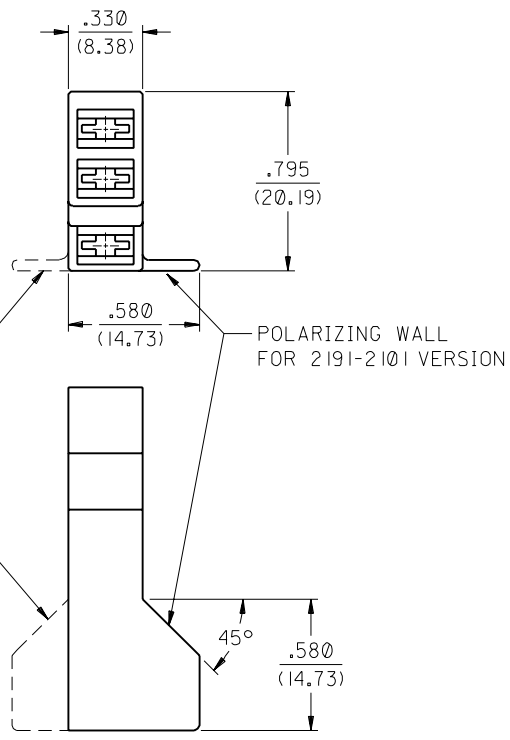
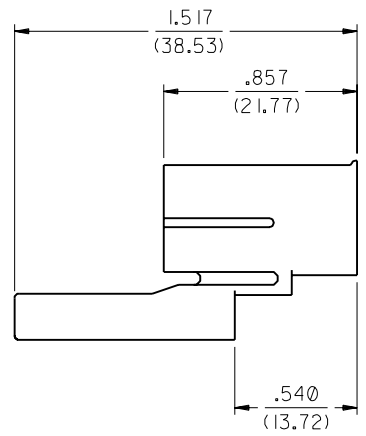
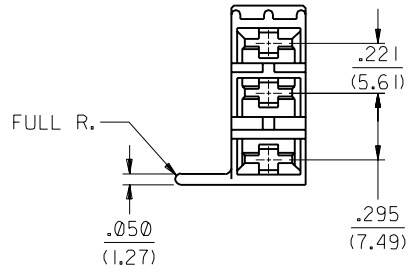
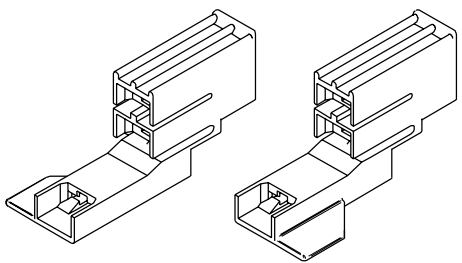


PART NUMBER	ENG. NO.	COLOR
006-02-9033	2191-2101	BLACK
006-02-9034	2191-2002	NATURAL



LOCATION OF POLARIZING WALL FOR 2191-2002 VERSION



2191-2101 2191-2002

NOTES:

- MATERIAL:
NYLON 6/6, UL 94V-2
COLOR: SEE CHART
- THIS HOUSING FOR USE WITH 2176 AND 2576 SERIES TERMINALS.
- ALL DIMENSIONS ARE FOR REFERENCE ONLY.

A	FINAL RELEASE ECN U70232 RUSHTON 8-30-96
I	X-RELEASE ECN U6 0632 95/12/19 GJK

MFG.	SH.	REV.	LTR.	REVISIONS
------	-----	------	------	-----------

DIMENSIONS SHOWN (METRIC) INCH		▽ = 0	▼ = 0	REVISE ONLY ON CAD SYSTEM																				
UNLESS OTHERWISE SPECIFIED TOLERANCES: ANGULAR ± 1/2°		TITLE SWITCH CONNECTOR HOUSING, 3 CIRCUIT FLAT BLADE SYSTEM																						
<table border="1"> <thead> <tr> <th></th> <th>INCH</th> <th>METRIC</th> </tr> </thead> <tbody> <tr> <td>3 PLACE</td> <td>± ---</td> <td>---</td> </tr> <tr> <td>2 PLACE</td> <td>± ---</td> <td>± ---</td> </tr> <tr> <td>1 PLACE</td> <td>---</td> <td>± ---</td> </tr> </tbody> </table>			INCH	METRIC	3 PLACE	± ---	---	2 PLACE	± ---	± ---	1 PLACE	---	± ---	<table border="1"> <tr> <td>MOLEX</td> <td>MOLEX INCORPORATED</td> <td>SHEET NO.</td> <td>DATE</td> </tr> <tr> <td></td> <td>LISLE, ILL.</td> <td>60532</td> <td>U.S.A. 1 OF 1 95/12/19</td> </tr> </table>			MOLEX	MOLEX INCORPORATED	SHEET NO.	DATE		LISLE, ILL.	60532	U.S.A. 1 OF 1 95/12/19
	INCH	METRIC																						
3 PLACE	± ---	---																						
2 PLACE	± ---	± ---																						
1 PLACE	---	± ---																						
MOLEX	MOLEX INCORPORATED	SHEET NO.	DATE																					
	LISLE, ILL.	60532	U.S.A. 1 OF 1 95/12/19																					
DRAFT WHERE APPLICABLE MUST REMAIN WITHIN DIMENSIONS		PART NO. SEE CHART DRWG. NO. SD-2191-2*0*																						
DRWG. BY GJK	CHK'D. BY KBP	FILE NAME	THIS DRAWING CONTAINS INFORMATION THAT IS PROPRIETARY TO MOLEX INC. AND SHOULD NOT BE USED WITHOUT WRITTEN PERMISSION.	DIV. CP																				
APP'D. BY RAS	SCALE 2 : 1	SD191X1		SIZE B																				