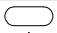

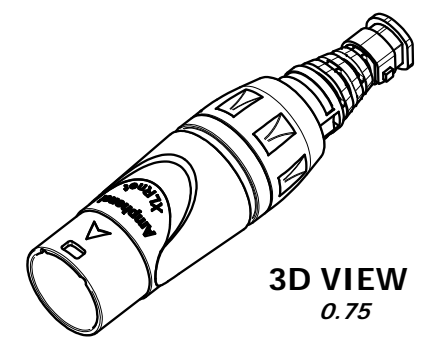
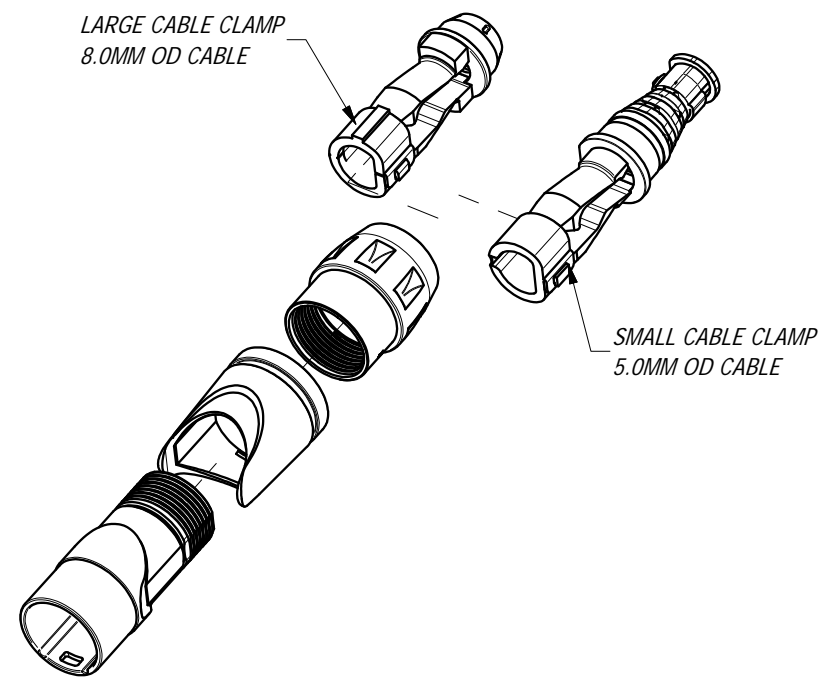
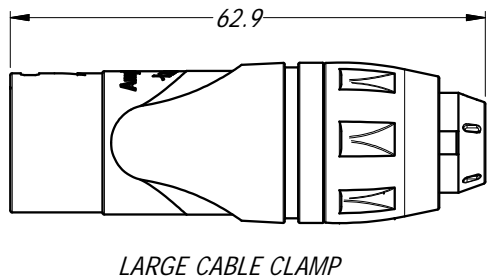
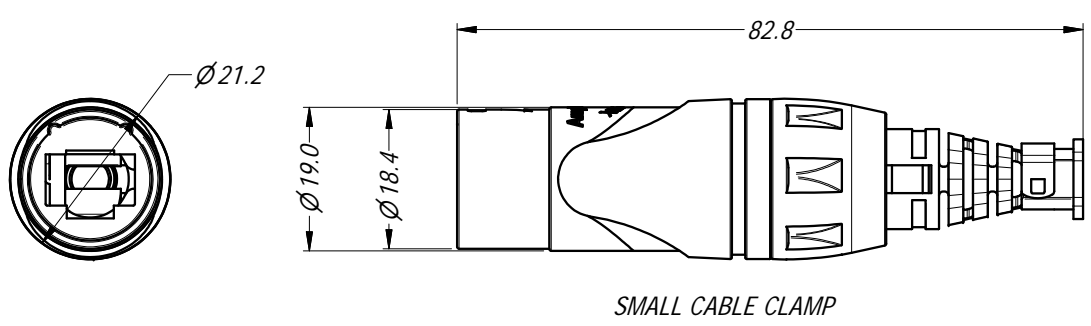
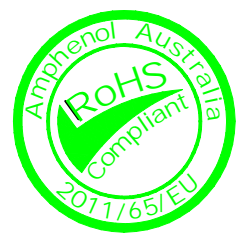
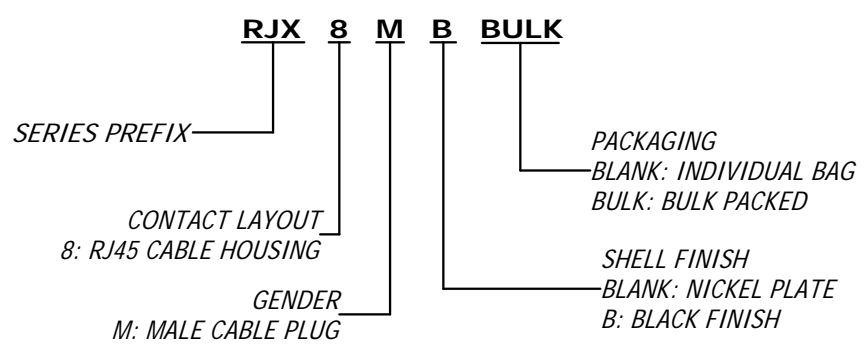


LEGEND
 = CRITICAL INSPECTION DIMENSIONS.
 = KEY PRODUCT CHARACTERISTICS



PART No. BREAKDOWN



NOTES:
 1. BOTH CABLE CLAMPS LARGE & SMALL ARE PACKED IN THE SAME BAG OF CONNECTOR KIT

| | | | | | | | |
|--|-------------|--|--|--------------------------|----------------|---|---|
| UNLESS OTHERWISE SPECIFIED TOLERANCE TO BE | | THIS DOCUMENT IS THE PROPERTY OF AMPHENOL AUSTRALIA PTY. LTD. NO PART THEREOF MAY BE REPRODUCED AND USED WITHOUT THE PRIOR WRITTEN CONSENT OF THE OWNER. | | | | Amphenol Amphenol Australia Pty.Ltd, 22 Industry Blvd Carrum Downs, VIC 3201 | |
| LINEAR | | ANGULAR | | MATERIAL: SEE COMPONENTS | DRN: T.N | DATE: 08/08/12 | TITLE: XLRnet PLUG CABLE CONNECTOR CUSTOMER DWG |
| X ± 0.5 | X' ± 1 | | | CKD: P.M | DATE: 09/08/12 | PART No: RJX8M* | REV: 2 |
| X.X ± 0.1 | X.X' ± 30' | | | APP'D: P.M | DATE: 09/08/12 | DRAWING No. 55010849-000-2 | SHEET 2/2 |
| X.XX ± 0.05 | X.XX' ± 15' | | | SCALE: 1:1 SIZE: A4 | | CB4.17.F1 | |
| BREAK ALL SHARP EDGES AND REMOVE ALL BURRS | | FINISH: SEE COMPONENTS | | THIRD ANGLE PROJECTION | | | |
| DO NOT SCALE | | DIMENSIONS IN MILLIMETRES | | | | | |