

# 74LVT125; 74LVTH125

3.3 V quad buffer; 3-state

Rev. 06 — 6 March 2006

Product data sheet

## 1. General description

The 74LVT125; 74LVTH125 is a high-performance BiCMOS product designed for  $V_{CC}$  operation at 3.3 V.

This device combines low static and dynamic power dissipation with high speed and high output drive. The 74LVT125; 74LVTH125 device is a quad buffer that is ideal for driving bus lines. The device features four output enable inputs ( $1\overline{OE}$ ,  $2\overline{OE}$ ,  $3\overline{OE}$  and  $4\overline{OE}$ ), each controlling one of the 3-state outputs.

## 2. Features

- Quad bus interface
- 3-state buffers
- Output capability: +64 mA and –32 mA
- TTL input and output switching levels
- Input and output interface capability to systems at 5 V supply
- Bus hold data inputs eliminate need for external pull-up resistors to hold unused inputs
- Live insertion and extraction permitted
- No bus current loading when output is tied to 5 V bus
- Power-up 3-state
- Latch-up protection:
  - ◆ JESD78: exceeds 500 mA
- ESD protection:
  - ◆ MIL STD 883 method 3015: exceeds 2000 V
  - ◆ Machine model: exceeds 200 V

## 3. Quick reference data

Table 1. Quick reference data

$GND = 0\text{ V}$ ;  $T_{amb} = 25\text{ }^{\circ}\text{C}$ .

Symbol	Parameter	Conditions	Min	Typ	Max	Unit
$t_{PLH}$	LOW-to-HIGH propagation delay nA to nY	$C_L = 50\text{ pF}$ ; $V_{CC} = 3.3\text{ V}$	-	2.7	-	ns
$t_{PHL}$	HIGH-to-LOW propagation delay nA to nY	$C_L = 50\text{ pF}$ ; $V_{CC} = 3.3\text{ V}$	-	2.9	-	ns

**PHILIPS**

**Table 1. Quick reference data ...continued** $GND = 0\text{ V}$ ;  $T_{amb} = 25\text{ °C}$ .

Symbol	Parameter	Conditions	Min	Typ	Max	Unit
$C_i$	input capacitance	$V_I = 0\text{ V}$ or $3.0\text{ V}$	-	4	-	pF
$C_o$	output capacitance	outputs disabled; $V_O = 0\text{ V}$ or $3.0\text{ V}$	-	8	-	pF
$I_{CC}$	quiescent supply current	outputs disabled; $V_{CC} = 3.6\text{ V}$	-	0.13	-	mA

## 4. Ordering information

**Table 2. Ordering information**

Type number	Package			
	Temperature range	Name	Description	Version
74LVT125D	-40 °C to +85 °C	SO14	plastic small outline package; 14 leads; body width 3.9 mm	SOT108-1
74LVT125DB	-40 °C to +85 °C	SSOP14	plastic shrink small outline package; 14 leads; body width 5.3 mm	SOT337-1
74LVT125PW	-40 °C to +85 °C	TSSOP14	plastic thin shrink small outline package; 14 leads; body width 4.4 mm	SOT402-1
74LVT125BQ	-40 °C to +85 °C	DHVQFN14	plastic dual in-line compatible thermal enhanced very thin quad flat package; no leads; 14 terminals; body $2.5 \times 3 \times 0.85\text{ mm}$	SOT762-1
74LVTH125D	-40 °C to +85 °C	SO14	plastic small outline package; 14 leads; body width 3.9 mm	SOT108-1
74LVTH125DB	-40 °C to +85 °C	SSOP14	plastic shrink small outline package; 14 leads; body width 5.3 mm	SOT337-1
74LVTH125PW	-40 °C to +85 °C	TSSOP14	plastic thin shrink small outline package; 14 leads; body width 4.4 mm	SOT402-1
74LVTH125BQ	-40 °C to +85 °C	DHVQFN14	plastic dual in-line compatible thermal enhanced very thin quad flat package; no leads; 14 terminals; body $2.5 \times 3 \times 0.85\text{ mm}$	SOT762-1

5. Functional diagram

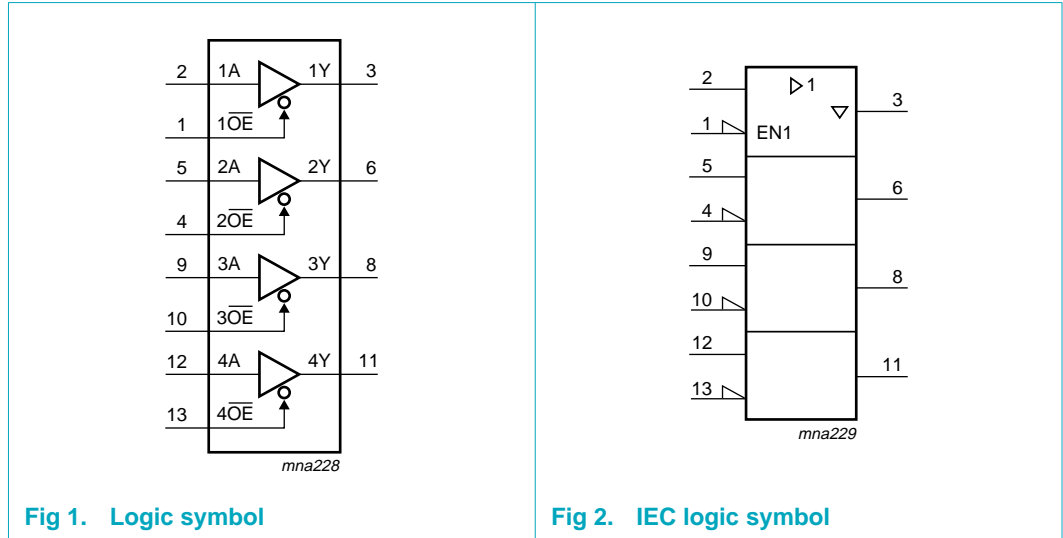


Fig 1. Logic symbol

Fig 2. IEC logic symbol

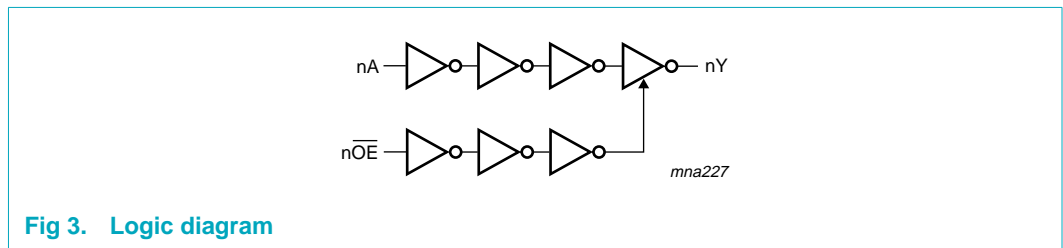


Fig 3. Logic diagram

6. Pinning information

6.1 Pinning

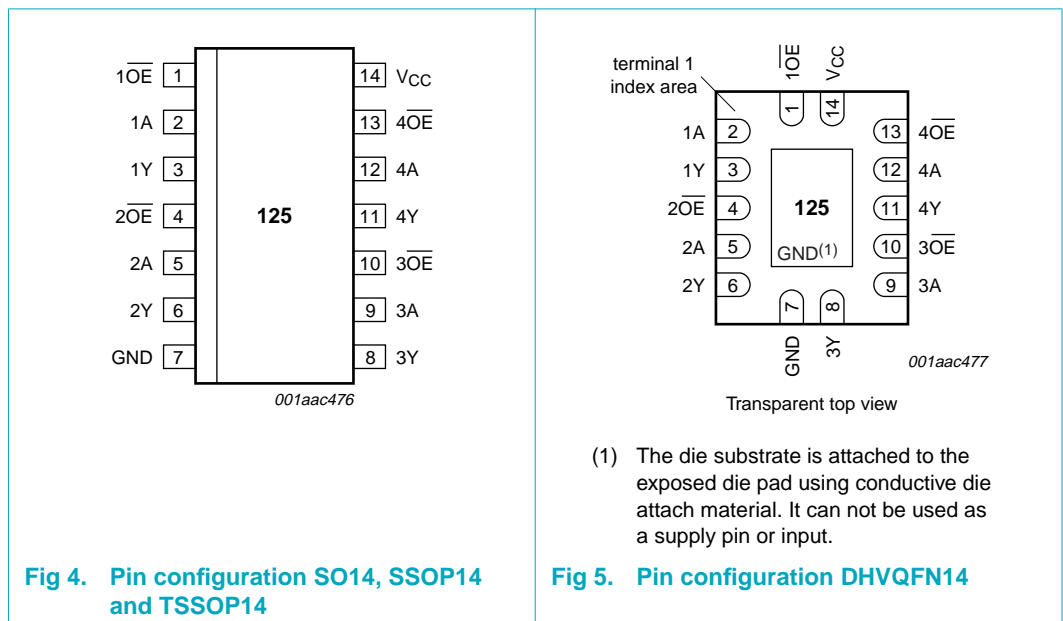


Fig 4. Pin configuration SO14, SSOP14 and TSSOP14

Fig 5. Pin configuration DHVQFN14

## 6.2 Pin description

Table 3. Pin description

Symbol	Pin	Description
$1\overline{OE}$	1	1 output enable input (active LOW)
1A	2	1 data input
1Y	3	1 data output
$2\overline{OE}$	4	2 output enable input (active LOW)
2A	5	2 data input
2Y	6	2 data output
GND	7	ground (0 V)
3Y	8	3 data output
3A	9	3 data input
$3\overline{OE}$	10	3 output enable input (active LOW)
4Y	11	4 data output
4A	12	4 data input
$4\overline{OE}$	13	4 output enable input (active LOW)
$V_{CC}$	14	supply voltage

## 7. Functional description

### 7.1 Function table

Table 4. Function table<sup>[1]</sup>

Control	Input	Output
$n\overline{OE}$	nA	nY
L	L	L
	H	H
H	X	Z

- [1] H = HIGH voltage level;  
 L = LOW voltage level;  
 X = don't care;  
 Z = high-impedance OFF-state.

## 8. Limiting values

**Table 5. Limiting values**

In accordance with the Absolute Maximum Rating System (IEC 60134). Voltages are referenced to GND (ground = 0 V).

Symbol	Parameter	Conditions	Min	Max	Unit
$V_{CC}$	supply voltage		-0.5	+4.6	V
$V_I$	input voltage		[1] -0.5	+7.0	V
$V_O$	output voltage	output in OFF-state or HIGH-state	[1] -0.5	+7.0	V
$I_{IK}$	input clamping current	$V_I < 0$ V	-	-50	mA
$I_{OK}$	output clamping current	$V_O < 0$ V	-	-50	mA
$I_O$	output current	output in LOW-state	-	128	mA
		output in HIGH-state	-	-64	mA
$T_{stg}$	storage temperature		-65	+150	°C
$T_j$	junction temperature		[2] -	150	°C

[1] The input and output negative voltage ratings may be exceeded if the input and output clamp current ratings are observed.

[2] The performance capability of a high-performance integrated circuit in conjunction with its thermal environment can create junction temperatures which are detrimental to reliability.

## 9. Recommended operating conditions

**Table 6. Recommended operating conditions**

Symbol	Parameter	Conditions	Min	Typ	Max	Unit
$V_{CC}$	supply voltage		2.7	-	3.6	V
$V_I$	input voltage		0	-	5.5	V
$V_{IH}$	HIGH-state input voltage		2.0	-	-	V
$V_{IL}$	LOW-state input voltage		-	-	0.8	V
$I_{OH}$	HIGH-state output current		-	-	-32	mA
$I_{OL}$	LOW-state output current	none	-	-	32	mA
		current duty cycle $\leq 50\%$ ; $f \geq 1$ kHz	-	-	64	mA
$\Delta t/\Delta V$	input transition rise and fall rate		0	-	10	ns/V
$T_{amb}$	ambient temperature	in free air	-40	-	+85	°C

## 10. Static characteristics

**Table 7. Static characteristics**

At recommended operating conditions; voltages are referenced to GND (ground = 0 V).

Symbol	Parameter	Conditions	Min	Typ	Max	Unit	
<b>T<sub>amb</sub> = -40 °C to +85 °C<sup>[1]</sup></b>							
V <sub>IK</sub>	input clamping voltage	I <sub>IK</sub> = -18 mA; V <sub>CC</sub> = 2.7 V	-	-0.9	-1.2	V	
V <sub>OH</sub>	HIGH-state output voltage	I <sub>OH</sub> = -100 μA; V <sub>CC</sub> = 2.7 V to 3.6 V	V <sub>CC</sub> - 0.2	V <sub>CC</sub> - 0.1	-	V	
		I <sub>OH</sub> = -8 mA; V <sub>CC</sub> = 2.7 V	2.4	2.5	-	V	
		I <sub>OH</sub> = -32 mA; V <sub>CC</sub> = 3.0 V	2.0	2.2	-	V	
V <sub>OL</sub>	LOW-state output voltage	V <sub>CC</sub> = 2.7 V					
		I <sub>OL</sub> = 100 μA	-	0.1	0.2	V	
		I <sub>OL</sub> = 24 mA	-	0.3	0.5	V	
		V <sub>CC</sub> = 3.0 V					
		I <sub>OL</sub> = 16 mA	-	0.25	0.4	V	
		I <sub>OL</sub> = 32 mA	-	0.3	0.5	V	
I <sub>LI</sub>	input leakage current						
		all input pins	V <sub>CC</sub> = 0 V or 3.6 V; V <sub>I</sub> = 5.5 V	-	1	10	μA
		control pins	V <sub>CC</sub> = 3.6 V; V <sub>I</sub> = V <sub>CC</sub> or GND	-	±0.1	±1	μA
		data pins	V <sub>CC</sub> = 3.6 V	<sup>[2]</sup>			
		V <sub>I</sub> = V <sub>CC</sub>	-	0.1	1	μA	
		V <sub>I</sub> = 0 V	-	-1	-5	μA	
I <sub>OFF</sub>	power-off leakage current	V <sub>CC</sub> = 0 V; V <sub>I</sub> or V <sub>O</sub> = 0 V to 4.5 V	-	1	±100	μA	
I <sub>HOLD</sub>	bus hold current data input	V <sub>CC</sub> = 3 V	<sup>[3]</sup>				
		V <sub>I</sub> = 0.8 V	75	150	-	μA	
		V <sub>I</sub> = 2.0 V	-75	-150	-	μA	
		V <sub>CC</sub> = 0 V to 3.6 V					
		V <sub>I</sub> = 3.6 V	±500	-	-	μA	
I <sub>EX</sub>	external current into output	output in HIGH-state when V <sub>O</sub> > V <sub>CC</sub> ; V <sub>O</sub> = 5.5 V and V <sub>CC</sub> = 3.0 V	-	60	125	μA	
I <sub>O(pu/pd)</sub>	power-up/power-down output current	V <sub>CC</sub> ≤ 1.2 V; V <sub>O</sub> = 0.5 V to V <sub>CC</sub> ; V <sub>I</sub> = GND or V <sub>CC</sub> ; nOE = don't care	<sup>[4]</sup> -	±1	±100	μA	
I <sub>OZ</sub>	OFF-state output current	V <sub>CC</sub> = 3.6 V; V <sub>I</sub> = V <sub>IH</sub> or V <sub>IL</sub>					
		output HIGH: V <sub>O</sub> = 3.0 V	-	1	5	μA	
		output LOW: V <sub>O</sub> = 0.5 V	-	-1	-5	μA	
I <sub>CC</sub>	quiescent supply current	V <sub>CC</sub> = 3.6 V; V <sub>I</sub> = GND or V <sub>CC</sub> ; I <sub>O</sub> = 0 A					
		outputs HIGH	-	0.13	0.19	mA	
		outputs LOW	-	2	7	mA	
		outputs disabled	<sup>[5]</sup> -	0.13	0.19	mA	

**Table 7. Static characteristics ...continued**

At recommended operating conditions; voltages are referenced to GND (ground = 0 V).

Symbol	Parameter	Conditions	Min	Typ	Max	Unit
$\Delta I_{CC}$	additional quiescent supply current	per input pin; $V_{CC} = 3.3 \text{ V to } 3.6 \text{ V}$ ; [6] - one input at $V_{CC} - 0.6 \text{ V}$ and other inputs at $V_{CC}$ or GND	-	0.1	0.2	mA
$C_i$	input capacitance	$V_I = 0 \text{ V or } 3.0 \text{ V}$	-	4	-	pF
$C_o$	output capacitance	outputs disabled; $V_O = 0 \text{ V or } 3.0 \text{ V}$	-	8	-	pF

[1] Typical values are measured at  $V_{CC} = 3.3 \text{ V}$  and  $T_{amb} = 25 \text{ }^\circ\text{C}$ .[2] Unused pins at  $V_{CC}$  or GND.

[3] This is the bus hold overdrive current required to force the input to the opposite logic state.

[4] This parameter is valid for any  $V_{CC}$  between 0 V and 1.2 V with a transition time of up to 10 ms. From  $V_{CC} = 1.2 \text{ V}$  to  $V_{CC} = 3.0 \text{ V}$  to 3.6 V a transition time of 100  $\mu\text{s}$  is permitted. This parameter is valid for  $T_{amb} = 25 \text{ }^\circ\text{C}$  only.[5]  $I_{CC}$  is measured with outputs pulled to  $V_{CC}$  or GND.[6] This is the increase in supply current for each input at the specified voltage level other than  $V_{CC}$  or GND.

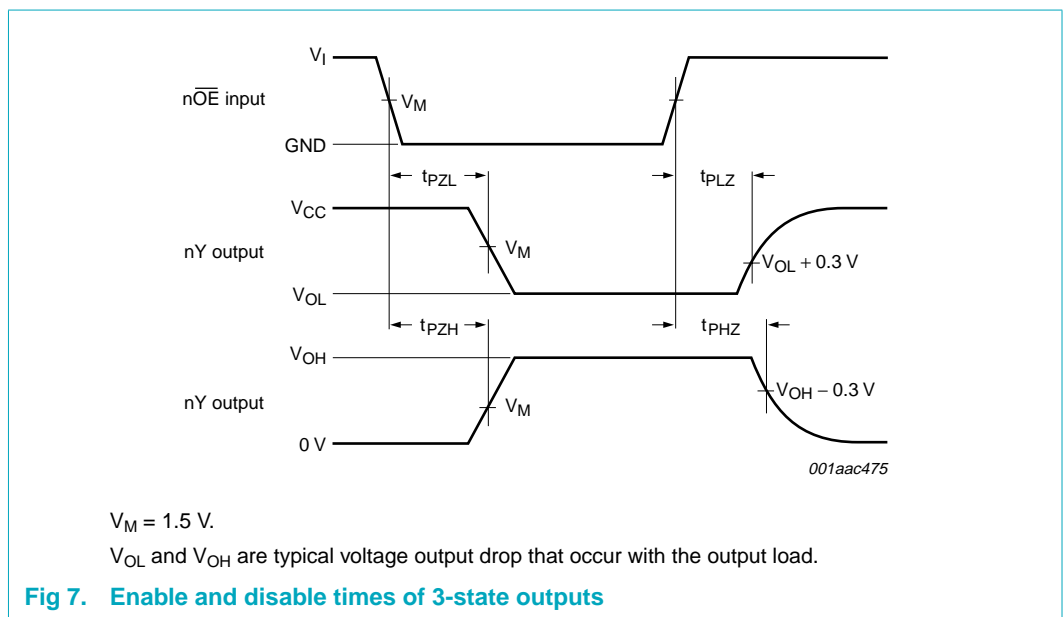
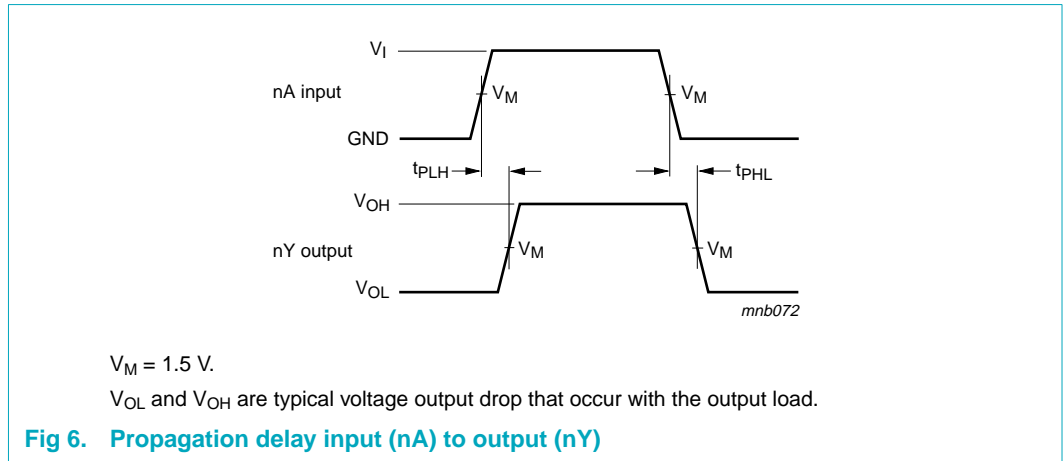
## 11. Dynamic characteristics

**Table 8. Dynamic characteristics**Voltages are referenced to GND (ground = 0 V); for test circuit see [Figure 8](#).

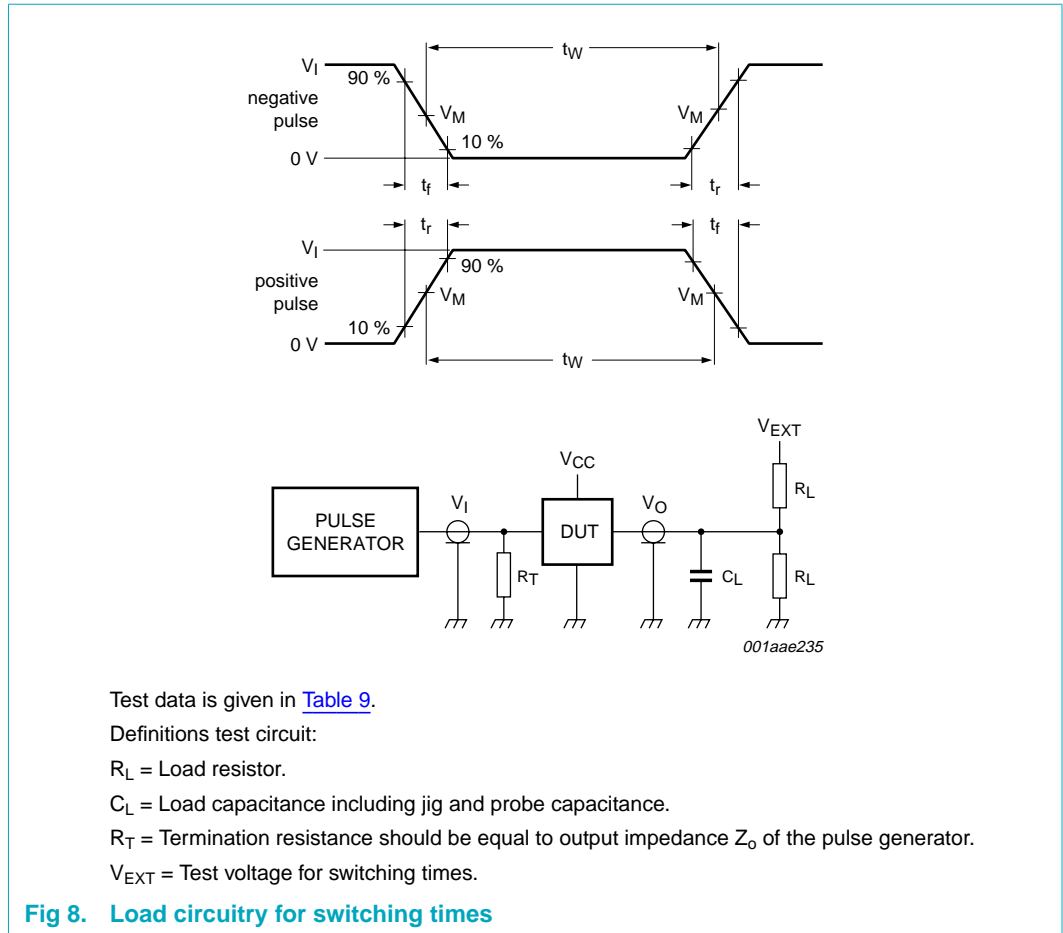
Symbol	Parameter	Conditions	Min	Typ	Max	Unit
$T_{amb} = -40 \text{ }^\circ\text{C to } +85 \text{ }^\circ\text{C}$ [1]						
$t_{PLH}$	LOW-to-HIGH propagation delay nAn to nY	see <a href="#">Figure 6</a> $V_{CC} = 2.7 \text{ V}$	-	-	4.5	ns
		$V_{CC} = 3.0 \text{ V to } 3.6 \text{ V}$	1.0	2.7	4.0	ns
$t_{PHL}$	HIGH-to-LOW propagation delay nAn to nY	see <a href="#">Figure 6</a> $V_{CC} = 2.7 \text{ V}$	-	-	4.9	ns
		$V_{CC} = 3.0 \text{ V to } 3.6 \text{ V}$	1.0	2.9	3.9	ns
$t_{PZH}$	output enable time $\overline{nOE}$ to nY	see <a href="#">Figure 7</a> $V_{CC} = 2.7 \text{ V}$	-	-	6.0	ns
		$V_{CC} = 3.0 \text{ V to } 3.6 \text{ V}$	1.0	3.4	4.7	ns
$t_{PZL}$	output enable time $\overline{nOE}$ to nY	see <a href="#">Figure 7</a> $V_{CC} = 2.7 \text{ V}$	-	-	6.5	ns
		$V_{CC} = 3.0 \text{ V to } 3.6 \text{ V}$	1.1	3.4	4.7	ns
$t_{PHZ}$	output disable time $\overline{nOE}$ to nY	see <a href="#">Figure 7</a> $V_{CC} = 2.7 \text{ V}$	-	-	5.7	ns
		$V_{CC} = 3.0 \text{ V to } 3.6 \text{ V}$	1.8	3.7	5.1	ns
$t_{PLZ}$	output disable time $\overline{nOE}$ to nY	see <a href="#">Figure 7</a> $V_{CC} = 2.7 \text{ V}$	-	-	4.0	ns
		$V_{CC} = 3.0 \text{ V to } 3.6 \text{ V}$	1.3	2.6	4.5	ns

[1] Typical values are at  $V_{CC} = 3.3 \text{ V}$  and  $T_{amb} = 25 \text{ }^\circ\text{C}$ .

12. Waveforms







**Table 9. Test data**

Input				Load		$V_{EXT}$		
$V_I$	$f_i$	$t_w$	$t_r, t_f$	$C_L$	$R_L$	$t_{PHZ}, t_{PZH}$	$t_{PLZ}, t_{PZL}$	$t_{PLH}, t_{PHL}$
2.7 V	$\leq 10$ MHz	500 ns	$\leq 2.5$ ns	50 pF	500 $\Omega$	GND	6 V	open

13. Package outline

SO14: plastic small outline package; 14 leads; body width 3.9 mm

SOT108-1

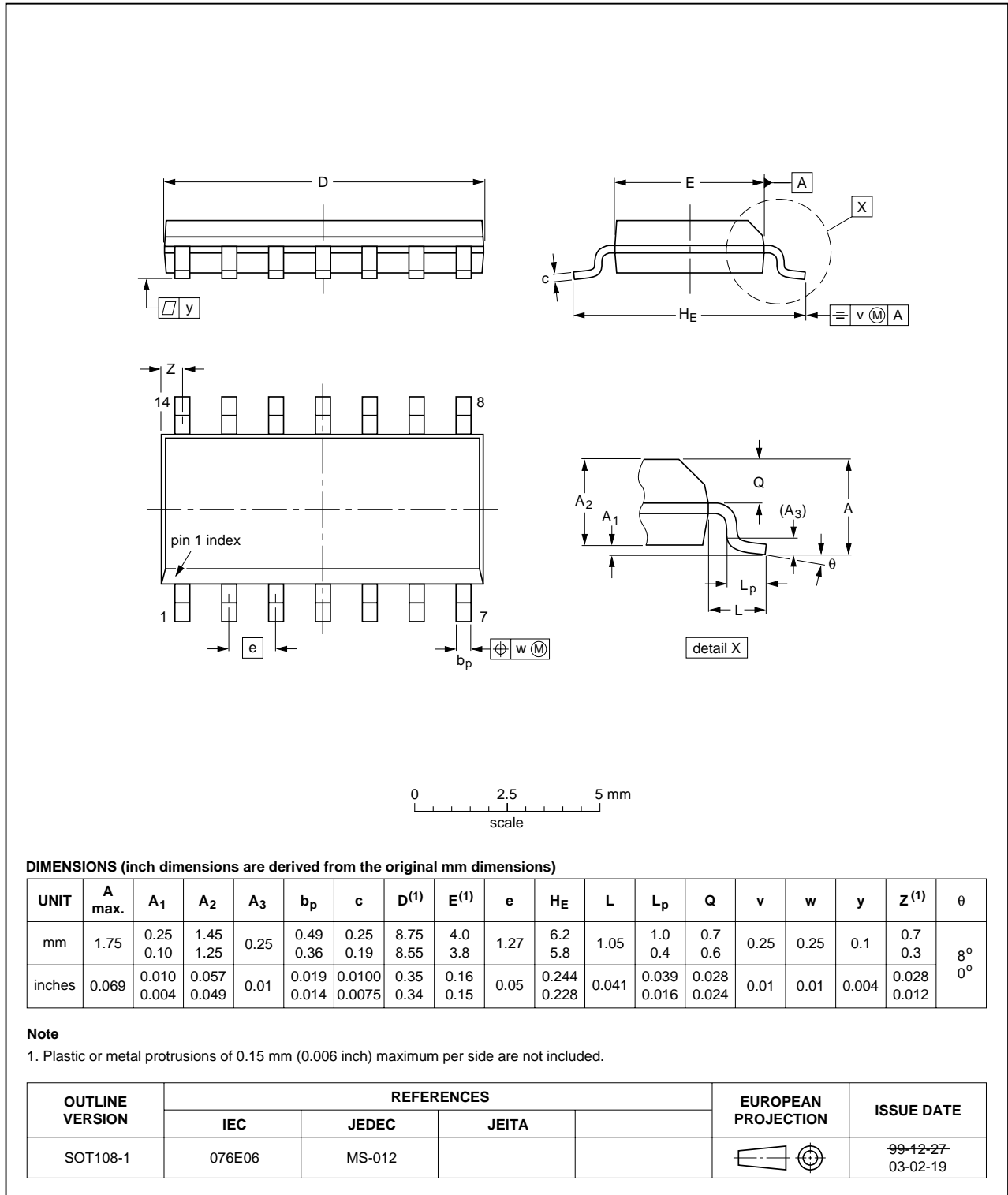


Fig 9. Package outline SOT108-1 (SO14)

SSOP14: plastic shrink small outline package; 14 leads; body width 5.3 mm

SOT337-1

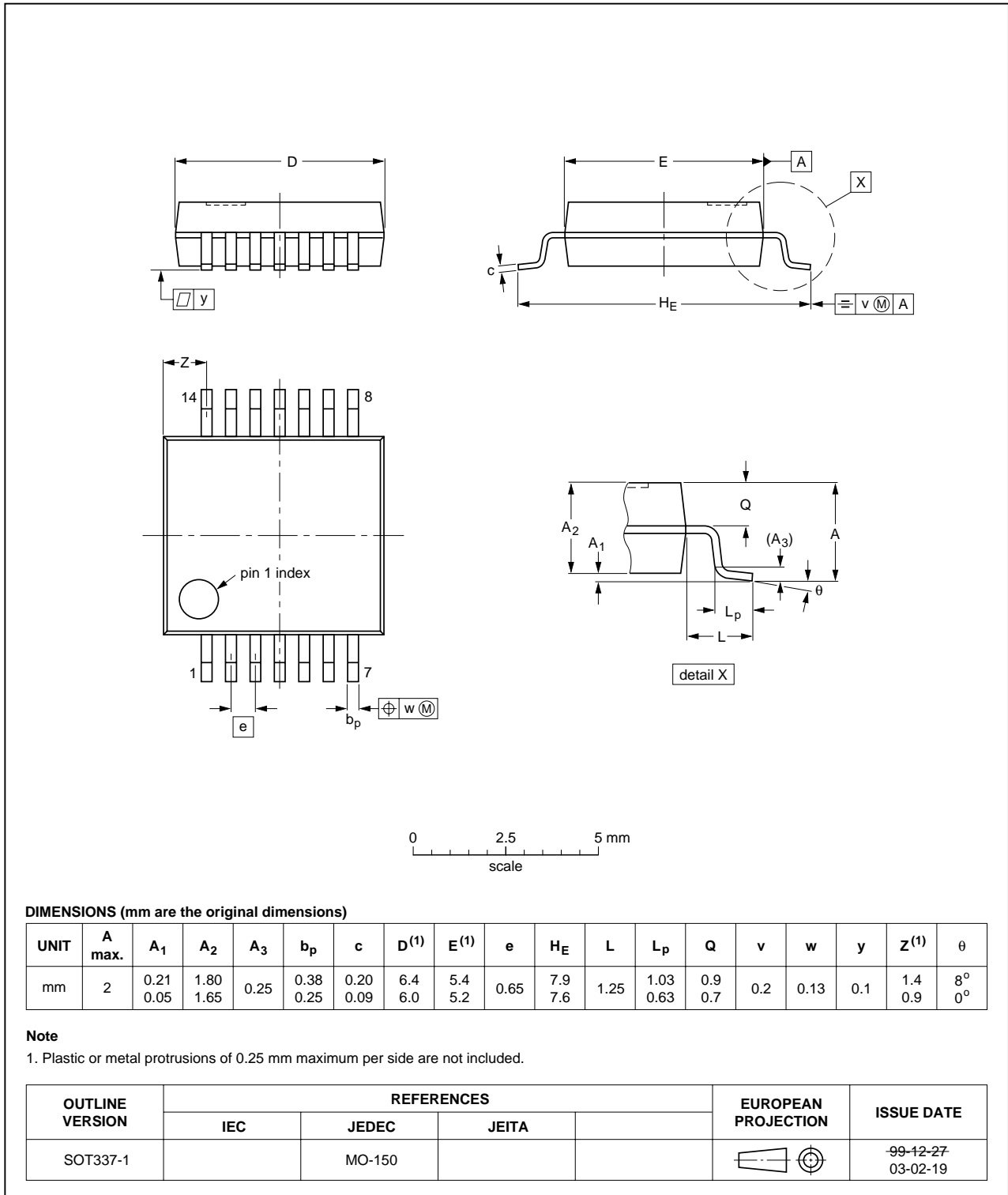


Fig 10. Package outline SOT337-1 (SSOP14)

TSSOP14: plastic thin shrink small outline package; 14 leads; body width 4.4 mm

SOT402-1

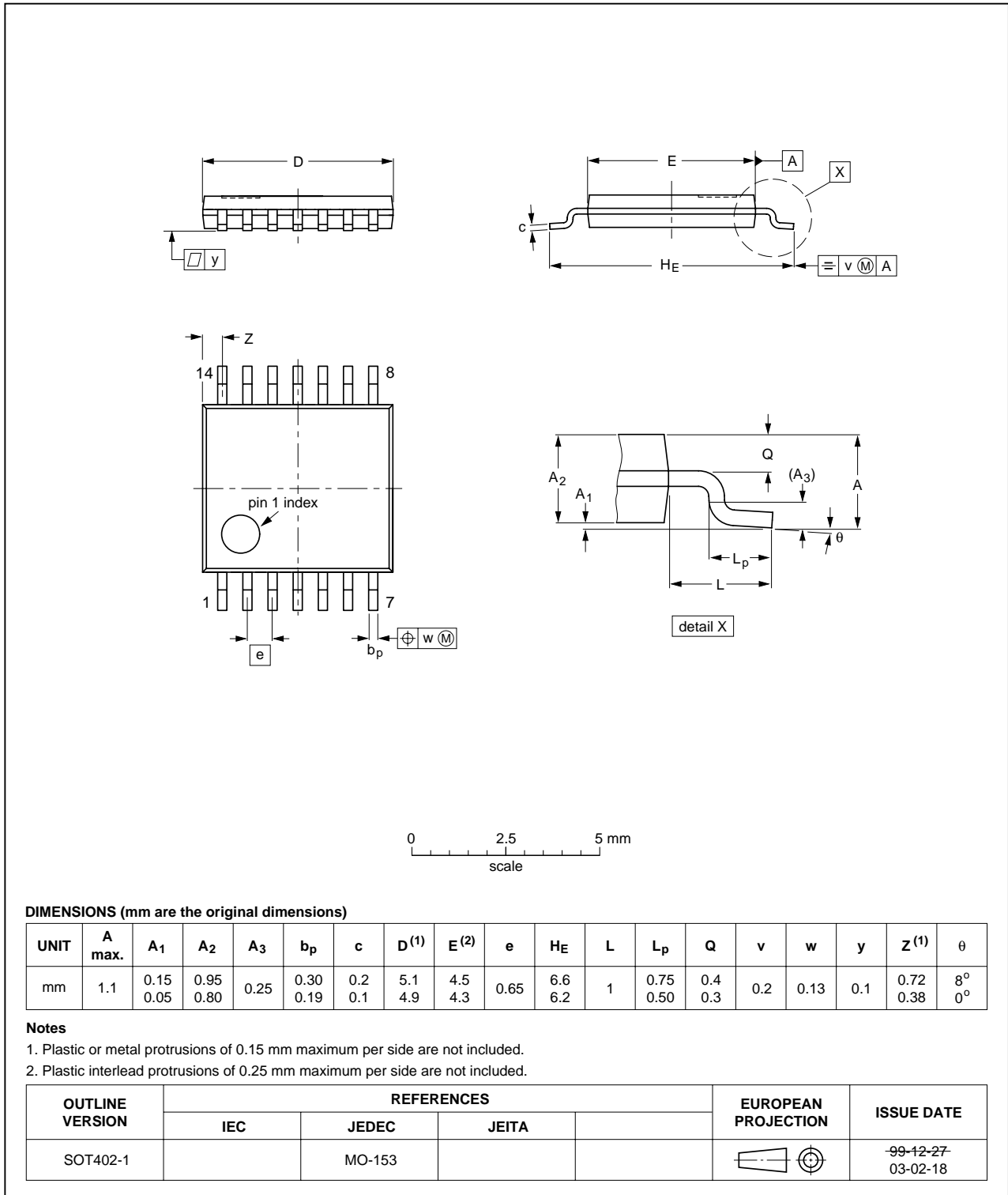


Fig 11. Package outline SOT402-1 (TSSOP14)

DHVQFN14: plastic dual in-line compatible thermal enhanced very thin quad flat package; no leads; 14 terminals; body 2.5 x 3 x 0.85 mm

SOT762-1

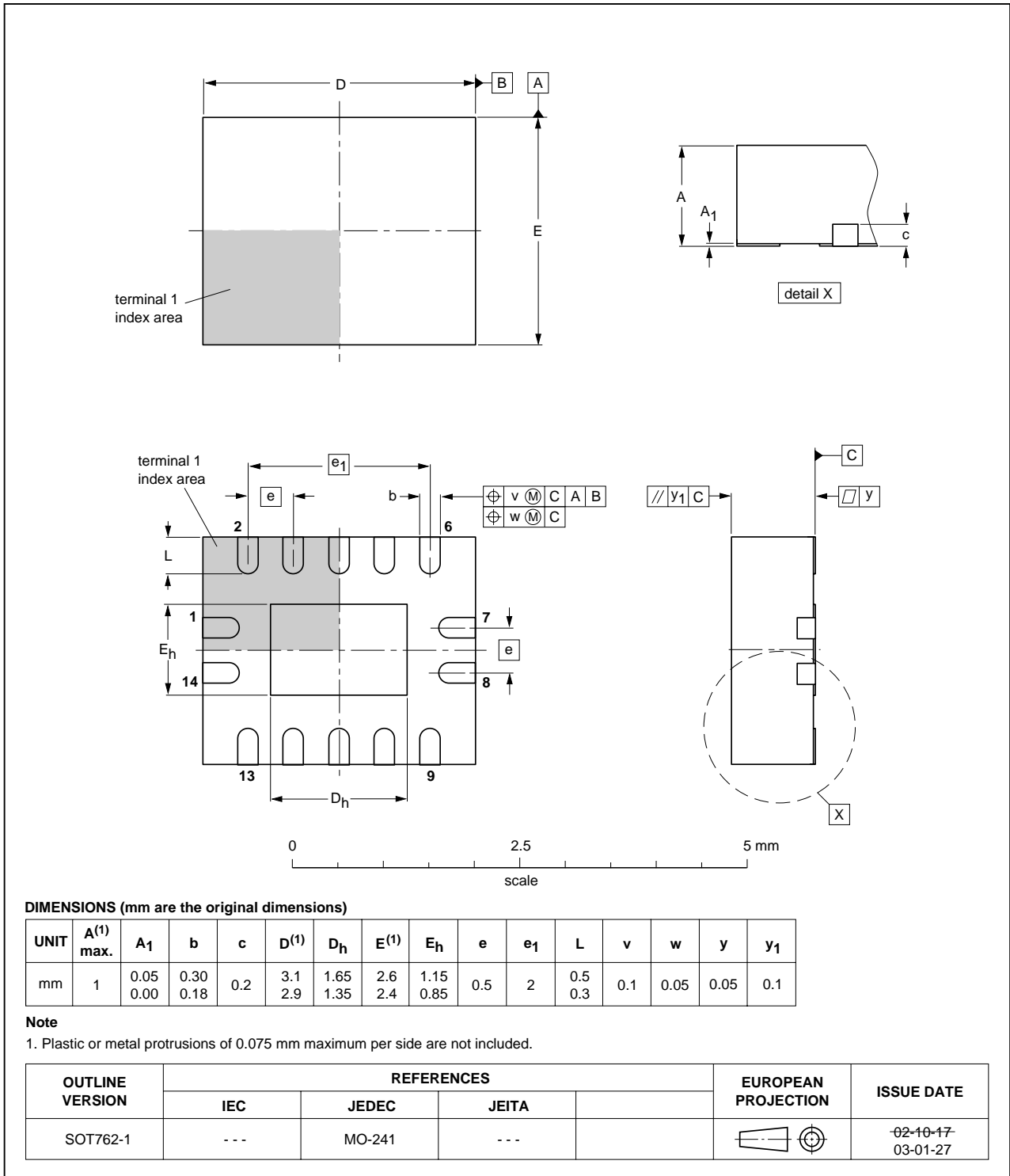


Fig 12. Package outline SOT762-1 (DHVQFN14)

## 14. Abbreviations

Table 10. Abbreviations

Acronym	Description
CMOS	Complementary Metal Oxide Semiconductor
DUT	Device Under Test
ESD	ElectroStatic Discharge
TTL	Transistor-Transistor Logic

## 15. Revision history

Table 11. Revision history

Document ID	Release date	Data sheet status	Change notice	Supersedes
74LVT_LVTH125_6	20060306	Product data sheet	-	74LVT125_5 (9397 750 14703)
Modifications:	<ul style="list-style-type: none"> <li>Section 4: Added type numbers 74LVTH125D, 74LVTH125DB, 74LVTH125PW and 74LVTH125BQ.</li> </ul>			
74LVT125_5	20050210	Product data sheet	-	74LVT125_4 (9397 750 14552)
74LVT125_4	20050207	Product data sheet	-	74LVT125_3 (9397 750 13535)
74LVT125_3	20040624	Product data sheet	-	74LVT125_2 (9397 750 03514)
74LVT125_2	19980219	Product specification	-	74LVT125_1
74LVT125_1	-	-	-	-

## 16. Legal information

### 16.1 Data sheet status

Document status <sup>[1][2]</sup>	Product status <sup>[3]</sup>	Definition
Objective [short] data sheet	Development	This document contains data from the objective specification for product development.
Preliminary [short] data sheet	Qualification	This document contains data from the preliminary specification.
Product [short] data sheet	Production	This document contains the product specification.

[1] Please consult the most recently issued document before initiating or completing a design.

[2] The term 'short data sheet' is explained in section "Definitions".

[3] The product status of device(s) described in this document may have changed since this document was published and may differ in case of multiple devices. The latest product status information is available on the Internet at URL <http://www.semiconductors.philips.com>.

### 16.2 Definitions

**Draft** — The document is a draft version only. The content is still under internal review and subject to formal approval, which may result in modifications or additions. Philips Semiconductors does not give any representations or warranties as to the accuracy or completeness of information included herein and shall have no liability for the consequences of use of such information.

**Short data sheet** — A short data sheet is an extract from a full data sheet with the same product type number(s) and title. A short data sheet is intended for quick reference only and should not be relied upon to contain detailed and full information. For detailed and full information see the relevant full data sheet, which is available on request via the local Philips Semiconductors sales office. In case of any inconsistency or conflict with the short data sheet, the full data sheet shall prevail.

### 16.3 Disclaimers

**General** — Information in this document is believed to be accurate and reliable. However, Philips Semiconductors does not give any representations or warranties, expressed or implied, as to the accuracy or completeness of such information and shall have no liability for the consequences of use of such information.

**Right to make changes** — Philips Semiconductors reserves the right to make changes to information published in this document, including without limitation specifications and product descriptions, at any time and without notice. This document supersedes and replaces all information supplied prior to the publication hereof.

**Suitability for use** — Philips Semiconductors products are not designed, authorized or warranted to be suitable for use in medical, military, aircraft, space or life support equipment, nor in applications where failure or

malfunction of a Philips Semiconductors product can reasonably be expected to result in personal injury, death or severe property or environmental damage. Philips Semiconductors accepts no liability for inclusion and/or use of Philips Semiconductors products in such equipment or applications and therefore such inclusion and/or use is for the customer's own risk.

**Applications** — Applications that are described herein for any of these products are for illustrative purposes only. Philips Semiconductors makes no representation or warranty that such applications will be suitable for the specified use without further testing or modification.

**Limiting values** — Stress above one or more limiting values (as defined in the Absolute Maximum Ratings System of IEC 60134) may cause permanent damage to the device. Limiting values are stress ratings only and operation of the device at these or any other conditions above those given in the Characteristics sections of this document is not implied. Exposure to limiting values for extended periods may affect device reliability.

**Terms and conditions of sale** — Philips Semiconductors products are sold subject to the general terms and conditions of commercial sale, as published at <http://www.semiconductors.philips.com/profile/terms>, including those pertaining to warranty, intellectual property rights infringement and limitation of liability, unless explicitly otherwise agreed to in writing by Philips Semiconductors. In case of any inconsistency or conflict between information in this document and such terms and conditions, the latter will prevail.

**No offer to sell or license** — Nothing in this document may be interpreted or construed as an offer to sell products that is open for acceptance or the grant, conveyance or implication of any license under any copyrights, patents or other industrial or intellectual property rights.

### 16.4 Trademarks

Notice: All referenced brands, product names, service names and trademarks are the property of their respective owners.

## 17. Contact information

For additional information, please visit: <http://www.semiconductors.philips.com>

For sales office addresses, send an email to: [sales.addresses@www.semiconductors.philips.com](mailto:sales.addresses@www.semiconductors.philips.com)

## 18. Contents

<b>1</b>	<b>General description</b> .....	<b>1</b>
<b>2</b>	<b>Features</b> .....	<b>1</b>
<b>3</b>	<b>Quick reference data</b> .....	<b>1</b>
<b>4</b>	<b>Ordering information</b> .....	<b>2</b>
<b>5</b>	<b>Functional diagram</b> .....	<b>3</b>
<b>6</b>	<b>Pinning information</b> .....	<b>3</b>
6.1	Pinning .....	3
6.2	Pin description .....	4
<b>7</b>	<b>Functional description</b> .....	<b>4</b>
7.1	Function table .....	4
<b>8</b>	<b>Limiting values</b> .....	<b>5</b>
<b>9</b>	<b>Recommended operating conditions</b> .....	<b>5</b>
<b>10</b>	<b>Static characteristics</b> .....	<b>6</b>
<b>11</b>	<b>Dynamic characteristics</b> .....	<b>7</b>
<b>12</b>	<b>Waveforms</b> .....	<b>8</b>
<b>13</b>	<b>Package outline</b> .....	<b>10</b>
<b>14</b>	<b>Abbreviations</b> .....	<b>14</b>
<b>15</b>	<b>Revision history</b> .....	<b>14</b>
<b>16</b>	<b>Legal information</b> .....	<b>15</b>
16.1	Data sheet status .....	15
16.2	Definitions .....	15
16.3	Disclaimers .....	15
16.4	Trademarks .....	15
<b>17</b>	<b>Contact information</b> .....	<b>15</b>
<b>18</b>	<b>Contents</b> .....	<b>16</b>

Please be aware that important notices concerning this document and the product(s) described herein, have been included in section 'Legal information'.



© Koninklijke Philips Electronics N.V. 2006. All rights reserved.

For more information, please visit: <http://www.semiconductors.philips.com>.

For sales office addresses, email to: [sales.addresses@www.semiconductors.philips.com](mailto:sales.addresses@www.semiconductors.philips.com).

Date of release: 6 March 2006

Document identifier: 74LVT\_LVTH125\_6