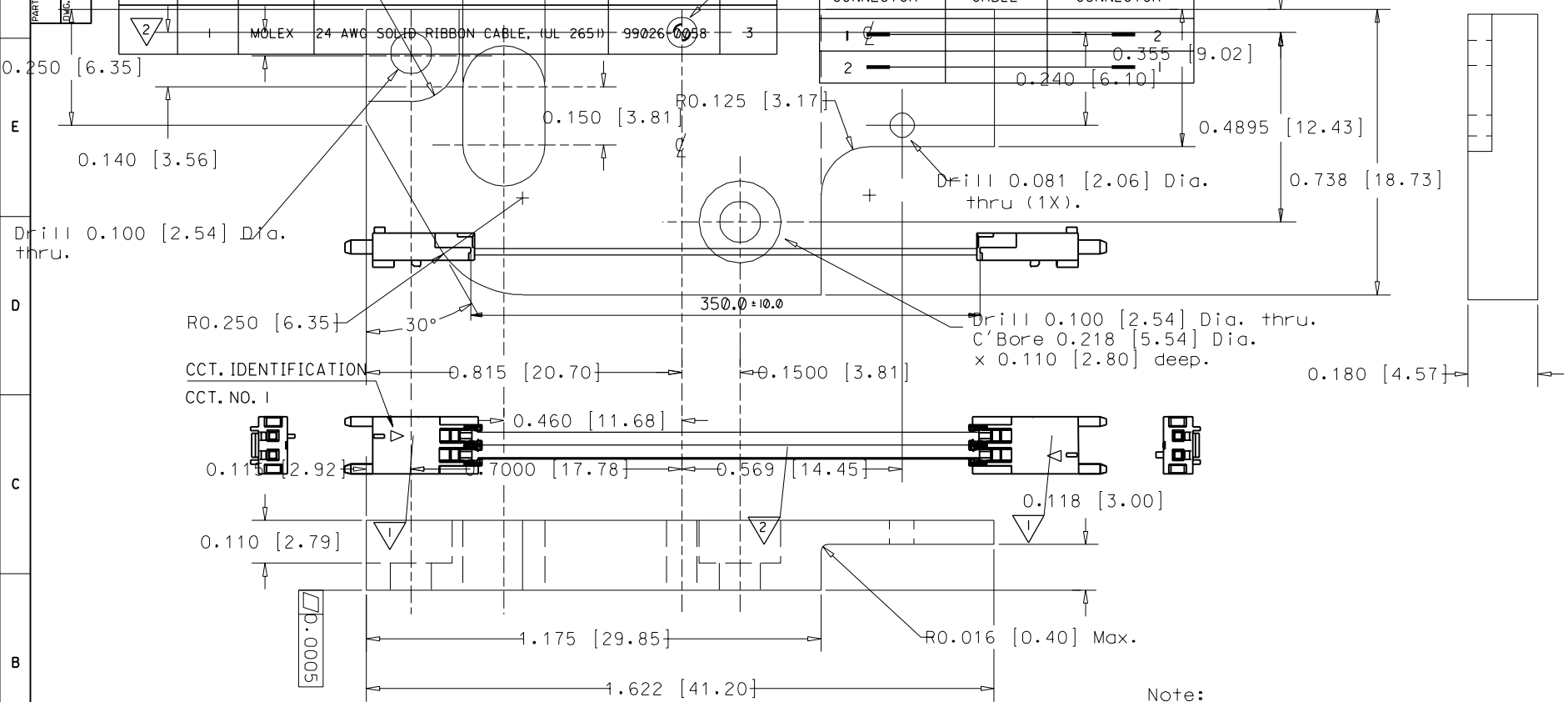
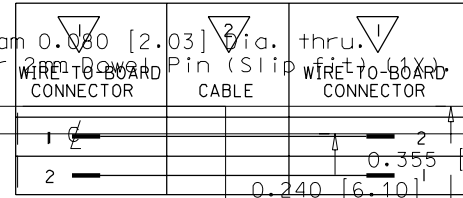


PART NO. 92301-0156  
 DATE NO. SD-92301-280

BILL OF MATERIALS

ITEM	QTY.	SUPPLIER	DESCRIPTION	PART NO.	NOTE
1	2	MOLEX	WIRE TO BOARD CONNECTOR	99020-0018	2
2	1	MOLEX	24 AWG SOLID RIBBON CABLE, (UL 2651)	99026-0008	3

WIRING DIAGRAM



NOTES:

1. SUPPLIER OR CUSTOMER APPROVED EQUIVALENT.
2. SEE PRODUCT SPECIFICATION PS-99020-0018.
3. SEE CABLE SPECIFICATION ES-99027-0008.

NOTES:  
 1. MATERIAL FINISH TO BE 6061 T6  
 2. HEAT TREAT Z17  
 3. FINISH TO BE CHAMFERED AND ROUNDED  
 4. BREAK ALL SHARP EDGES UNLESS OTHERWISE SPECIFIED .005 - .010  
 5. MARK FLUSH WITH OR BELOW SURFACE  
 ENGINEERING NO.-VENDOR CODE PART NO.

Note:  
 Dimensions to .0005 INCHES / .0254 MM

UNIT	INCH	MM
DECIMALS	1/1000	0.0254
FRACTIONS	1/16	1.5875
ANGLES	MINUTE	0.0254
PROJECTIONS	1/16	1.5875
SCALE	1" = 1"	1:1

REV	DESCRIPTION	DATE	BY	CHKD.	DATE	BY	CHKD.	DATE	BY	CHKD.	DATE	BY
1	ORIGINAL RELEASE	06/18	DRW	BENRICH	00/02/01	DRW	BENRICH	00/02/01	DRW	BENRICH	00/02/01	DRW
2	EC NO. 2000-0678	06/18	DRW	BENRICH	00/02/01	DRW	BENRICH	00/02/01	DRW	BENRICH	00/02/01	DRW
3	CHG: APPR	06/18	DRW	BENRICH	00/02/01	DRW	BENRICH	00/02/01	DRW	BENRICH	00/02/01	DRW
4	MAJOR	06/18	DRW	BENRICH	00/02/01	DRW	BENRICH	00/02/01	DRW	BENRICH	00/02/01	DRW
5	CRITICAL	06/18	DRW	BENRICH	00/02/01	DRW	BENRICH	00/02/01	DRW	BENRICH	00/02/01	DRW
6	MINOR	06/18	DRW	BENRICH	00/02/01	DRW	BENRICH	00/02/01	DRW	BENRICH	00/02/01	DRW

TITLE	DATE	BY	CHKD.	DATE	BY	CHKD.	DATE	BY	CHKD.	DATE	BY
BENRICH	00/02/01	DRW	BENRICH	00/02/01	DRW	BENRICH	00/02/01	DRW	BENRICH	00/02/01	DRW
DRW	00/02/01	DRW	BENRICH	00/02/01	DRW	BENRICH	00/02/01	DRW	BENRICH	00/02/01	DRW
DRW	00/02/01	DRW	BENRICH	00/02/01	DRW	BENRICH	00/02/01	DRW	BENRICH	00/02/01	DRW
DRW	00/02/01	DRW	BENRICH	00/02/01	DRW	BENRICH	00/02/01	DRW	BENRICH	00/02/01	DRW