

MULTIMODE SCSI 14-LINE TERMINATOR

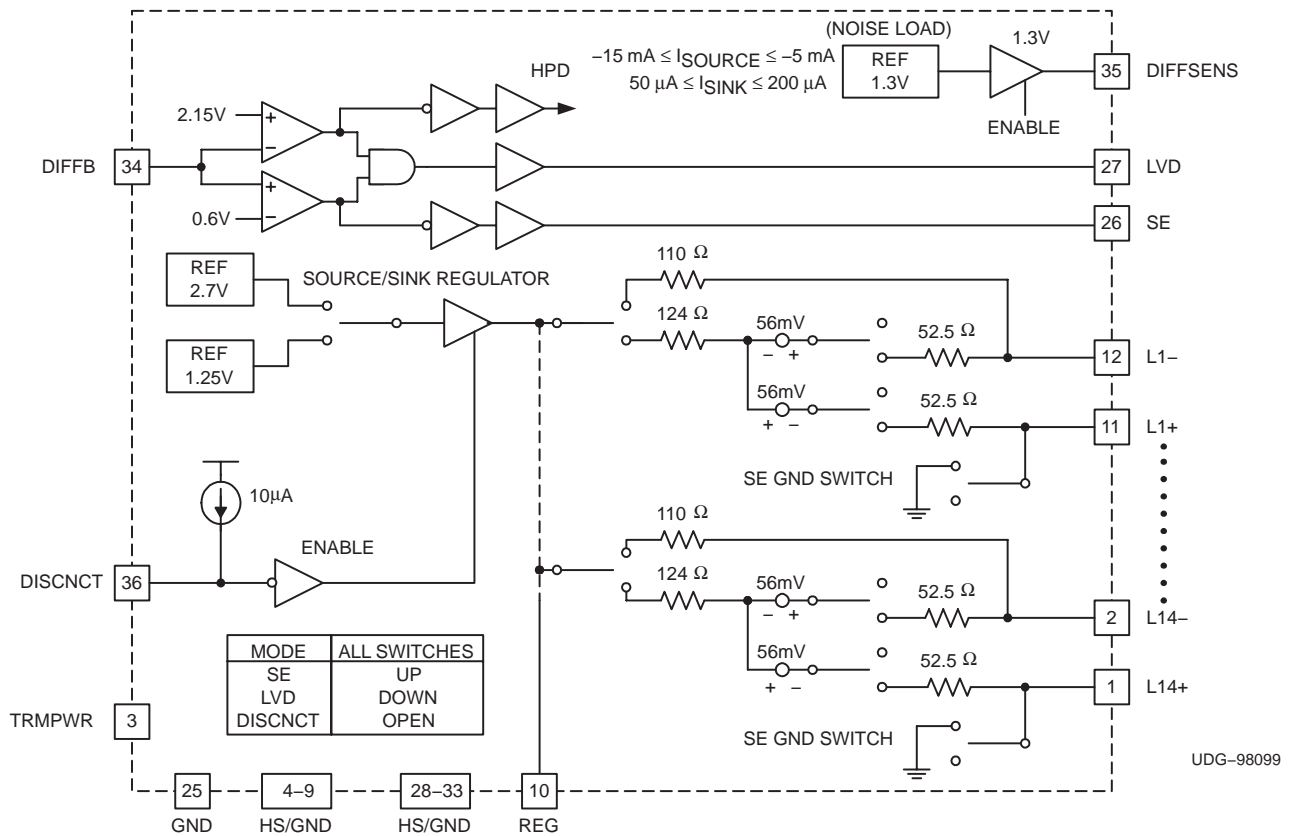
FEATURES

- Auto Selection Single Ended (SE) or Low Voltage Differential (LVD) Termination
- Meets SCSI-1, SCSI-2, SCSI-3, SPI, Ultra (Fast-20), Ultra2 (SPI-2 LVD), Ultra3, Ultra160 (SPI-3) and Ultra320 (SPI-4) Standards
- 2.7V to 5.25V Operation
- Differential Failsafe Bias
- Thermal packaging for low junction temperature and better MTBF

DESCRIPTION

The UCC5628 Multimode SCSI terminator provides a smooth transition into the low-voltage differential SCSI parallel interface (SPI-2, SPI-3 and SPI-4). It automatically senses the bus, via DIFFFB, and switches the termination to either single ended (SE) or low-voltage differential (LVD) SCSI, dependent on which type of devices are connected to the bus. The UCC5628 can not be used on a high voltage differential (HVD), EIA485, differential SCSI bus. If the UCC5628 detects a HVD SCSI device, it switches to a high-impedance state.

BLOCK DIAGRAM



These devices have limited built-in ESD protection. The leads should be shorted together or the device placed in conductive foam during storage or handling to prevent electrostatic damage to the MOS gates.

DESCRIPTION (CONTINUED)

The Multimode terminator contains all functions required to terminate and auto detect and switch modes for SPI–2, SPI–3 and SPI–4 bus architectures. Single ended, differential impedances and currents are trimmed for maximum effectiveness. Fail-safe biasing is provided to insure signal integrity. Device/bus type detection circuitry is integrated into the terminator to provide automatic switching of termination between single ended and LVD SCSI and a high impedance for HVD SCSI. The multimode function provides all the performance analog functions necessary to implement SPI–2 termination in a single monolithic device.

The UCC5628 is offered in a 48-pin LQFP package for a temperature range of 0°C to 70°C.

ABSOLUTE MAXIMUM RATINGS

over operating free-air temperature range unless otherwise noted†‡

	UCC5628	UNIT
TRMPWR voltage	6	V
Signal line voltage	0 to 6	
Package Dissipation	2	W
Storage temperature, T _{stg}	–65 to 150	°C
Operating junction temperature, T _j	–55 to 150	
Lead temperature (soldering, 10 sec.)	300	

† Stresses beyond those listed under “absolute maximum ratings” may cause permanent damage to the device. These are stress ratings only, and functional operation of the device at these or any other conditions beyond those indicated under “recommended operating conditions” is not implied. Exposure to absolute-maximum-rated conditions for extended periods may affect device reliability. All voltages are with respect to GND. Currents are positive into and negative out of, the specified terminal.

‡ Currents are positive into, negative out of the specified terminal. Consult Packaging Section of Databook for thermal limitations and considerations of packages. All voltages are referenced to GND.

RECOMMENDED OPERATING CONDITIONS

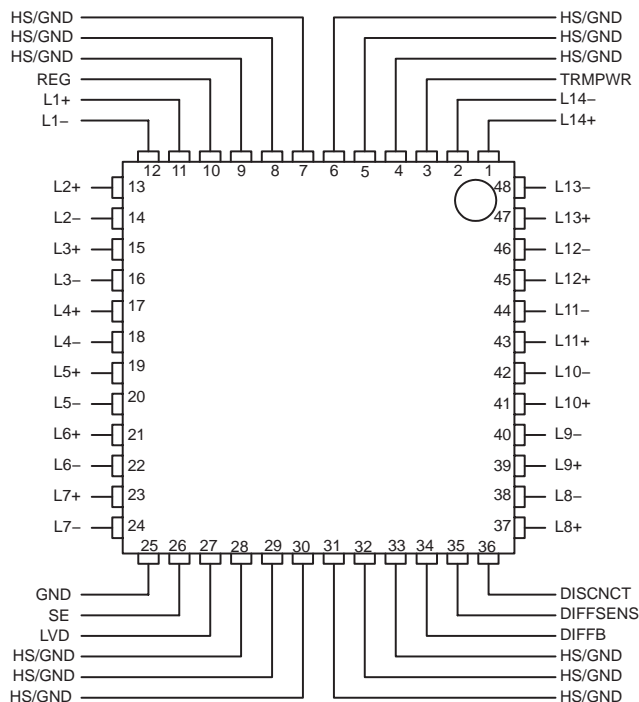
	MIN	NOM	MAX	UNIT
TRMPWR voltage	2.7		5.25	V
Temperature ranges	0		70	°C

ORDERING INFORMATION

T _A	DISCONNECT STATUS	PACKAGED DEVICE†
		LQFP–48 (FQP)
0°C to 70°C		UCC5628FQP

† The LQFP packages are available taped and reeled. Add TR suffix to device type (e.g. UCC5628FQPTR) to order quantities of 2,500 devices per reel.

CONNECTION DIAGRAM



ELECTRICAL CHARACTERISTICS

T_A = T_J = 0°C to 70°C, TRMPWR = 3.3 V, (unless otherwise noted)

PARAMETER	TEST CONDITIONS	MIN	TYP	MAX	UNITS
TRMPWR Supply Current Section					
TRMPWR supply current	LVD mode		20	25	mA
	SE mode		1.6	10.0	
	Disabled terminator		250	400	μA
Regulator Section					
1.25-V regulator	LVD mode	1.15	1.25	1.35	V
1.25-V regulator source current	V _{REG} = 0 V	-375	-700	-1000	mA
1.25-V regulator sink current	V _{REG} = 3.3 V	170	300	700	
1.3-V regulator	Diff sense	1.2	1.3	1.4	V
1.3-V regulator source current	V _{REG} = 0 V	-15		-5	mA
1.3-V regulator sink current	V _{REG} = 3.3 V	50		200	
2.7-V regulator	SE mode	2.5	2.7	3.0	V
2.7-V regulator source current	V _{REG} = 0 V	-375	-700	-1000	mA
2.7-V regulator sink current	V _{REG} = 3.3 V	170	300	700	
Differential Termination Section					
Differential impedance		100	105	110	Ω
Common mode impedance	(2)	110	150	165	
Differential bias voltage		100		125	mV
Common mode bias		1.15	1.25	1.35	V
Output capacitance	Single Ended Measurement to Ground (Note 1)			3	pF

ELECTRICAL CHARACTERISTICS

T_A = T_J = 0°C to 70°C, TRMPWR = 3.3 V, (unless otherwise noted)

PARAMETER	TEST CONDITIONS	MIN	TYP	MAX	UNITS
Single Ended Termination Section					
Impedance	$Z = \frac{V_{LX} - 0.2 V}{I_{LX}}$ (3)	102.3	110.0	117.7	W
Termination current	Signal level 0.2 V, all lines low	-21.0	-24.0	-25.4	mA
	Signal level 0.5 V	-18.0		-22.4	
Output leakage				400	nA
Output capacitance	Single ended measurement to ground (1)			3	pF
Single ended GND impedance	I = 10 mA		20	60	W
Disconnect and Diff Buffer Input Section					
DISCNCT threshold		0.8		2.0	V
DISCNCT input current			10	30	mA
Diff buffer single ended to LVD threshold		0.5		0.7	V
Diff buffer LVD to HPD threshold		1.9		2.4	
DIFFB input current		-10		10	mA
Status Bits (SE, LVD) Output Section					
I _{SOURCE}	V _{LOAD} = 2.4 V	-4	-6		mA
I _{SINK}	V _{LOAD} = 0.4 V	2	5		

NOTES: 1. Ensured by design. Not production tested.

2. $Z_{CM} = \frac{1.2 V}{I_{(VCM+0.6 V)} - I_{(VCM-0.6 V)}}$, where VCM=voltage measured with L+ tied to L- and zero current applied.
3. V_{LX} = Output voltage for each terminator minus output pin (L1- through L14-) with each pin unloaded.
 I_{LX} = Output current for each terminator minus output pin (L1- through L14-) with the minus output pin forced to 0.2 V.

TERMINAL FUNCTIONS

TERMINAL		I/O	DESCRIPTION
NAME	NO.		
DIFFB	34	I	DIFFSENS filter pin should be connected to a 4.7-μF capacitor and a 50-kΩ resistor.
DIFFSENS	35	O	The SCSI bus Diff sense line to detect what types of devices are connected to the SCSI bus.
DISCNCT	36	I	Disconnect pin shuts down the terminator when it is not at the end of the bus. The disconnect pin low enables the terminator.
GND	25		Analog ground.
HS/GND			Heatsink ground pins must be connected to a large ground area.
LINEn-			Signal line active line for single ended or negative line in differential applications for the SCSI bus.
LINEn+			Ground line for single ended or positive line for differential applications for the SCSI bus.
LVD	27	O	TTL compatible status bit indicating that the device has detected the bus in LVD mode. This output is not valid in disconnect mode.
REG	10	O	Regulator bypass pin, must be connected to a 4.7-μF capacitor.
SE	26	O	TTL compatible status bit indicating that the device has detected the bus in single ended mode. This output is not valid in disconnect mode.
TRMPWR	3		VIN 2.7-V to 5.25-V supply, bypass near the terminators with a 4.7-μF capacitor to ground.

APPLICATION INFORMATION

The UCC5628 is a multimode active terminator with selectable single ended (SE) and low voltage differential (LVD) SCSI termination integrated into a monolithic component. Mode selection is accomplished with the *diff sense* signal.

The diff sense signal is a three level signal, which is driven at each end of the bus by one active terminator. A LVD or multimode terminator drives the diff sense line to 1.3 V. If diff sense is at 1.3 V, then bus is in LVD mode. If a single ended SCSI device is plugged into the bus, the diff sense line is shorted to ground. With diff sense shorted to ground, the terminator changes to single ended mode to accommodate the SE device. If a HVD device is plugged in to the bus, the diff sense line is pulled high and the terminator shuts down.

The diff sense line is driven and monitored by the terminator through a 50-Hz noise filter for SPI-2 and a 100-ms to 300-ms filter for SPI-3 and SPI-4 at the DIFFB input pin. A set of comparators, that allow for ground shifts, determine the bus status as follows. Any diff sense signal below 0.5 V is single ended, between 0.7 V and 1.9 V is LVD and above 2.4 V is HVD.

In the single ended mode, a multimode terminator has a 110- Ω terminating resistor connected to a 2.7-V termination voltage regulator. The 2.7-V regulator is used on all unitrode terminators designed for 3.3-V systems. This requires the terminator to operate in specification down to 2.7-V TRMPWR voltage to allow for the 3.3-V supply tolerance, an unidirectional fusing device and cable drop. At each L+ pin, a ground driver drives the pin to ground, while in single ended mode. The ground driver is specially designed so it will not effect the capacitive balance of the bus when the device is in LVD or disconnect mode. The device requirements call for 1.5-pF balance on the lines of a differential pair. The terminator capacitance has to be a small part of the capacitance imbalance.

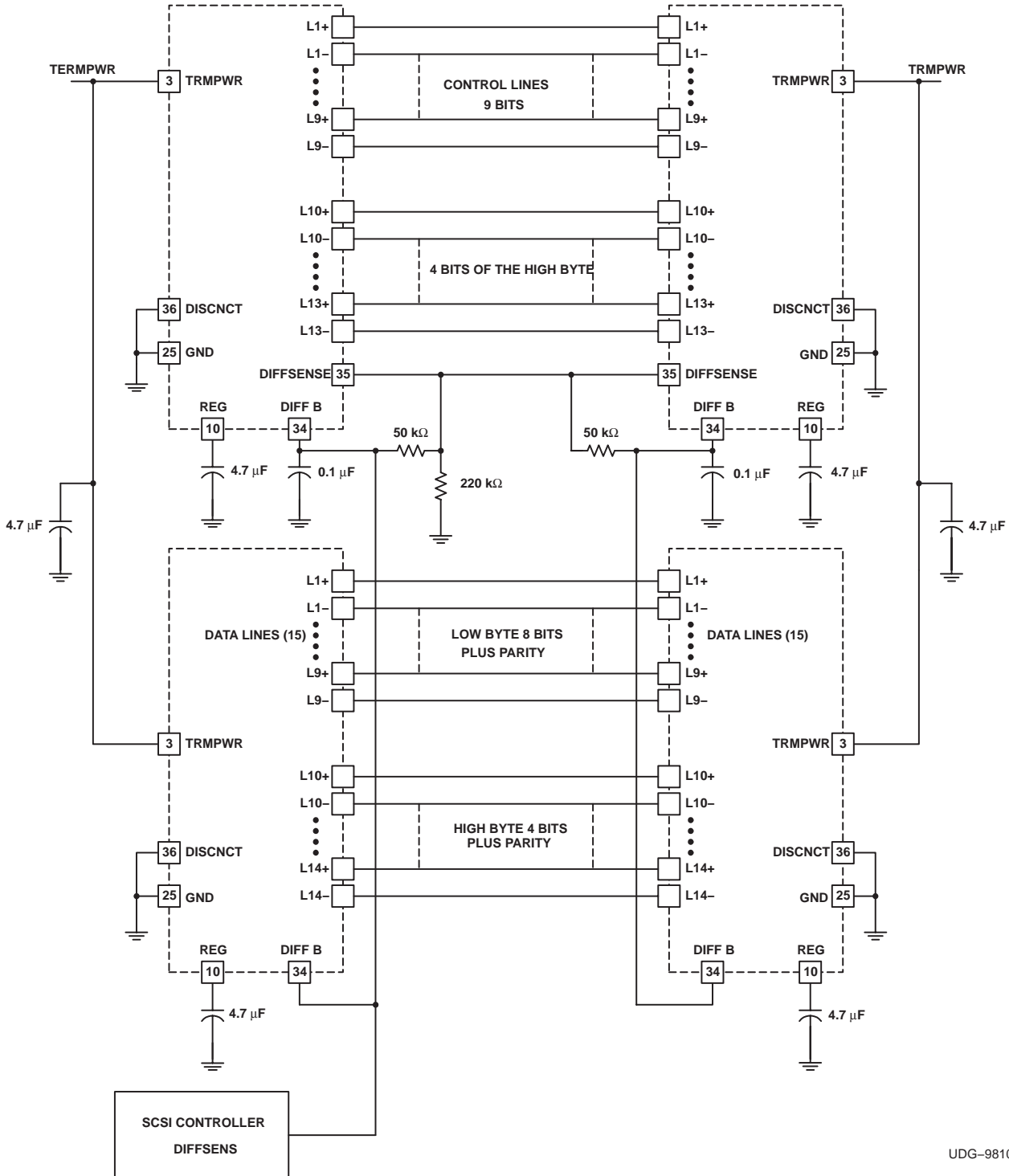
Layout is very critical for Ultra2, Ultra3, Ultra160 and Ultra320 systems. Multilayer boards need to adhere to the 120- Ω impedance standard, including connector and feed-through. This is normally done on the outer layers with 4-mil etch and 4-mil spacing between the runs within a pair, and a minimum of 8-mil spacing to the next pair. This spacing between the pairs reduces potential crosstalk. Beware of feed-throughs and each through-hole connection adds a lot of capacitance. Standard power and ground plane spacing yields about 1 pF to each plane. Each feed-through will add about 2.5 pF to 3.5 pF. Enlarging the clearance holes on both power and ground planes can reduce the capacitance and opening up the power and ground planes under the connector can reduce the capacitance for through-hole connector applications. Microstrip technology is normally too low of impedance and should not be used. It is designed for 50 Ω rather than 120- Ω differential systems.

Capacitance balance is critical for Ultra2, Ultra3, Ultra160 and Ultra320. The balance capacitance standard is 0.5 pF per line with the balance between pairs of 2 pF. The components are designed with very tight balance, typically 0.1 pF between pins in a pair and 0.3 pF between pairs. Layout balance is critical, feed-throughs and etch length must be balanced, preferably no feed-throughs would be used. Capacitance for devices should be measured in the typical application, material and components above and below the circuit board effect the capacitance.

Multimode terminators need to consider power dissipation; the UCC5628 is offered in a power package with heat sink ground pins. These heat-sink ground pins are directly connected to the die mount paddle under the die and conduct heat from the die to reduce the junction temperature. These pins need to be connected to etch area or a feed-through per pin connecting to the ground plane layer on a multilayer board.

In 3.3-V TRMPWR systems, the UCC3912 should be used to replace the fuse and diode. This reduces the voltage drop, allowing for cable drop to the far end terminator. 3.3-V battery systems normally have a 10% tolerance. The UCC3912 is 150-mV drop under LVD loads, allowing 150-mV drop in the cable system. All Unitrode LVD and multimode terminators are designed for 3.3-V systems, operating down to 2.7 V.

APPLICATION INFORMATION



UDG-98100

NOTE: A 220-kΩ resistor is added to ground to insure the transceivers will come up in single-ended mode when no terminator is enabled. The controller DIFFSENS ties to the DIFFB pin on the terminators, only one RC network should be on a device.

NOTE: * For SPI-2 systems a 20-kΩ resistor and 0.1-μF capacitor is used. For SPI-3 and SPI-4 systems a 50-kΩ resistor and 4.7-μF capacitor is used.

PACKAGING INFORMATION

Orderable Device	Status ⁽¹⁾	Package Type	Package Drawing	Pins	Package Qty	Eco Plan ⁽²⁾	Lead/Ball Finish	MSL Peak Temp ⁽³⁾
UCC5628FQP	ACTIVE	LQFP	PT	48	250	Green (RoHS & no Sb/Br)	CU NIPDAU	Level-3-260C-168 HR
UCC5628FQPG4	ACTIVE	LQFP	PT	48	250	Green (RoHS & no Sb/Br)	CU NIPDAU	Level-3-260C-168 HR
UCC5628FQPTR	ACTIVE	LQFP	PT	48	1000	Green (RoHS & no Sb/Br)	CU NIPDAU	Level-3-260C-168 HR
UCC5628FQPTRG4	ACTIVE	LQFP	PT	48	1000	Green (RoHS & no Sb/Br)	CU NIPDAU	Level-3-260C-168 HR

⁽¹⁾ The marketing status values are defined as follows:

ACTIVE: Product device recommended for new designs.

LIFEBUY: TI has announced that the device will be discontinued, and a lifetime-buy period is in effect.

NRND: Not recommended for new designs. Device is in production to support existing customers, but TI does not recommend using this part in a new design.

PREVIEW: Device has been announced but is not in production. Samples may or may not be available.

OBSOLETE: TI has discontinued the production of the device.

⁽²⁾ Eco Plan - The planned eco-friendly classification: Pb-Free (RoHS), Pb-Free (RoHS Exempt), or Green (RoHS & no Sb/Br) - please check <http://www.ti.com/productcontent> for the latest availability information and additional product content details.

TBD: The Pb-Free/Green conversion plan has not been defined.

Pb-Free (RoHS): TI's terms "Lead-Free" or "Pb-Free" mean semiconductor products that are compatible with the current RoHS requirements for all 6 substances, including the requirement that lead not exceed 0.1% by weight in homogeneous materials. Where designed to be soldered at high temperatures, TI Pb-Free products are suitable for use in specified lead-free processes.

Pb-Free (RoHS Exempt): This component has a RoHS exemption for either 1) lead-based flip-chip solder bumps used between the die and package, or 2) lead-based die adhesive used between the die and leadframe. The component is otherwise considered Pb-Free (RoHS compatible) as defined above.

Green (RoHS & no Sb/Br): TI defines "Green" to mean Pb-Free (RoHS compatible), and free of Bromine (Br) and Antimony (Sb) based flame retardants (Br or Sb do not exceed 0.1% by weight in homogeneous material)

⁽³⁾ MSL, Peak Temp. -- The Moisture Sensitivity Level rating according to the JEDEC industry standard classifications, and peak solder temperature.

Important Information and Disclaimer:The information provided on this page represents TI's knowledge and belief as of the date that it is provided. TI bases its knowledge and belief on information provided by third parties, and makes no representation or warranty as to the accuracy of such information. Efforts are underway to better integrate information from third parties. TI has taken and continues to take reasonable steps to provide representative and accurate information but may not have conducted destructive testing or chemical analysis on incoming materials and chemicals. TI and TI suppliers consider certain information to be proprietary, and thus CAS numbers and other limited information may not be available for release.

In no event shall TI's liability arising out of such information exceed the total purchase price of the TI part(s) at issue in this document sold by TI to Customer on an annual basis.

TAPE AND REEL INFORMATION



QUADRANT ASSIGNMENTS FOR PIN 1 ORIENTATION IN TAPE



*All dimensions are nominal

Device	Package Type	Package Drawing	Pins	SPQ	Reel Diameter (mm)	Reel Width W1 (mm)	A0 (mm)	B0 (mm)	K0 (mm)	P1 (mm)	W (mm)	Pin1 Quadrant
UCC5628FQPTR	LQFP	PT	48	1000	330.0	16.4	9.6	9.6	1.9	12.0	16.0	Q2

TAPE AND REEL BOX DIMENSIONS

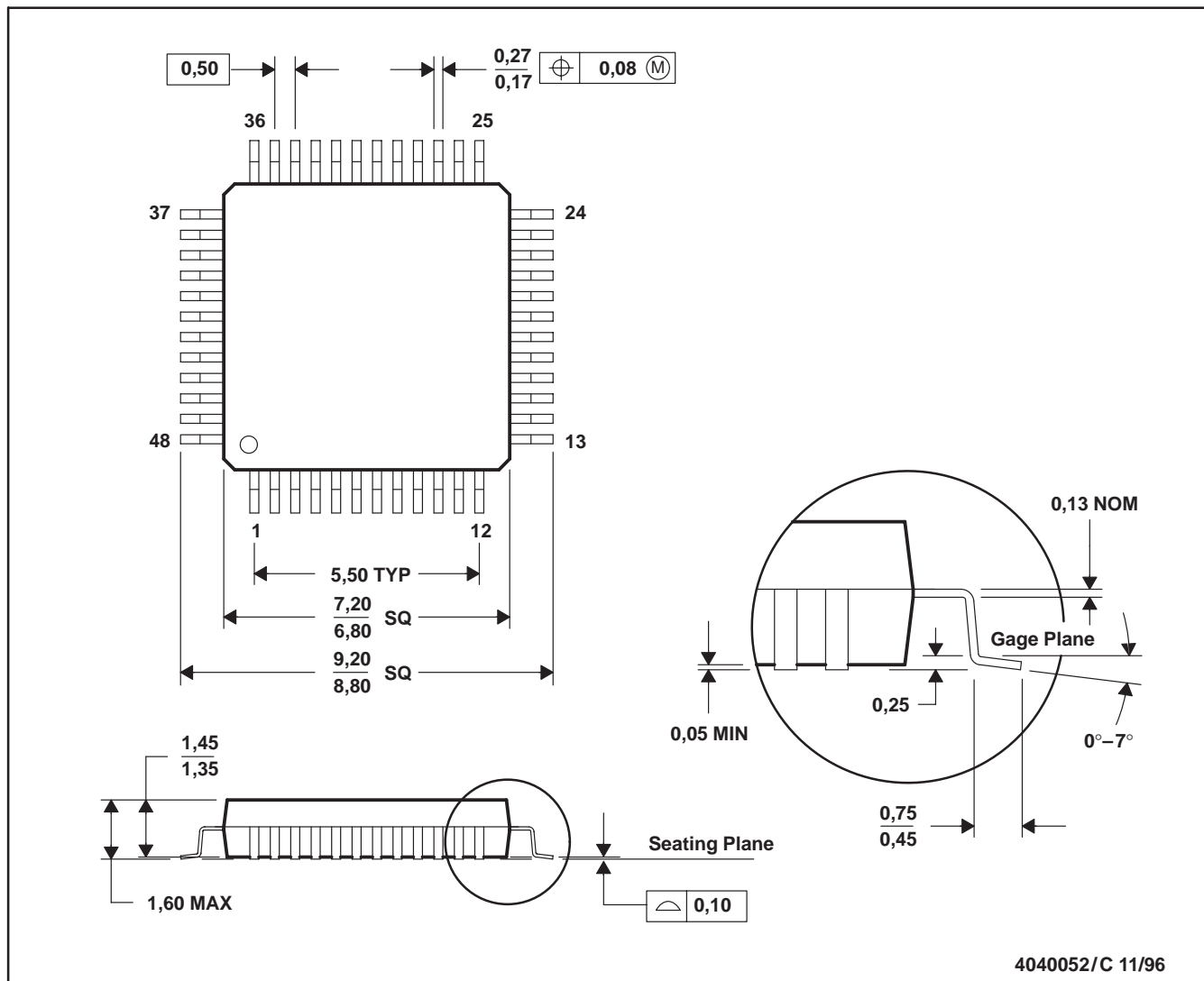


*All dimensions are nominal

Device	Package Type	Package Drawing	Pins	SPQ	Length (mm)	Width (mm)	Height (mm)
UCC5628FQPTR	LQFP	PT	48	1000	346.0	346.0	33.0

PT (S-PQFP-G48)

PLASTIC QUAD FLATPACK



- NOTES: A. All linear dimensions are in millimeters.
 B. This drawing is subject to change without notice.
 C. Falls within JEDEC MS-026
 D. This may also be a thermally enhanced plastic package with leads connected to the die pads.

IMPORTANT NOTICE

Texas Instruments Incorporated and its subsidiaries (TI) reserve the right to make corrections, modifications, enhancements, improvements, and other changes to its products and services at any time and to discontinue any product or service without notice. Customers should obtain the latest relevant information before placing orders and should verify that such information is current and complete. All products are sold subject to TI's terms and conditions of sale supplied at the time of order acknowledgment.

TI warrants performance of its hardware products to the specifications applicable at the time of sale in accordance with TI's standard warranty. Testing and other quality control techniques are used to the extent TI deems necessary to support this warranty. Except where mandated by government requirements, testing of all parameters of each product is not necessarily performed.

TI assumes no liability for applications assistance or customer product design. Customers are responsible for their products and applications using TI components. To minimize the risks associated with customer products and applications, customers should provide adequate design and operating safeguards.

TI does not warrant or represent that any license, either express or implied, is granted under any TI patent right, copyright, mask work right, or other TI intellectual property right relating to any combination, machine, or process in which TI products or services are used. Information published by TI regarding third-party products or services does not constitute a license from TI to use such products or services or a warranty or endorsement thereof. Use of such information may require a license from a third party under the patents or other intellectual property of the third party, or a license from TI under the patents or other intellectual property of TI.

Reproduction of TI information in TI data books or data sheets is permissible only if reproduction is without alteration and is accompanied by all associated warranties, conditions, limitations, and notices. Reproduction of this information with alteration is an unfair and deceptive business practice. TI is not responsible or liable for such altered documentation. Information of third parties may be subject to additional restrictions.

Resale of TI products or services with statements different from or beyond the parameters stated by TI for that product or service voids all express and any implied warranties for the associated TI product or service and is an unfair and deceptive business practice. TI is not responsible or liable for any such statements.

TI products are not authorized for use in safety-critical applications (such as life support) where a failure of the TI product would reasonably be expected to cause severe personal injury or death, unless officers of the parties have executed an agreement specifically governing such use. Buyers represent that they have all necessary expertise in the safety and regulatory ramifications of their applications, and acknowledge and agree that they are solely responsible for all legal, regulatory and safety-related requirements concerning their products and any use of TI products in such safety-critical applications, notwithstanding any applications-related information or support that may be provided by TI. Further, Buyers must fully indemnify TI and its representatives against any damages arising out of the use of TI products in such safety-critical applications.

TI products are neither designed nor intended for use in military/aerospace applications or environments unless the TI products are specifically designated by TI as military-grade or "enhanced plastic." Only products designated by TI as military-grade meet military specifications. Buyers acknowledge and agree that any such use of TI products which TI has not designated as military-grade is solely at the Buyer's risk, and that they are solely responsible for compliance with all legal and regulatory requirements in connection with such use.

TI products are neither designed nor intended for use in automotive applications or environments unless the specific TI products are designated by TI as compliant with ISO/TS 16949 requirements. Buyers acknowledge and agree that, if they use any non-designated products in automotive applications, TI will not be responsible for any failure to meet such requirements.

Following are URLs where you can obtain information on other Texas Instruments products and application solutions:

Products

Amplifiers	amplifier.ti.com
Data Converters	dataconverter.ti.com
DSP	dsp.ti.com
Clocks and Timers	www.ti.com/clocks
Interface	interface.ti.com
Logic	logic.ti.com
Power Mgmt	power.ti.com
Microcontrollers	microcontroller.ti.com
RFID	www.ti-rfid.com
RF/IF and ZigBee® Solutions	www.ti.com/lprf

Applications

Audio	www.ti.com/audio
Automotive	www.ti.com/automotive
Broadband	www.ti.com/broadband
Digital Control	www.ti.com/digitalcontrol
Medical	www.ti.com/medical
Military	www.ti.com/military
Optical Networking	www.ti.com/opticalnetwork
Security	www.ti.com/security
Telephony	www.ti.com/telephony
Video & Imaging	www.ti.com/video
Wireless	www.ti.com/wireless

Mailing Address: Texas Instruments, Post Office Box 655303, Dallas, Texas 75265
Copyright © 2008, Texas Instruments Incorporated