
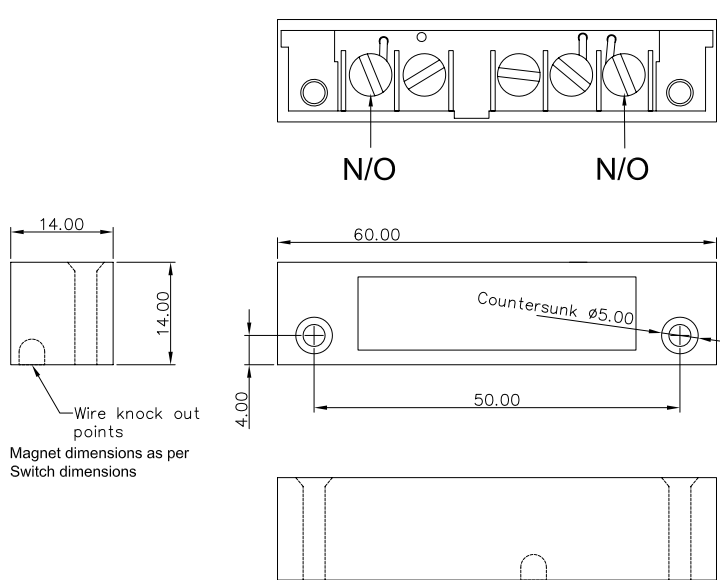


PICTURE	DIMENSIONS
 <p style="background-color: green; color: white; padding: 2px; display: inline-block;">✓ RoHS Compliant</p>	 <p>Wire knock out points Magnet dimensions as per Switch dimensions</p> <p>Drawings not to scale All dimensions in mm nominal</p>

SPECIFICATION

Contact Form / Style	Normally Open	
Grade	1	
Switching Voltage	Max Volts AC/DC	140
Switching Current	Max Amps	0.5
Carry Current	Max Amps	1.0
Power	Max W/VA	10
Insulation Resistance	Max MOhms	100
Contact Resistance	Max mOhms	150
Operating Temperature	Celsius	- 40° to 60°
Case Material	High Impact Polystyrene	
Operating Distance	Millimetres	20

Applications Include	Options
----------------------	---------

- Alarm Systems.
- Appliance switching.
- Production Automation.
- Safety Door Guards.

- 15 or 20mm operating distances available.
- Normally closed and Change over types available.

Did you know we also sell?



- Custom cable types, cable lengths, connectors or crimp terminals.
- If you do not see what you need, just ask, as there is a strong possibility we can do it !

Rev. No.	Revision Note	Date	Signature
1	Datasheet	08-07-15	ML



As part of the company policy of continued product improvement, specifications may change without notice. Our sales office will be pleased to help you with the latest information on this product range and the details of our full design and manufacturing service. All products are supplied to our standard conditions of sale unless otherwise agreed in writing.

Phone : +44 (0)1255 862236

www.comus-intl.com

Fax: +44 (0)1255 862014