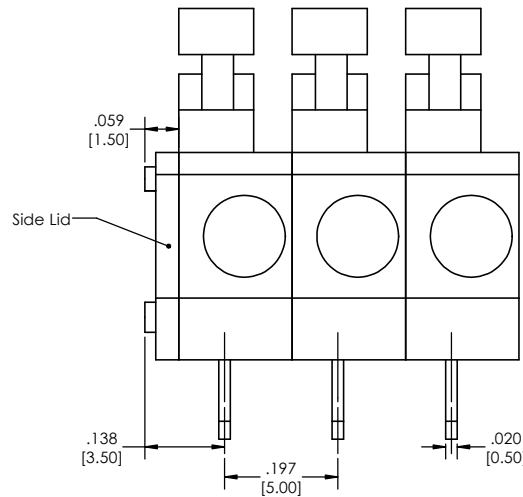
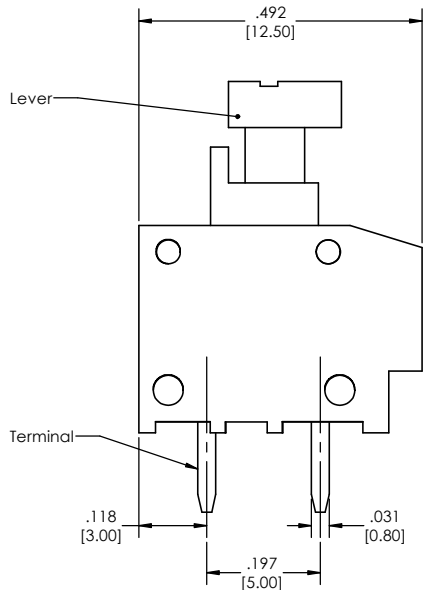
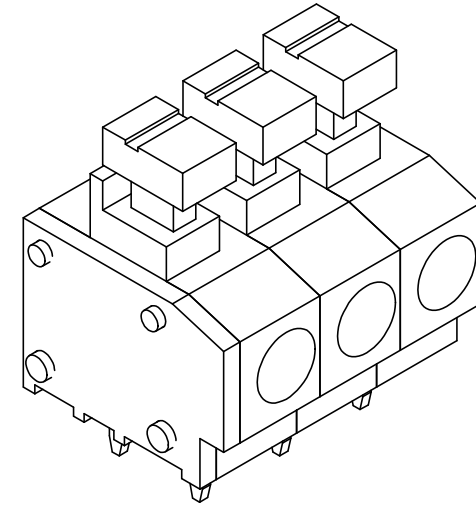
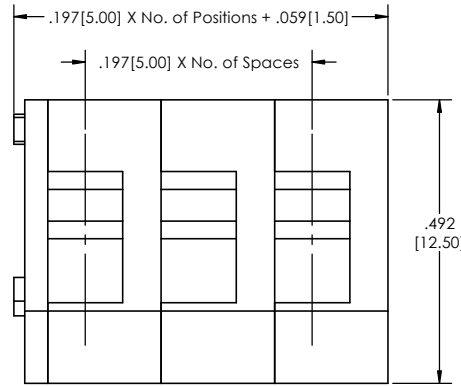
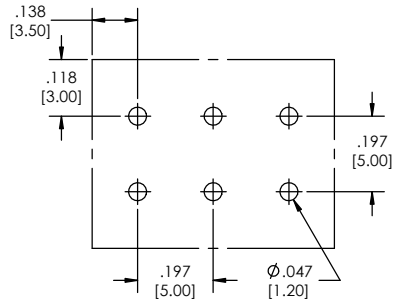


Recommended P.C. Board Layout
SCALE 4:1



TBS - 00 - **197** - **XX** - **XX** - **LF**
(A) (B) (C) (D)

- A. Pitch**
- 197= .197(5.00) cl
- B. No. of Positions**
- 02-24
- C. Color**
- GR= Green (Standard)
- BK= Black
- BL= Blue
- WH= White
- GY= Grey
- OR= Orange
- YW= Yellow
- RD= Red
- BR= Brown
- D. Lead Free**
- Specifications:**
Current Rating: 10 Ampere
Voltage Rating: AC 250V
Wire Range: 16-22 AWG
Insulation Resistance: DC 500V 1000M ohms
Dielectric Withstanding Voltage: AC 2500V/1 minute
Operation Temperature: -33°C to +105°C
Strip Length: .236-.276 (6-7mm)

- Materials:**
1. Body: PA66 (Nylon), UL94 V-0
 2. Lever: PA66 (Nylon), UL94V-0
 3. Side Lid: PA66 (Nylon), UL94V-0
 4. Contact: SUS301 Stainless Steel
 5. Terminal: H65, Brass, Tin Plated

Tails may be clipped to achieve specific dimensions.
Products cut to specific sizes are uncancellable/ nonreturnable.
Parts are subject to change without notice.



PROPRIETARY AND CONFIDENTIAL
THE INFORMATION CONTAINED IN THIS DRAWING IS THE SOLE PROPERTY OF Major League Electronics. ANY REPRODUCTION IN PART OR AS A WHOLE WITHOUT THE WRITTEN PERMISSION OF Major League Electronics IS PROHIBITED.

UNLESS OTHERWISE SPECIFIED:		NAME		DATE	
DIMENSIONS ARE IN INCHES		DRAWN	EOW	04/16/14	
TOLERANCES:		CHECKED	GWE	04/16/14	
ONE DECIMALS ±.100		ENG APPR.			
TWO DECIMAL ±.100		MFG APPR.			ADDRESS: 2533 Centennial Blvd. Jeffersonville, In 47130 Phone: 812-670-4174 Fax: 812-670-4175 E-Mail: mle@mlelectronics.com
THREE DECIMAL ±.005		INTERPRET GEOMETRIC TOLERANCING PER:		TITLE: TBS-00-197 Series SIZE DWG. NO. C	
FOUR DECIMAL ±.002		MATERIAL			
NEXT ASSY	USED ON	FINISH		SCALE 6:1	
APPLICATION		DO NOT SCALE DRAWING			