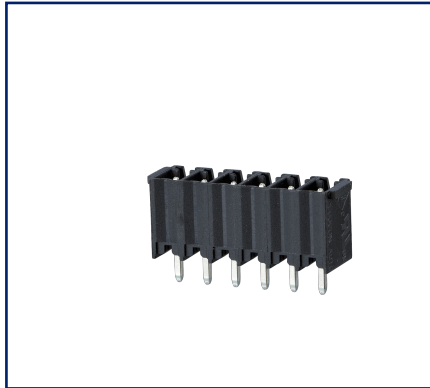


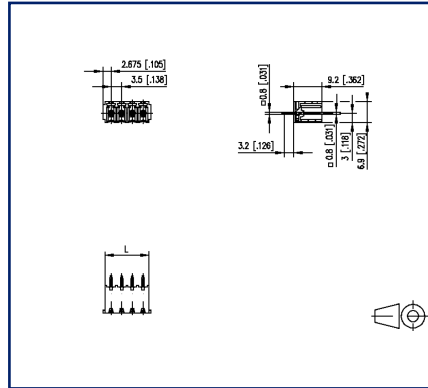
Data sheet

PR043xxVBBN Type 189

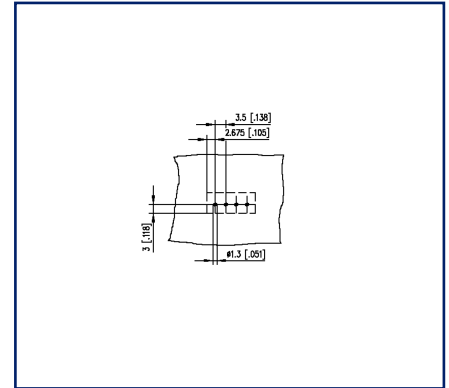
Illustrations



Dimensional drawing



Drill pattern




See enlarged drawings at the end of document

Product specification

- pin header, THR solderable
- centerline 3.50 mm, direction of connection vertical 0°
- closed ends
- color black
- Tape & Reel packaging possible
- codeable



Technical Data

General Data			
Solder pin length	3.2 mm		
min. number of poles	2		
max. number of poles	16		
Insulating material class	CTI 600		
clearance/creepage dist.	2.7 mm		
Protection category	IP00		
Rated current	10 A		
Overvoltage category	III	III	II
Pollution degree	3	2	2
Rated voltage	200 V	500 V	500 V
Rated test voltage	2.5 kV	2.5 kV	2.5 kV
Approvals			
 V / A	300 / 10		
approval UL - File No.	E121004		
1.5 mm ²	130 V / 2.5 kV / 10 A / 0.8 x 0.8 mm		
Material			
insulating material	PA66/6T		
flammability class	V0		
contact pin material	CuMg		
contact pin surface	Ni + Sn		
Glow-Wire Flammability GWFI	960 °C acc. to IEC 60695-2-12		
Glow-Wire Flammability GWIT	775 °C acc. to IEC 60695-2-13		
REACH	compliant		
Climatic Data			
upper limit temperature	105 °C		
lower limit temperature	-40 °C		
general			
Tolerance	ISO 2768 -mH		
Solderability	Acc. to IPC/JEDEC J-STD-020D-MSL 1		

U | Contact

Data sheet
PR043xxVBBN Type 189

Page 3/6

P/N
311891xx

xx=number of poles

2022/12/20

Version: V

Accessories

P/N	Designation
720293-01-2	Coding Star for pin header, centerline 3.81 mm

© 2022 METZ CONNECT - Technische Änderungen vorbehalten! Subject to modifications! Sous réserve de modifications techniques!



U | Contact

Data sheet
PR043xxVBBN Type 189

Page 4/6

P/N
311891xx

xx=number of poles

2022/12/20

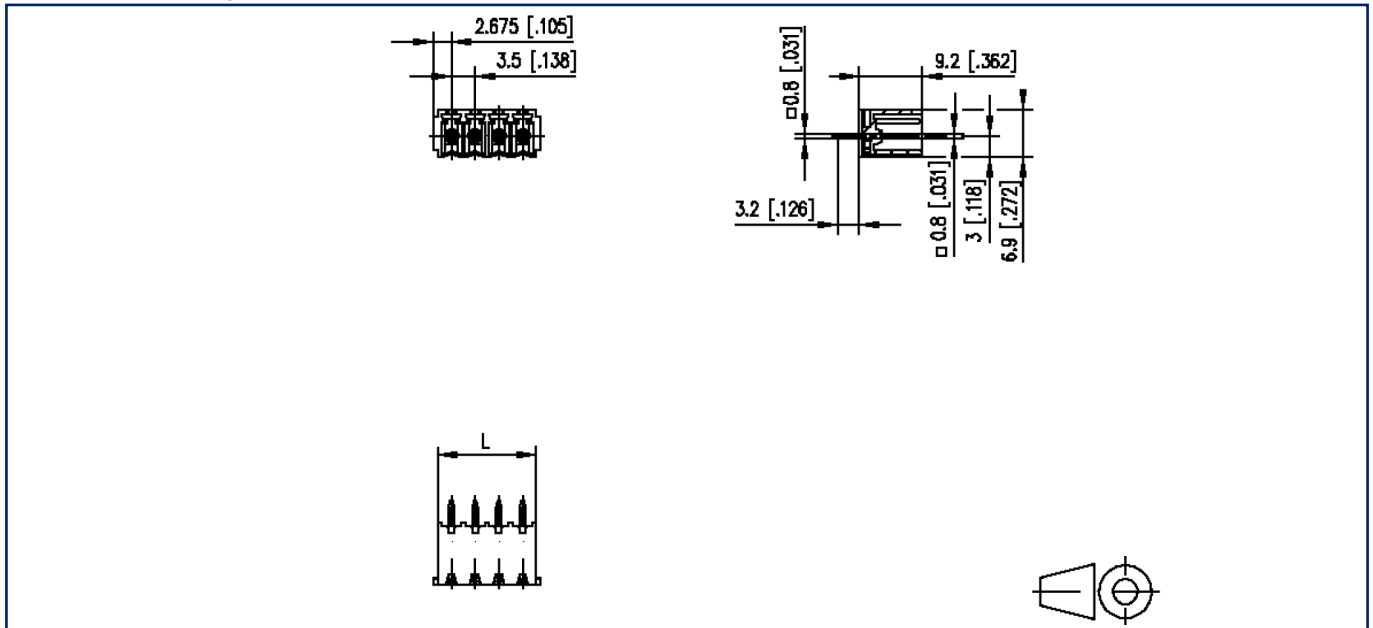
Version: V

Counterpart of

P/N	Designation
310891	FT143xxVBFC Type 089
313391	RP033xxVBLC Type 339
316131	RP043xxHBLD Typ 613
316141	RP043xxHBLC Typ 614
ASP043	SP043xxVBNN ASP043
ASP063	SP063xxVGNN ASP063

Illustrations

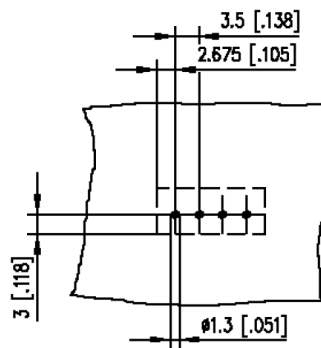
Dimensional drawing



$L = (\text{pole size} - 1) \times \text{centerline} + 5.35 \text{ mm} [0.211]$

Illustrations

Drill pattern



© 2022 METZ CONNECT - Technische Änderungen vorbehalten! Subject to modifications! Sous réserve de modifications techniques!