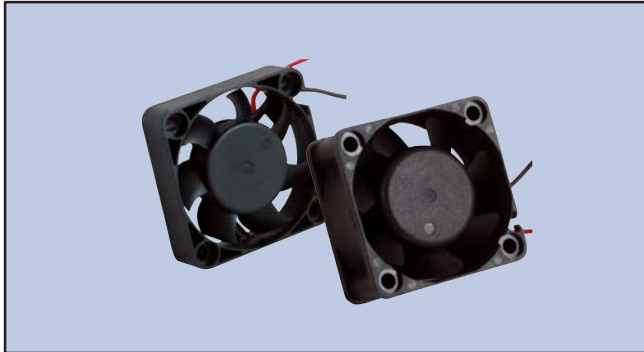


Fan, DC Types, 40 x 40mm



Features

- High Speed
- Ball Bearings
- 26 AWG Red (+) and Black (-) Leads
- 11.8" (300mm) Lead Length



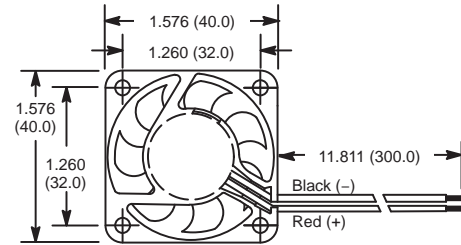
DC OPERATED

NTE Type No.	Rated Voltage	Max. Input Current	Max. Input Power (W)	Speed $\pm 10\%$ (RPM)	Max Air Flow (CFM)	Max Acoustical Noise	Diag No.
77-4010D12	12	0.10A	1.24	7000	7.73	36dB(A)	F1a
77-4010D24	24	0.10A	2.48	7000	7.73	36dB(A)	F1a
77-4020D12	12	0.14A	1.66	7500	8.13	35dB(A)	F1b
77-4020D24	24	0.08A	1.93	7500	8.13	35dB(A)	F1b

ACCESSORIES

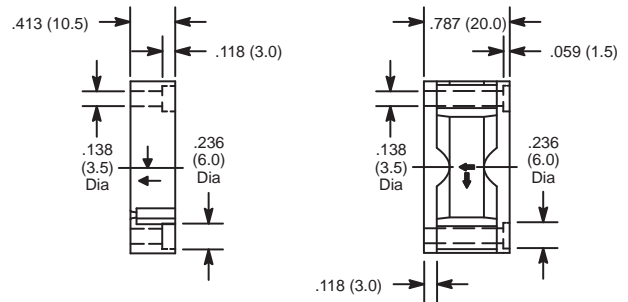
FAN TYPE	DESCRIPTION	NTE TYPE NO.
40 X 40mm	Fan Guard, Metal	77-MG40
40 X 40mm	Fan Filter, 3-Piece w/Cover	77-FF40

F1



a: 10mm

b: 20mm



Specifications

Electrical Characteristics

Insulation Resistance: 10M \pm Min. (at 500VDC) between frame and positive terminal

Dielectric Strength: 500VAC, 1 minute; 600VAC, 1 sec at 5mA Max. between frame and positive terminal

Life Expectancy: Approx. 70000 hours at rated voltage, +40°C, 15% to 65% RH

Mechanical Characteristics

Frame: Thermoplastic, Black, UL94V-0

Impeller: Thermoplastic, Black, UL94V-0

Bearing: 2 Ball Bearings

Weight: Approx. 16g (10mm); 29g (20mm)

Environmental Characteristics

Operating Temperature: -10°C to +70°C

Storage Temperature: -40°C to +75°C

Operating Humidity: 35% to 85% RH

Storage Humidity: 35% to 85% RH

Protection

Polarity: Damage will not occur for up to 10 minutes with positive and negative leads connected in reverse.

Locked Rotor: Within 72 hours of a rotor locking condition, at the rated voltage and operating temperature, the impedance of the motor winding will protect the motor from damage.