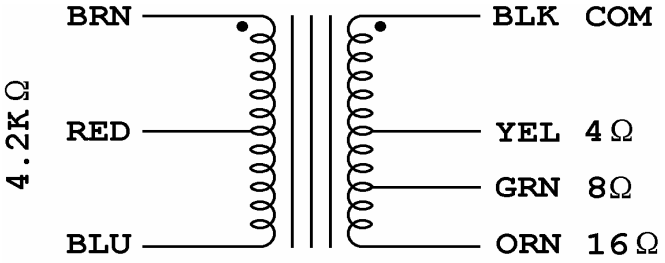
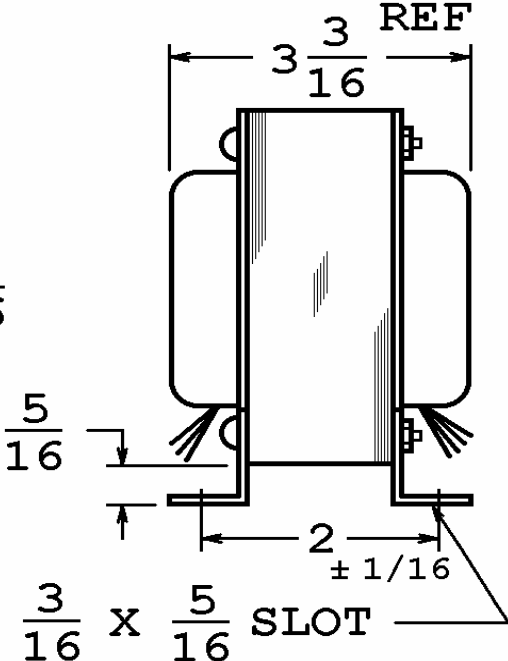
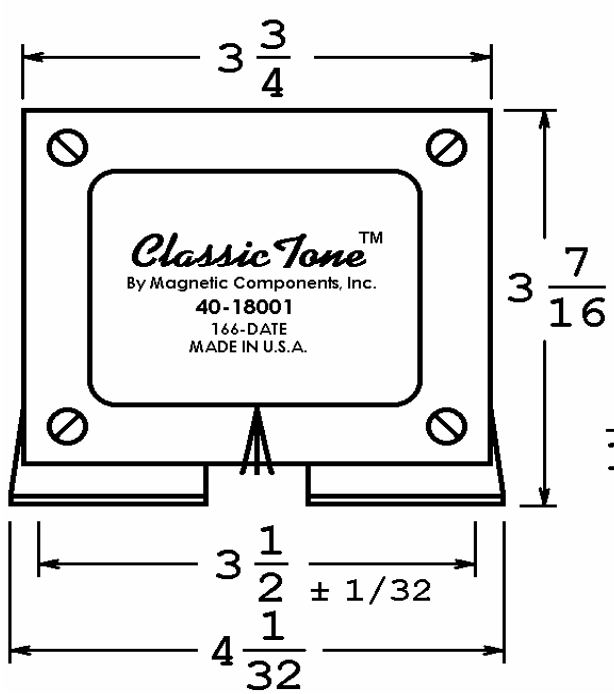


40-18001

This drawing is the property of Magnetic Components, Inc. and shall not be reproduced, in whole or in part, without the written permission of Magnetic Components, Inc.

REVISIONS			
LTR	DESCRIPTION	DATE	APPROVED
A	ADD TRU-TONE MARKING	2/24/2009	M. Sacketti
B	DEL TRU-TONE MARKING	5/1/2009	M. Sacketti
C	ADD ClassicTone & PROPRIETARY NOTE	01/06/10	M. Sacketti
D	3-3/16 REF WAS 3-1/16 REF	04/14/11	M. Sacketti
E	TITLE WAS 60W	03/23/12	M. Sacketti



UNLESS OTHERWISE SPECIFIED ALL DIMENSIONS IN INCHES DO NOT SCALE DRAWING FRACTIONS +/- .X = +/- .XX = +/- .XXX = +/- ANGLES = +/-	SIGNATURES		DATE	MAGNETIC COMPONENTS, INC.	DIV : LOC : SCHILLER PK	
	DRAWN : <i>M. Sacketti</i>		05 FEB 09	TITLE 50/60W OUTPUT TRANSFORMER		
	CHECK :					
	APPR : <i>M. Sacketti</i>		05 FEB 09	CAGE 50508	SIZE A	PART No. 40-18001
				SCALE NONE	SHEET :	