



# μP Compatible 14-Bit D/A Converter

MX7536

## General Description

The MX7536 is a high performance CMOS monolithic 14-bit digital-to-analog converter (DAC) that is optimized and specified to operate as a bipolar output part. Since the resistors required for 4-quadrant multiplying operation are included in the MX7536, only two op amps and a voltage reference are required externally. Wafer level laser trimmed thin-film resistors and temperature compensated NMOS switches assure specified performance over the full operating temperature ranges with exceptional linearity and gain stability.

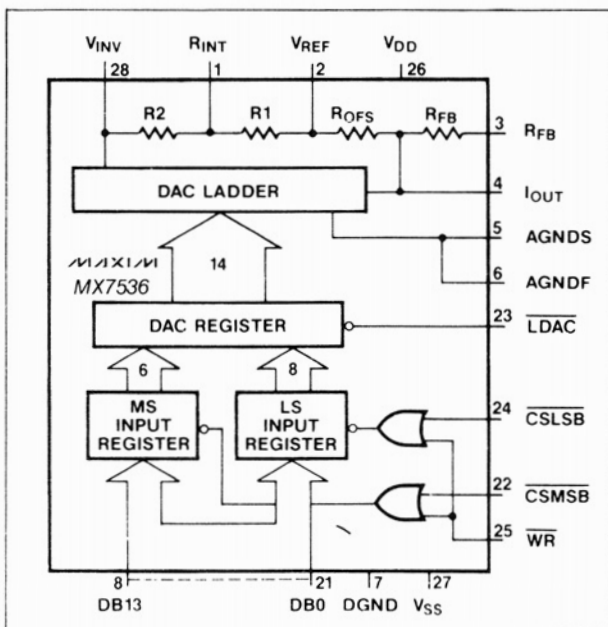
The MX7536 is configured to operate with an 8- or 16-bit data bus with separate Most Significant (MS) and Least Significant (LS) byte chip select controls. In addition, all digital inputs are compatible with both TTL and 5V CMOS logic levels. The device is protected against CMOS "latchup" and does not require external Schottky protection diodes.

The MX7536 is available in 28-pin 600 mil wide DIP, PLCC or Small Outline (SO) packages.

## Applications

- Machine and Motion Control Systems
- Automatic Test Equipment
- Digital Audio
- μP Controlled Calibration Circuitry
- Programmable Gain Amplifiers
- Digitally Controlled Filters
- Programmable Power Supplies

## Functional Diagram



## Features

- ◆ 14-Bit Monotonic over Full Temperature Range
- ◆ Full 4-Quadrant Multiplication
- ◆ μP Compatible Double Buffered Inputs
- ◆ Exceptionally Low Gain Tempco (2ppm/°C)
- ◆ Low Output Leakage (<20nA) over the Full Temperature Range
- ◆ Low Power Consumption
- ◆ TTL and CMOS Compatible

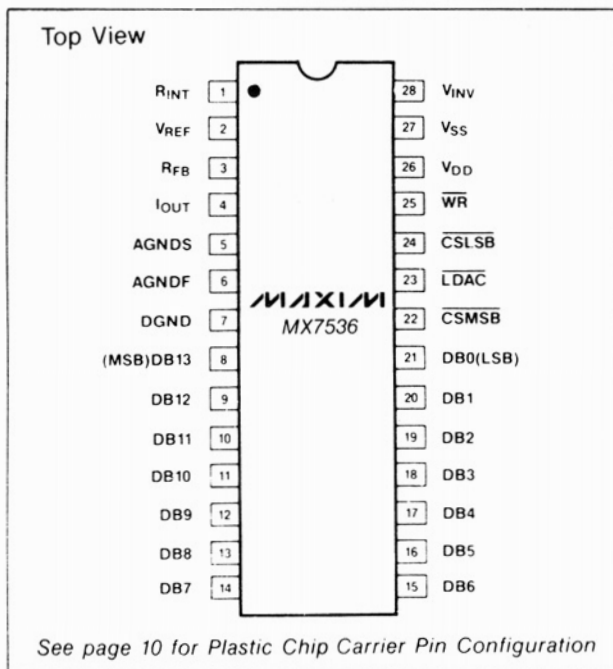
## Ordering Information

| PART       | TEMP. RANGE    | PACKAGE*    | ACCURACY |
|------------|----------------|-------------|----------|
| MX7536JN   | 0°C to +70°C   | Plastic DIP | ±2 LSB   |
| MX7536KN   | 0°C to +70°C   | Plastic DIP | ±1 LSB   |
| MX7536JCWI | 0°C to +70°C   | Wide SO     | ±2 LSB   |
| MX7536KCWI | 0°C to +70°C   | Wide SO     | ±1 LSB   |
| MX7536JP   | 0°C to +70°C   | PLCC        | ±2 LSB   |
| MX7536KP   | 0°C to +70°C   | PLCC        | ±1 LSB   |
| MX7536J/D  | 0°C to +70°C   | Dice        | ±2 LSB   |
| MX7536AQ   | -25°C to +85°C | CERDIP      | ±2 LSB   |
| MX7536BQ   | -25°C to +85°C | CERDIP      | ±1 LSB   |
| MX7536AD   | -25°C to +85°C | Ceramic     | ±2 LSB   |
| MX7536BD   | -25°C to +85°C | Ceramic     | ±1 LSB   |

(Ordering information continued on page 10.)

\*Maxim reserves the right to ship Ceramic in lieu of CERDIP packages.

## Pin Configuration



See page 10 for Plastic Chip Carrier Pin Configuration

MAXIM is a registered trademark of Maxim Integrated Products.



Maxim Integrated Products 1

For pricing, delivery, and ordering information, please contact Maxim/Dallas Direct! at 1-888-629-4642, or visit Maxim's website at [www.maxim-ic.com](http://www.maxim-ic.com).

# μP Compatible 14-Bit D/A Converter

## ABSOLUTE MAXIMUM RATINGS

|                                   |                              |                                     |                              |
|-----------------------------------|------------------------------|-------------------------------------|------------------------------|
| V <sub>DD</sub> to DGND           | -0.3V, +17V                  | AGND to DGND                        | -0.3V, V <sub>DD</sub> +0.3V |
| V <sub>SS</sub> to AGND           | -15V, +0.3V                  | Power Dissipation (any package)     | 1000mW                       |
| V <sub>REF</sub> to AGND          | ±25V                         | Derate above 75°C                   | 10mW/°C                      |
| R <sub>FB</sub> to AGND           | ±25V                         | Operating Temperature Ranges        |                              |
| R <sub>INT</sub> to AGND          | ±25V                         | MX7536J/K                           | 0°C to +70°C                 |
| V <sub>INV</sub> to AGND          | ±25V                         | MX7536A/B                           | -25°C to +85°C               |
| Digital Input Voltage (pins 8-25) |                              | MX7536S/T                           | -55°C to +125°C              |
| to DGND                           | -0.3V, V <sub>DD</sub> +0.3V | Storage Temperature                 | -65°C to +150°C              |
| V (pin 4) to DGND                 | -0.3V, V <sub>DD</sub> +0.3V | Lead Temperature (Soldering 10 sec) | +300°C                       |

Stresses above those listed under "Absolute Maximum Ratings" may cause permanent damage to the device. These are stress ratings only, and functional operation of the device at these or any other conditions above those indicated in the operational sections of the specifications is not implied. Exposure to absolute maximum rating conditions for extended periods may affect device reliability.

## ELECTRICAL CHARACTERISTICS

(T<sub>A</sub> = T<sub>MIN</sub> to T<sub>MAX</sub>, V<sub>DD</sub> = +11.4V to +15.75V (Note 1), V<sub>REF</sub> = +10V, V<sub>AGNDF</sub> = V<sub>AGNDS</sub> = V<sub>SS</sub> = 0V unless otherwise noted.)

| PARAMETER  | SYMBOL           | CONDITIONS   | MIN   | TYP      | MAX        | UNITS  |
|--|------------------|--|---|----------|------------|--------|
| <b>DC ACCURACY</b>   |                  |  |   |          |            |        |
| Resolution   |                  |  | 14  |          |            | Bits   |
| Relative Accuracy  |                  | MX7536K/B/T<br>MX7536J/A/S   |   |          | ±1<br>±2   | LSB    |
| Differential Non-Linearity   |                  | Guaranteed Monotonic<br>Over Temperature<br>MX7536K/B/T<br>MX7536J/A/S   |   |          | ±1         | LSB    |
| Full Scale Error   |                  | Measured with internal R <sub>FB</sub> and<br>includes effects of leakage<br>current and gain T.C.<br>MX7536J/A/S<br>MX7536K/B/T   |   |          | ±16<br>±8  | LSB    |
| Offset Error   |                  | Error due to mismatch between R <sub>FB</sub> and offset<br>resistor. It also includes leakage current to<br>I <sub>OUT</sub> and is measured when the DAC is loaded<br>with all 0s. |   |          | ±4         | LSB    |
| Gain Temperature<br>Coefficient (Note 2)<br>ΔGain/ΔTemperature     |                  |  |   | ±2       | ±5         | ppm/°C |
| Offset Temperature<br>Coefficient (Note 2)<br>ΔOffset/ΔTemperature |                  | MX7536J/A/S<br>MX7536K/B/T   |   | ±1<br>±1 | ±5<br>±2.5 | ppm/°C |
| <b>INPUT RESISTANCES</b>   |                  |  |   |          |            |        |
| V <sub>REF</sub> Input Resistance                                  | R <sub>REF</sub> |  | 3   | 6        | 13         | kΩ     |
| V <sub>INV</sub> Input Resistance                                  | R <sub>INV</sub> |  | 2   | 4        | 8          |        |
| <b>DIGITAL INPUTS</b>  |                  |  |   |          |            |        |
| Logic HIGH threshold   | V <sub>INH</sub> |  | +2.4  |          |            | V      |
| Logic LOW threshold  | V <sub>INL</sub> |  |   |          | +0.8       |        |
| Input Leakage current  |                  | Digital inputs = 0V or V <sub>DD</sub>   |   |          | ±1<br>±10  | μA     |
|  |                  |  | T <sub>A</sub> = +25°C<br>T <sub>A</sub> = T <sub>MIN</sub> to T <sub>MAX</sub> |          |            |        |
| Input Capacitance<br>(Note 2)                                      | C <sub>IN</sub>  |  |   |          | 7          | pF     |

# μP Compatible 14-Bit D/A Converter

MX7536

## ELECTRICAL CHARACTERISTICS (Continued)

( $T_A = T_{MIN}$  to  $T_{MAX}$ ,  $V_{DD} = +11.4V$  to  $+15.75V$  (Note 1),  $V_{REF} = +10V$ ,  $V_{AGNDF} = V_{AGNDS} = V_{SS} = 0V$  unless otherwise noted.)

| PARAMETER  | SYMBOL   | CONDITIONS                                  | MIN   | TYP | MAX    | UNITS |
|--|----------|---|-------|-----|--------|-------|
| <b>POWER REQUIREMENTS</b>                                |          |   |       |     |        |       |
| Positive Supply Range                                    | $V_{DD}$ | Accuracy Guaranteed                         | +11.4 |     | +15.75 | V     |
| Negative Supply Range                                    | $V_{SS}$ | Accuracy Guaranteed                         | -200  |     | -500   | mV    |
| Positive Supply Current                                  | $I_{DD}$ | Digital inputs = $V_{INH}$ or $V_{INL}$     |       |     | 4      | mA    |
|  |          | Digital inputs = 0V or $V_{DD}$             |       |     | 500    | μA    |
| Power Supply Rejection<br>$\Delta$ Gain/ $\Delta V_{DD}$ |          | $\Delta V_{DD} = V_{DD(MAX)} - V_{DD(MIN)}$ |       |     | ±0.02  | %/%   |

**Note 1:** Specifications are guaranteed for  $V_{DD}$  of +11.4V to +15.75V. At  $V_{DD}$  of 5V device is still functional with degraded specifications.

**Note 2:** Guaranteed by Product Assurance Testing.

## AC PERFORMANCE CHARACTERISTICS

These are included for Design Guidance only and are not subject to test.

( $V_{DD} = +11.4V$  to  $+15.75V$ ,  $V_{REF} = +10V$ ,  $V_{AGNDS} = V_{AGNDF} = 0V$ ,  $V_{SS} = 0V$ , Output Amplifier is AD544 unless otherwise noted.)

| PARAMETER  | SYMBOL | CONDITIONS  | MIN | TYP | MAX        | UNITS             |
|--|--------|---|-----|-----|------------|-------------------|
| Output Current Settling Time   |        | $T_A = 25^\circ C$<br>To 0.003% of full scale range.<br>$I_{OUT}$ load = 100Ω, $C_{EXT} = 13pF$ . DAC register alternately loaded with all 1s and all 0s. |     | 0.8 | 1.5        | μsec              |
| Digital to Analog Glitch Impulse   |        | $T_A = 25^\circ C$<br>Measured with $V_{REF} = 0V$ . $I_{OUT}$ load = 100Ω, $C_{EXT} = 13pF$ . DAC register alternately loaded with all 1's and all 0's.  |     | 50  |            | nV-sec            |
| Multiplying Feedthrough Error (Note 3)   |        | $V_{REF} = \pm 10V$ , 1kHz sine wave<br>DAC register loaded with 10 0000 0000 0000<br>$T_A = 25^\circ C$  |     | 4   |            | mV <sub>p-p</sub> |
| Output Capacitance<br>$C_{OUT}$ ( $I_{OUT}$ pin)<br>$C_{OUT}$ ( $I_{OUT}$ pin) |        | $T_A = T_{MIN}$ , $T_{MAX}$<br>DAC register loaded with all 1s<br>DAC register loaded with all 0s   |     |     | 260<br>130 | pF                |
| Output Noise Voltage Density (10Hz-100kHz)                                     |        | Measured between $R_{FB}$ and $I_{OUT}$<br>$T_A = 25^\circ C$   |     | 50  |            | nV/√Hz            |

**Note 3:** Feedthrough can be further reduced by connecting the metal lid on the ceramic package to DGND.

# μP Compatible 14-Bit D/A Converter

## TIMING CHARACTERISTICS

( $V_{DD} = +11.4V$  to  $+15.75V$ ,  $V_{REF} = +10V$ ,  $V_{AGNDF} = V_{AGNDS} = 0V$ ,  $V_{SS} = 0V$ . All specifications  $T_{MIN}$  to  $T_{MAX}$  unless otherwise noted. See Figure 1 for Timing Diagram.)

| PARAMETER                       | SYMBOL | CONDITIONS   | MIN               | TYP | MAX | UNITS |
|---------------------------------|--------|--|-------------------|-----|-----|-------|
| CSMSB or CSLSB to WR Setup Time | $t_1$  | $T_A = -55^\circ C$ to $+125^\circ C$  | 0                 |     |     | ns    |
| CSMSB or CSLSB to WR Hold Time  | $t_2$  | $T_A = -55^\circ C$ to $+125^\circ C$  | 0                 |     |     | ns    |
| LDAC Pulse Width                | $t_3$  | $T_A = +25^\circ C$<br>$T_A = -25^\circ C$ to $+85^\circ C$<br>$T_A = -55^\circ C$ to $+125^\circ C$ | 170<br>200<br>240 |     |     | ns    |
| Write Pulse Width               | $t_4$  | $T_A = +25^\circ C$<br>$T_A = -25^\circ C$ to $+85^\circ C$<br>$T_A = -55^\circ C$ to $+125^\circ C$ | 170<br>200<br>240 |     |     | ns    |
| Data Setup Time                 | $t_5$  | $T_A = +25^\circ C$<br>$T_A = -25^\circ C$ to $+85^\circ C$<br>$T_A = -55^\circ C$ to $+125^\circ C$ | 140<br>160<br>180 |     |     | ns    |
| Data Hold Time                  | $t_6$  | $T_A = +25^\circ C$<br>$T_A = -25^\circ C$ to $+85^\circ C$<br>$T_A = -55^\circ C$ to $+125^\circ C$ | 20<br>20<br>30    |     |     | ns    |

## Pin Description

| Pin | Function         | Description   |
|-----|------------------|---|
| 1   | R <sub>INT</sub> | Junction point for internal R1 and R2 resistors which invert the V <sub>REF</sub> with an external op amp.                  |
| 2   | V <sub>REF</sub> | Reference input to DAC. It is internally connected to R <sub>OFFS</sub> and R1.   |
| 3   | R <sub>FB</sub>  | Feedback Resistor. Used to close the loop around an external op amp.  |
| 4   | I <sub>OUT</sub> | Current Output  |
| 5   | AGNDS            | Analog Ground Sense. Reference point for external circuitry. This pin should carry minimum current.                         |
| 6   | AGNDF            | Analog Ground Force. Carries current from internal analog ground connections. AGNDS and AGNDF are tied together internally. |
| 7   | DGND             | Digital Ground  |
| 8   | DB13             | Data Bit 13 (MSB)   |
| 9   | DB12             | Data Bit 12   |
| 10  | DB11             | Data Bit 11   |
| 11  | DB10             | Data Bit 10   |
| 12  | DB9              | Data Bit 9  |
| 13  | DB8              | Data Bit 8  |
| 14  | DB7              | Data Bit 7  |
| 15  | DB6              | Data Bit 6  |
| 16  | DB5              | Data Bit 5  |
| 17  | DB4              | Data Bit 4  |
| 18  | DB3              | Data Bit 3  |
| 19  | DB2              | Data Bit 2  |
| 20  | DB1              | Data Bit 1  |
| 21  | DB0              | Data Bit 0 (LSB)  |
| 22  | CSMSB            | Chip Select Most Significant (MS) Byte Active Low.  |
| 23  | LDAC             | Asynchronous Load DAC input. Active Low.  |

| Pin | Function         | Description   |
|-----|------------------|---|
| 24  | CSLSB            | Chip Select Least Significant (LS) Byte. Active Low.                                  |
| 25  | WR               | Write input. Active Low.  |
| 26  | V <sub>DD</sub>  | +12V to +15V supply voltage.  |
| 27  | V <sub>SS</sub>  | Bias pin for high temperature low leakage configuration.                              |
| 28  | V <sub>INV</sub> | This pin must be connected to the output of the external inverting op amp (Figure 5). |

| CSMSB | CSLSB | LDAC | WR | Function                              |
|-------|-------|------|----|---------------------------------------|
| 0     | 1     | 1    | 0  | Load MS Input Register                |
| 1     | 0     | 1    | 0  | Load LS Input Register                |
| 0     | 0     | 1    | 0  | Load LS and MS Input Registers        |
| 1     | 1     | 0    | X  | Load DAC Register from Input Register |
| 0     | 0     | 0    | 0  | All Registers are transparent         |
| 1     | 1     | 1    | X  | No operation                          |
| X     | X     | 1    | 1  | No operation                          |

NOTE: X = Don't Care

# μP Compatible 14-Bit D/A Converter

MX7536

## Detailed Description D/A Section

The basic MX7536 DAC circuit consists of a laser-trimmed, thin-film 11-bit R-2R resistor array, a 3-bit segmented resistor array, and NMOS current switches as shown in Figure 2. The three MSBs are decoded to drive the switches A-G of the segmented array, and the remaining bits drive switches S0-S10 of the R-2R array.

Binarily weighted currents are switched to either AGNDF or I<sub>OUT</sub> depending on the status of each input bit. The R-2R ladder current is 1/8th of the total reference input current. The remaining 7/8th current flows into the segmented resistors dividing equally among these 7 resistors. The input resistance at V<sub>REF</sub> is constant, and therefore, it can be driven by a voltage or current source of positive or negative polarity.

The MX7536 is optimized for bipolar output operation and uses the offset binary input coding. The R1 and R2 resistors are added to allow inversion of any reference voltage applied to the V<sub>REF</sub> pin by using an external op amp. Furthermore, R<sub>OFS</sub>, which is matched to R<sub>FB</sub>, is added to offset the output by a constant -V<sub>REF</sub>, resulting in offset binary coding.

Two separate analog ground pins, AGNDS and AGNDF, are provided to eliminate any variations in the ground potential as seen internally by the DAC. AGNDF is used to sink all current, while AGNDS is used to sense the internal ground potential. An amplifier, A3, can be optionally used to force the internal DAC ground to the system's analog ground potential as shown in Figure 2. AGNDF and AGNDS connections may be changed to accommodate the required output drive and system accuracy.

The equivalent circuit for the DAC is shown in Figure 3. C<sub>OUT</sub> varies from typically 90pF to 180pF depend-

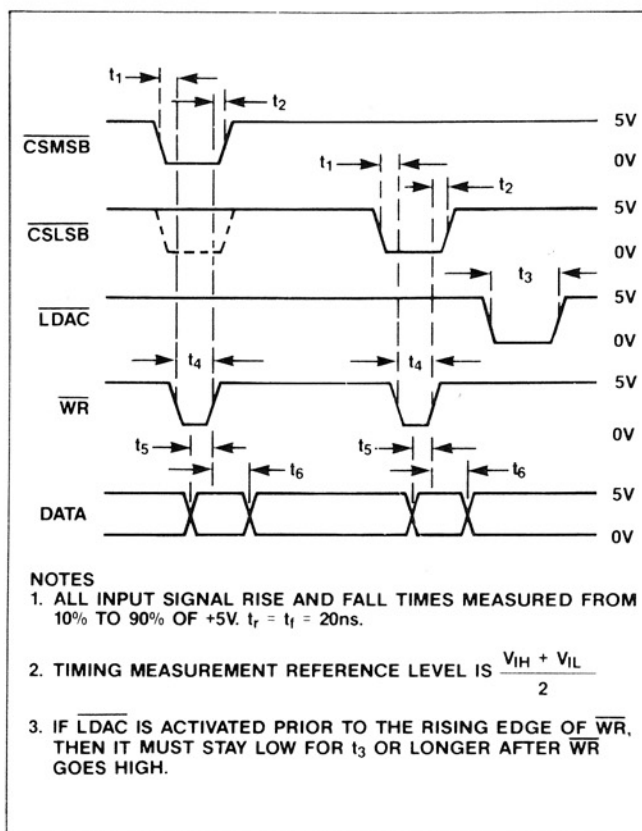


Figure 1. MX7536 Timing Diagram

ing on the digital code. R<sub>o</sub> denotes the equivalent output resistance of the DAC which varies with input code. g(V<sub>REF</sub>,N) is the Thevenin equivalent voltage generator due to the reference input voltage, V<sub>REF</sub>, and the digital input code of the DAC, N.

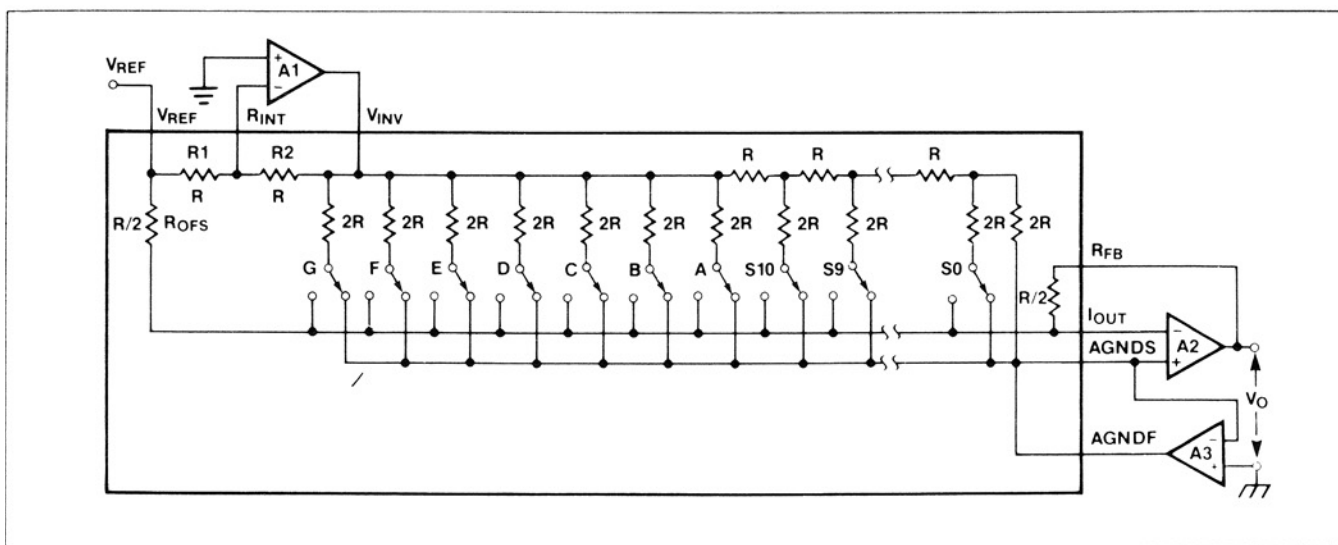


Figure 2. Simplified Circuit Diagram of the MX7536 D/A Section Showing Connection of External Op Amps

# µP Compatible 14-Bit D/A Converter

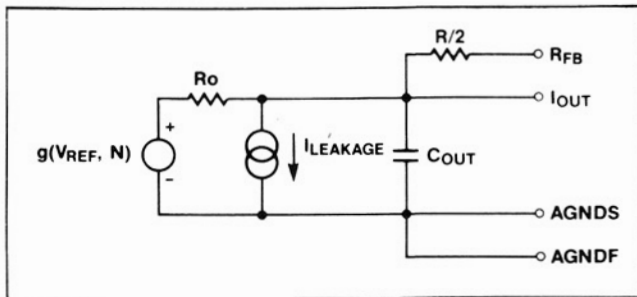


Figure 3. Equivalent Analog Output Circuit

### Digital Section

All digital inputs are both TTL and 5V CMOS logic compatible. All inputs are protected for electrostatic discharge and have typical input currents of less than 1nA. Supply current will be minimized when the digital input voltages are kept as close to 0V and 5V levels as possible.

### Application Information

#### Bipolar Operation for MX7536 (4-Quadrant Multiplication)

The MX7536 is a dedicated bipolar DAC. Specified accuracy is obtained without the use of expensive closely matched external resistors. As shown in Figure 4, R1 and R2 provide an optional gain adjustment, and capacitor C1 helps prevent overshoot and ringing when high speed op amps are used. In this circuit AGNDF and AGNDS are externally shorted to ground. Generally, another op amp is used to Kelvin the ground connection as shown in Figure 5.

Table 1 shows the Offset Binary Code obtained with the circuit of Figure 5. Note that by inverting the MSB of the DAC word, 2's Complement transfer function can be obtained.

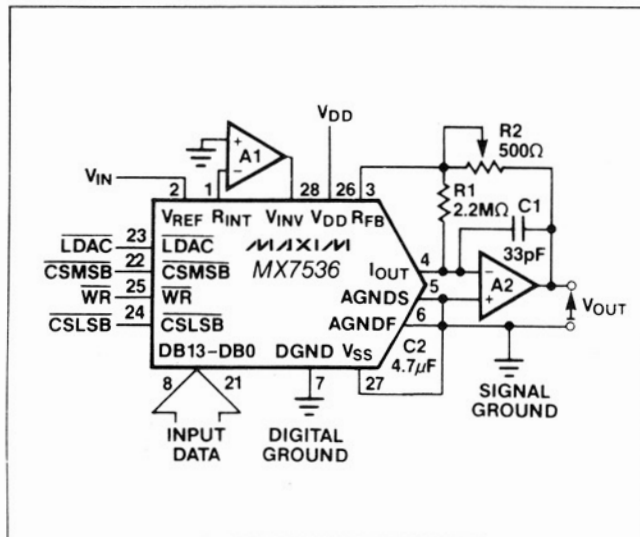


Figure 4. MX7536 Operation

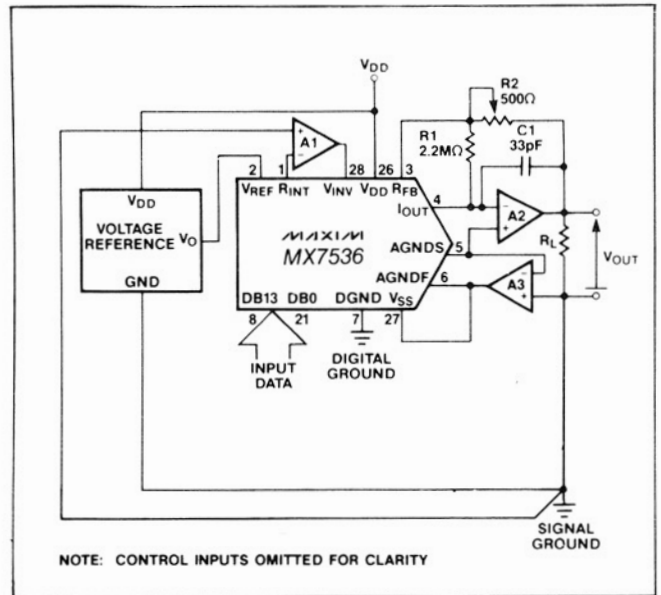


Figure 5. MX7536 Operation with Forced Ground

### Offset and Gain Adjustment of MX7536

#### Offset Adjustment

1. Adjust offset of amplifier A1 so that potential at  $R_{INT}$  is  $<10\mu V$  with respect to signal ground.
2. Load DAC register with all 0s.
3. Adjust offset of amplifier A2 until  $V_{OUT} = -V_{IN} \pm 10\mu V$ .

#### Gain Adjustment

1. Load DAC register with all 1s.
2. Trim potentiometer R2 so that  $V_{OUT} = +V_{IN}$  (8191/8192)

For wide temperature range applications, resistors and potentiometers should have low temperature coefficients. In many applications by virtue of the excellent temperature coefficients of the offset and gain errors of the MX7536, adjustments may not be needed.

### Grounding Considerations

Since  $I_{OUT}$  and the output amplifier's noninverting input are sensitive to offset voltages, nodes that need to be grounded should be connected directly to a "single point" ground through a separate, very low resistance path. Note that the output current at  $I_{OUT}$  and AGNDF vary with input code and create a code dependent error if these terminals are connected to ground (or a virtual ground) through a resistive path.

It is important to use a proper grounding technique to obtain high accuracy. The two AGND pins (AGNDF, AGNDS) provide flexibility in this respect. In Figure 4, AGNDS and AGNDF are shorted together externally and an extra op amp, A2, is not required. Voltage drops due to bond wire resistance are not compensated for in this circuit. This could create a linearity error (about 0.1LSB due to bond wire resistance

# μP Compatible 14-Bit D/A Converter

MX7536

alone) which can be eliminated by using the circuit of Figure 5. Here A2 maintains AGNDS at signal ground potential. By using Force/Sense techniques all switch contacts on the DAC are kept at exactly the same potential and any error due to bond wire resistance is eliminated.

Figure 6 is a suggested printed circuit board (PCB) layout for the MX7536.

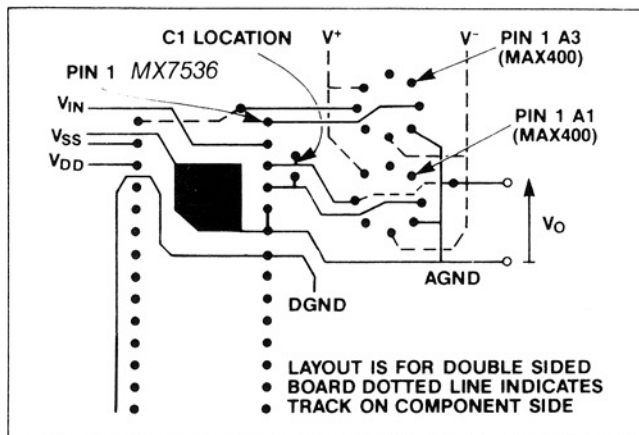


Figure 6. Suggested Layout for MX7536 Circuit of Figure 4

## Low Leakage Configuration

Leakage currents in the DAC flowing into the  $I_{OUT}$  line can cause gain, linearity and offset errors. Leakage is worse at high temperatures.

### Dynamic Considerations

In static or DC applications, the AC characteristics of the output amplifier are not critical. In higher speed applications, where either the reference input is an AC signal or the DAC output must settle quickly to a new programmed value, the AC parameters of the output op amp must be considered.

Another error source in dynamic applications is parasitic signal coupling from the  $V_{REF}$  terminal to  $I_{OUT}$ . This is normally a function of board layout and lead-to-lead package capacitance. Signals can also be injected into the DAC outputs when the digital inputs are switched. This digital feedthrough is mostly dependent on circuit board layout and on-chip capa-

citive coupling. Layout induced feedthrough can be minimized with guard traces between digital inputs,  $V_{REF}$ , and the DAC outputs.

### Compensation

A compensation capacitor, C1, may be needed when the DAC is used with a high speed output amplifier. The purpose of the capacitor is to cancel the pole formed by the DAC's output capacitance and internal feedback resistance. Its value depends on the type of op amp used. Typical values range from 10pF to 33pF. Too small a value causes output ringing while excess capacitance overdamps the output. The size of C1 can be minimized, and output settling performance improved, by keeping the PC board trace and stray capacitance at  $I_{OUT}$  as small as possible.

### Bypassing

A 1μF bypass capacitor, in parallel with a 0.01μF ceramic capacitor, should be connected as close to the DAC's  $V_{DD}$  and GND pins as possible. High frequency noise rejection is optimized if tantalum is used for the 1μF capacitor.  $V_{SS}$  decoupling capacitor of 4.7μF is also required if low leakage configuration is used.

The MX7536 has high-impedance digital inputs. To minimize noise pick-up, they should be connected to either  $V_{DD}$  or GND terminals when not used. It is also good practice to connect active inputs to  $V_{DD}$  or GND through high valued resistors (1MΩ) to prevent static charge accumulation if these pins are left floating, as might be the case when a circuit card is left unconnected.

### Op Amp Selection

Input offset voltage ( $V_{OS}$ ), input bias current ( $I_B$ ) and offset voltage drift (tempco of  $V_{OS}$ ) are three key parameters determining the choice of a suitable amplifier. To maintain specified accuracy with  $V_{REF}$  of 10V,  $V_{OS}$  should be less than 30μV, and  $I_B$  should be less than 2nA. Open loop gain should be greater than 100,000. Maxim's MAX400 has low  $V_{OS}$  (10μV max), low  $I_B$  (2nA) and low TC  $V_{OS}$  (0.03μV/°C max). This op amp can be used without requiring any adjustments. For medium frequency applications, the OP-27 and for even higher frequency applications the HA-2620 are recommended. However these op amps require external offset adjustment (Table 1).

Table 1. Amplifier Performance Comparisons

| OP AMP       | INPUT OFFSET VOLTAGE ( $V_{OS}$ ) | INPUT BIAS CURRENT ( $I_B$ ) | OFFSET VOLTAGE DRIFT (TC $V_{OS}$ ) | SETTLING TO 0.003% FS |
|--------------|-----------------------------------|------------------------------|-------------------------------------|-----------------------|
| MAX400M      | 10μV                              | 2nA                          | 0.03μV/°C                           | 50μs                  |
| Maxim OP-07A | 25μV                              | 2nA                          | 0.06μV/°C                           | 50μs                  |
| AD544L       | 500μV                             | 25pA                         | 5μV/°C                              | 5μs                   |
| HA2620       | 4mV                               | 35nA                         | 20μV/°C                             | 0.8μs                 |

# µP Compatible 14-Bit D/A Converter

## Microprocessor Interfacing 8086A

Interfacing is possible to both 8- and 16-bit processors. Figure 7 shows the 8086 16-bit processor interfacing to a single MX7536. In this setup the double buffering feature of the DAC is not used. AD0-AD13 of the 16-bit data bus are connected to the DAC data bus (DB0-DB13). The 14-bit word is written to the DAC in one MOV instruction and the analog output responds immediately. In this example the DAC address is D000 (HEX). A software routine for Figure 7 is given in Table 2.

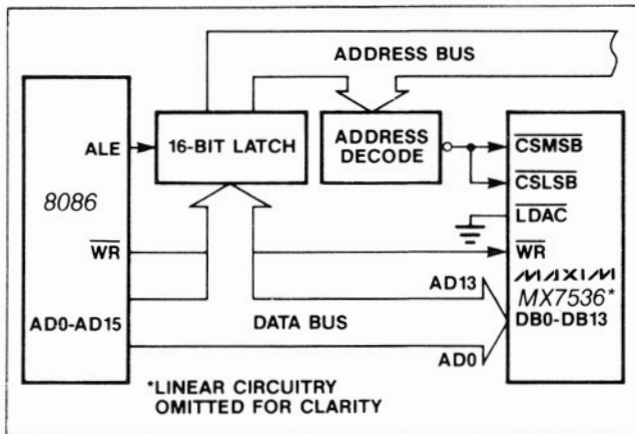


Figure 7. MX7536-8086 Interface Circuit

In a multiple DAC system the double buffering of the DAC allows the user to simultaneously update all DACs. In Figure 8, a 14-bit word is loaded to the Input Registers of each of the DACs in sequence. Then, with one instruction to the appropriate address, CS4 (i.e., LDAC) is brought low, updating all the DACs simultaneously.

## MC68000

Figure 9 shows an interface diagram. The following routine writes data to the DAC input registers and then outputs the data via the DAC register.

```

01000 MOVE.W #W,D0      : The desired DAC data, W, is
                        : loaded into Data Register 0.
      MOVE.W D0,$E000   : The Data W is transferred
                        : between D0 and DAC register.
      MOVE.B #228,D7    : Control returned to the
                        : System Monitor Program.
      TRAP #14
    
```

## Z80 Interface

The MX7536 is ideally suited to being used with 16-bit processors or in stand-alone applications. However, it can be used with an 8-bit processor as shown in the example circuit of Figure 10, an interface circuit for the Z80.

## Digital Feedthrough

In the interface diagrams shown in Figures 7 to 10, the digital inputs of the DAC are directly connected to the microprocessor bus. Even when the device is not selected, activity on the bus can feedthrough to the DAC output through package capacitance and shows up as noise. This can be minimized by isolating the DAC from the digital bus as shown in Figure 11.

Table 2. Sample Program for Loading MX7536

| ASSUME DS: DACLOAD, CS: DACLOAD<br>DACLOAD SEGMENT AT 000 |            |               |                                     |
|---|------------|---------------|-------------------------------------|
| 00  | 8CC9       | MOV CX,CS     | :DEFINE DATA SEGMENT REGISTER EQUAL |
| 02  | 8ED9       | MOVDS,CX      | :TO CODE SEGMENT REGISTER           |
| 04  | BF00D0     | MOVDI,#D000   | :LOAD DI WITH D000                  |
| 07  | C705"YZWX" | MOV MEM,#YZWX | :DAC LOADED WITH WXYZ               |
| 0B  | EA0000     |               | :CONTROL IS RETURNED TO THE         |
| 0E  | 00FF       |               | MONITOR PROGRAM                     |



# μP Compatible 14-Bit D/A Converter

**MX7536**

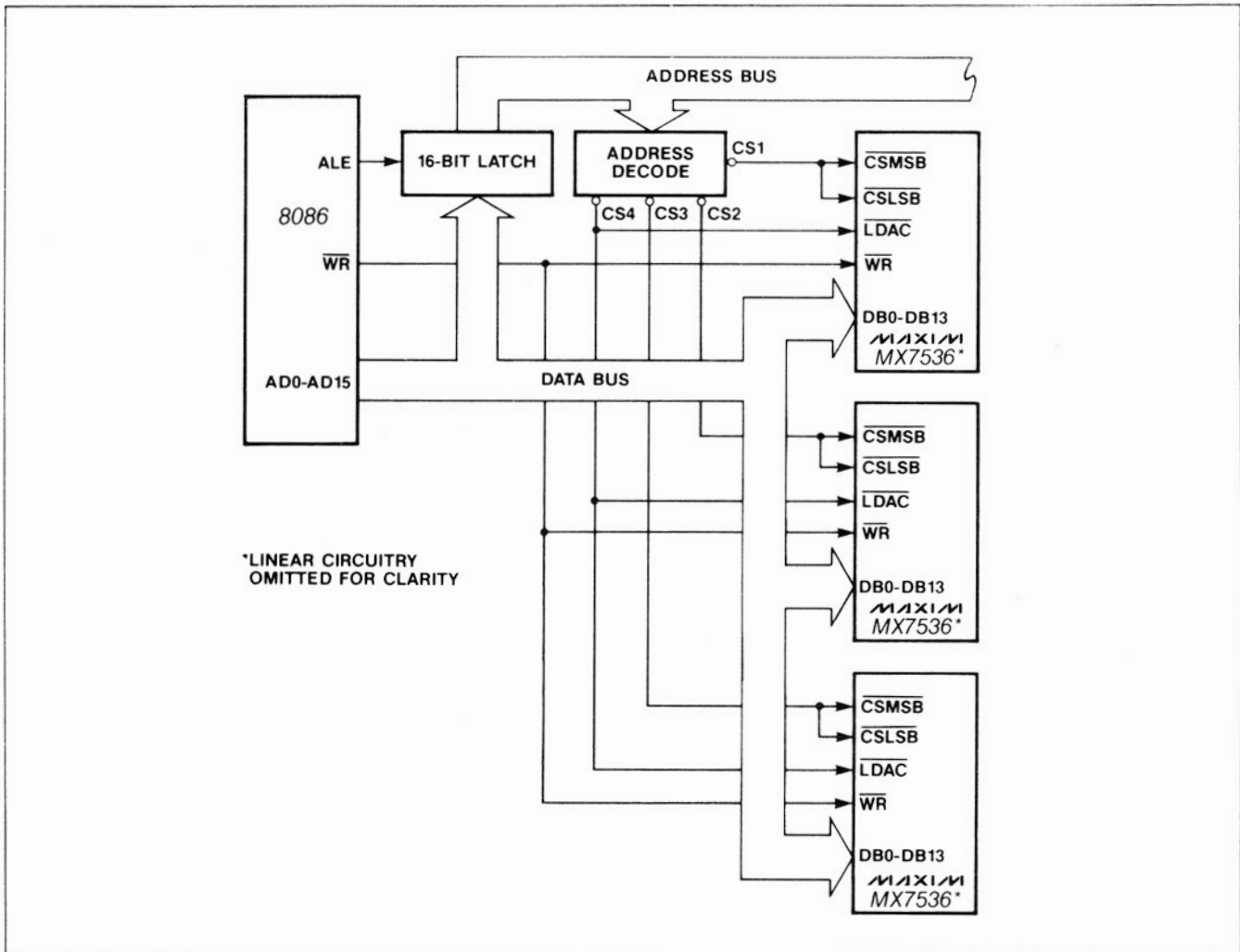


Figure 8. MX7536-8086 Interface: Multiple DAC System

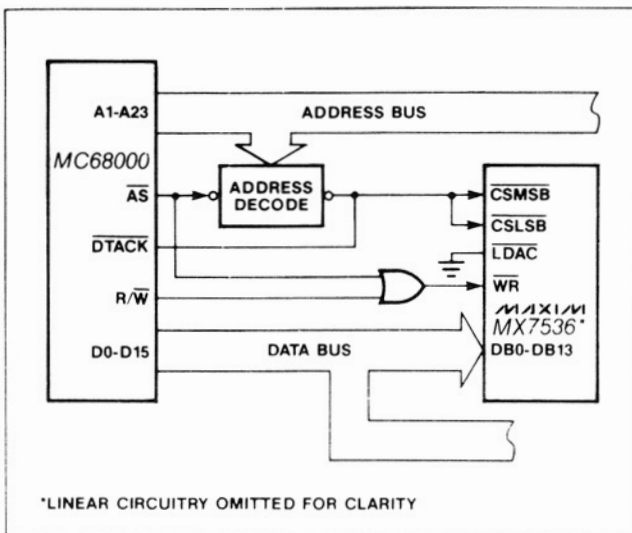


Figure 9. MX7536-MC68000 Interface

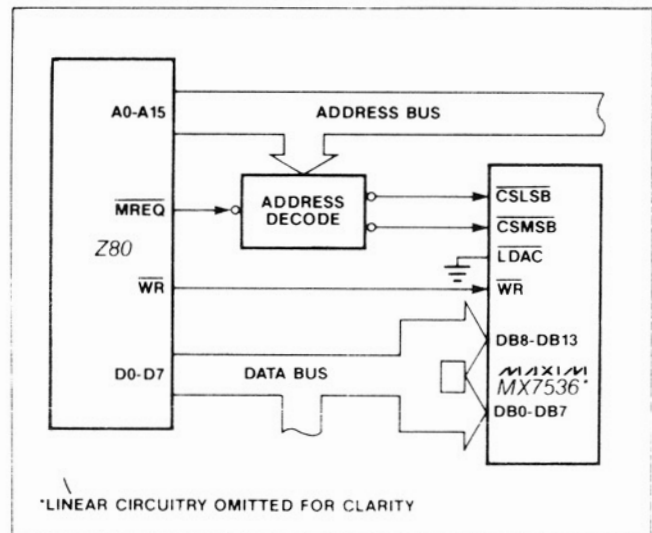


Figure 10. MX7536-Z80 Interface

# μP Compatible 14-Bit D/A Converter

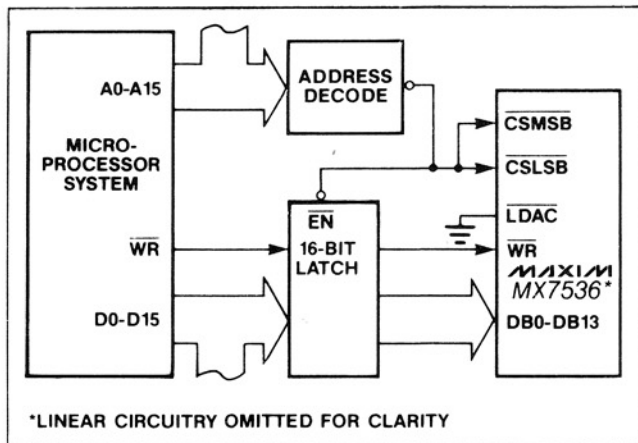


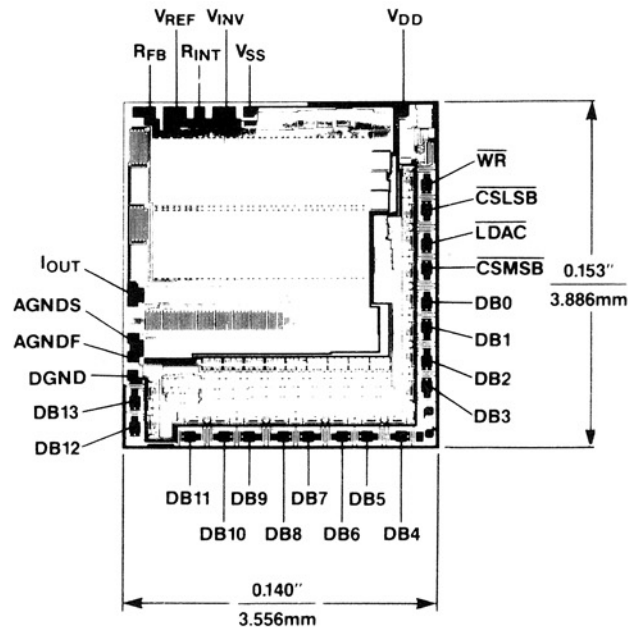
Figure 11. MX7536 Interface Circuit Using Latches to Minimize Digital Feedthrough

## Ordering Information (continued)

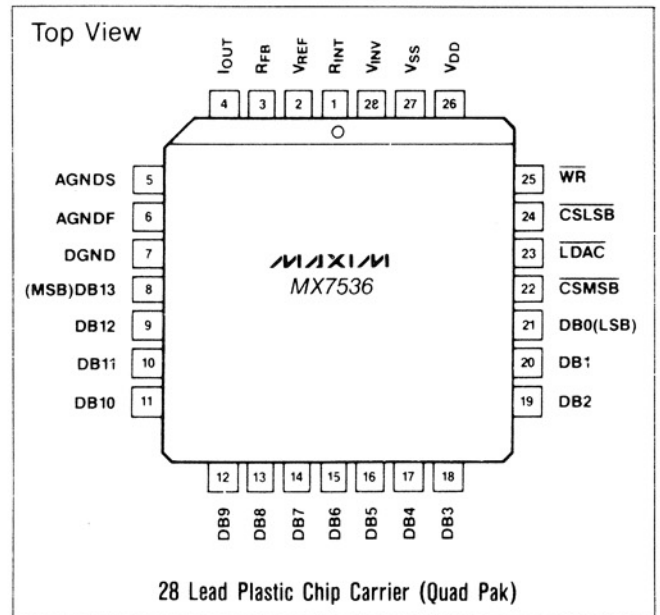
| PART     | TEMP. RANGE     | PACKAGE* | ACCURACY |
|----------|-----------------|----------|----------|
| MX7536SQ | -55°C to +125°C | CERDIP   | ±2 LSB   |
| MX7536TQ | -55°C to +125°C | CERDIP   | ±1 LSB   |
| MX7536SD | -55°C to +125°C | Ceramic  | ±2 LSB   |
| MX7536TD | -55°C to +125°C | Ceramic  | ±1 LSB   |

\*Maxim reserves the right to ship Ceramic in lieu of CERDIP packages.

## Chip Topography



## Pin Configuration (continued)

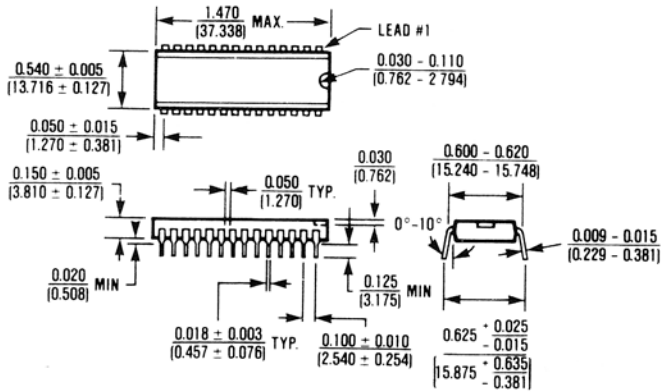


# $\mu$ P Compatible 14-Bit D/A Converter

## Package Information

(The package drawing(s) in this data sheet may not reflect the most current specifications. For the latest package outline information go to [www.maxim-ic.com/packages](http://www.maxim-ic.com/packages).)

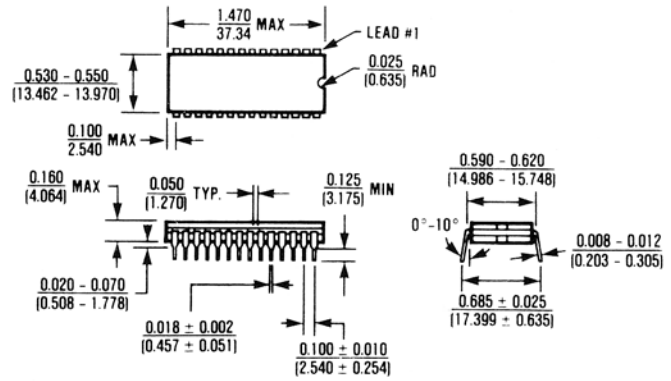
MX7536



**28 Lead Plastic DIP (PI)**

$$\theta_{JA} = 110^{\circ}\text{C/W}$$

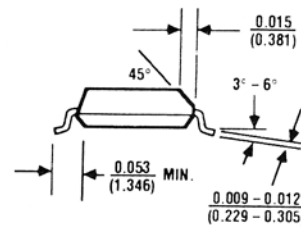
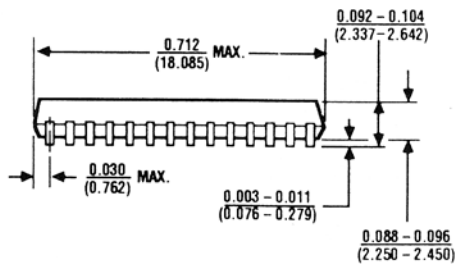
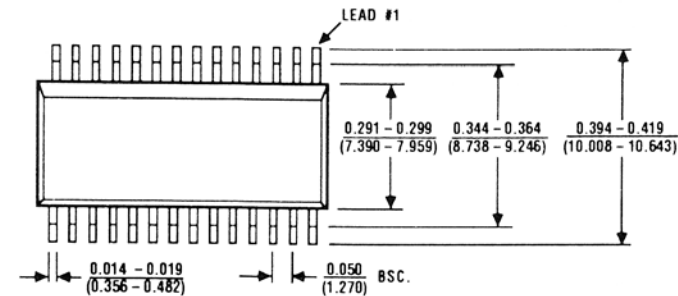
$$\theta_{JC} = 50^{\circ}\text{C/W}$$



**28 Lead Cerdip (JI)**

$$\theta_{JA} = 55^{\circ}\text{C/W}$$

$$\theta_{JC} = 20^{\circ}\text{C/W}$$



**28 Lead Small Outline, Wide (WI)**

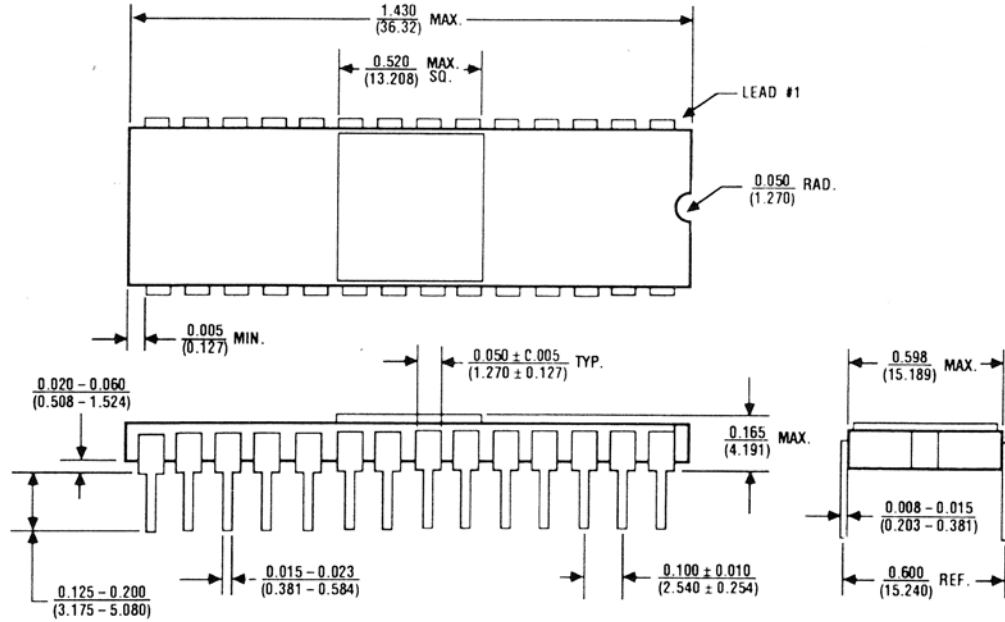
$$\theta_{JA} = 80^{\circ}\text{C/W}$$

$$\theta_{JC} = 45^{\circ}\text{C/W}$$

# μP Compatible 14-Bit D/A Converter

## Package Information (continued)

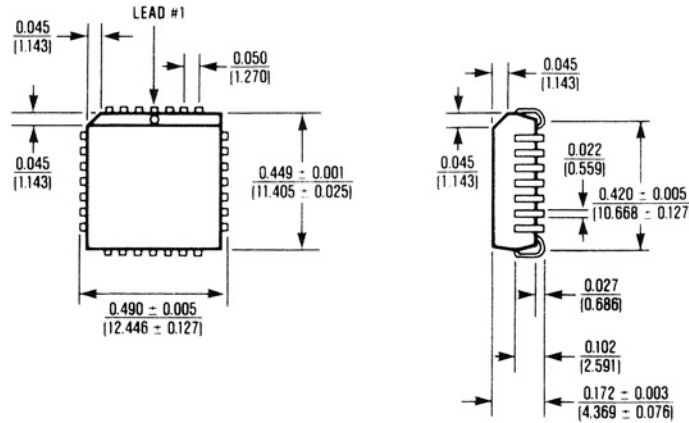
(The package drawing(s) in this data sheet may not reflect the most current specifications. For the latest package outline information go to [www.maxim-ic.com/packages](http://www.maxim-ic.com/packages).)



### 28 Lead Ceramic Sidebrazed (DI)

$$\theta_{JA} = 50^{\circ}\text{C/W}$$

$$\theta_{JC} = 15^{\circ}\text{C/W}$$



### 28 Lead Plastic Chip Carrier (Quad Pak) (QI)

$$\theta_{JA} = 100^{\circ}\text{C/W}$$

$$\theta_{JC} = 45^{\circ}\text{C/W}$$

Maxim cannot assume responsibility for use of any circuitry other than circuitry entirely embodied in a Maxim product. No circuit patent licenses are implied. Maxim reserves the right to change the circuitry and specifications without notice at any time.

Maxim Integrated Products, 120 San Gabriel Drive, Sunnyvale, CA 94086 (408) 737-7600