

F

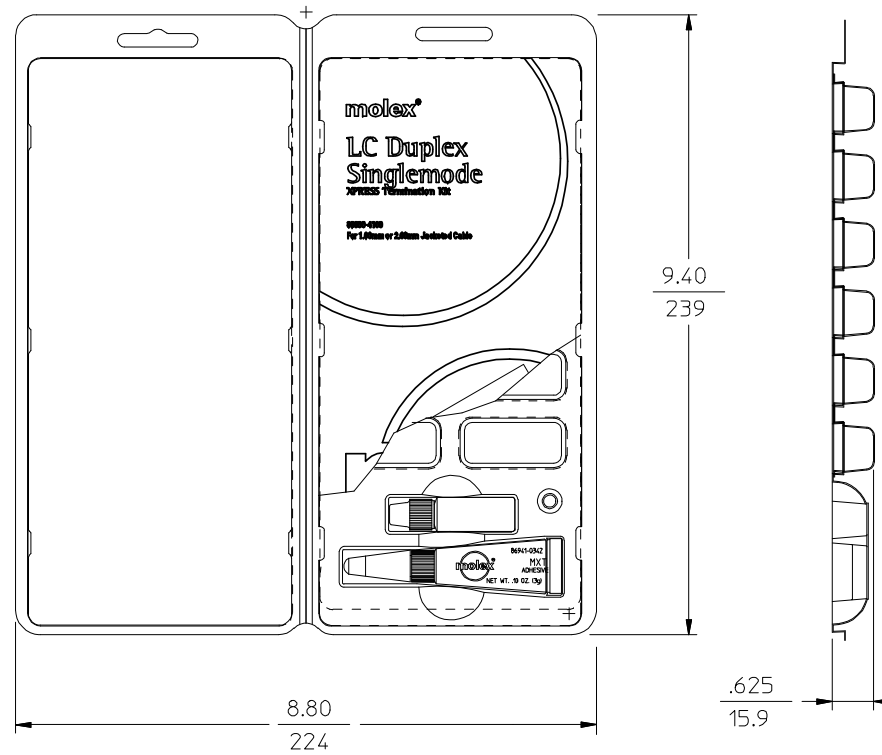
E

D

C

B

A



NOTES:

1. THE EACH PAIR OF TWO SMALL COMPARTMENTS CONTAINS COMPONENTS FOR ONE COMPLETE LCD MXT CONNECTOR.
2. THE LARGE COMPARTMENTS CONTAINS ONE TUBE OF "MXT ADHESIVE" AND ACCELERANT BOTTLE.

ENTER DESCRIPTION ELC NO: MF2008-0513 DRAWN: KPEVZNER CHKD: 2008/05/20 APPR: IGUMIN 2008/05/20	REV DESCRIPTION A1	QUALITY SYMBOLS ▽=0 ▽=0	GENERAL TOLERANCES (UNLESS SPECIFIED)		DIMENSION STYLE IN/MM		SCALE 1:2	DESIGN UNITS INCH	THIRD ANGLE PROJECTION	
			4 PLACES	±---	±---	DRAWN BY	DATE	TITLE XPRESS TERMINATION PACKAGE, LCD SM JACKETED CABLE VERSION		
			3 PLACES	±---	±---	PGIBLIN	2005/10/18			
			2 PLACES	±---	±---	CHECKED BY	DATE	MOLEX MOLEX INCORPORATED		
1 PLACE	±---	±---	APPROVED BY DATE		MATERIAL NO. 1060004100		DOCUMENT NO. SD-106000-4100	SHEET NO. 1 OF 01		
ANGULAR ±1/2°			DRAFT WHERE APPLICABLE MUST REMAIN WITHIN DIMENSIONS		SIZE B		THIS DRAWING CONTAINS INFORMATION THAT IS PROPRIETARY TO MOLEX INCORPORATED AND SHOULD NOT BE USED WITHOUT WRITTEN PERMISSION			