

CTLFPP10GF Series

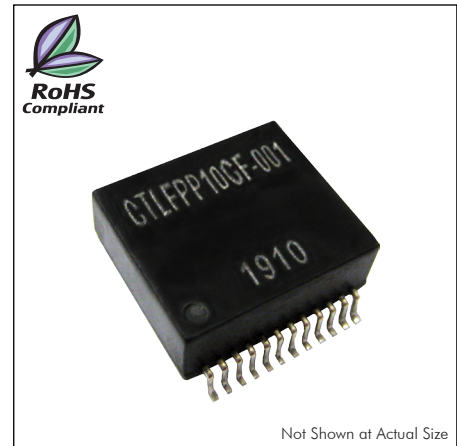
CHARACTERISTICS

Description: 10G Base-T, PoE & PoE+, SMD

Operating Temperature: 0°C to 70°C

Features:

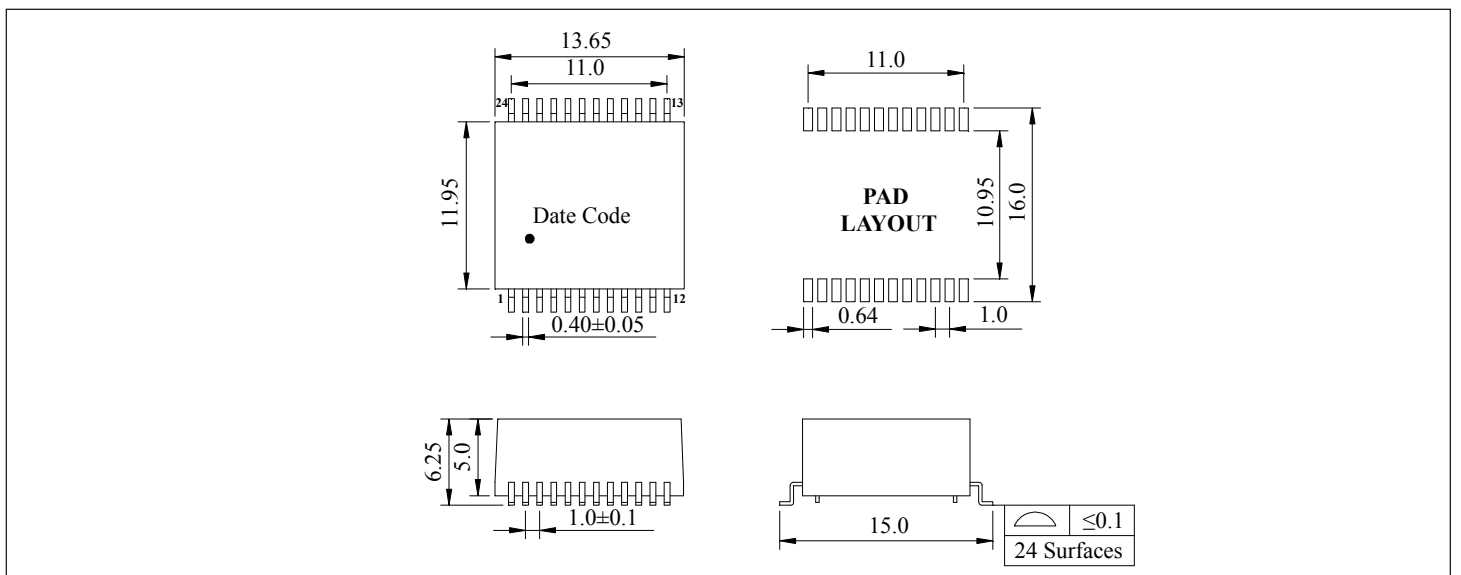
- Designed for long haul Gigabit Ethernet 10G Base-T, full duplex applications
- IEEE 802.3af&at/ANSI X3.263 compliant performance
- Suitable for End-span and Mid-span PoE applications
- 350&600mA current capability
- Designed for IP phone or switch applications
- Compact footprint
- Designed to withstand IR reflow temperatures up to 235°C



SPECIFICATIONS

| Part Number | Insertion Loss (dB Typ.) | | Return Loss (dB Min. @100Ω) | | Common to Differential Mode Rejection (dB Typ.) | | Crosstalk (dB Typ.) | | Hipot (Vrms Min.) |
|----------------|--------------------------|----------|-----------------------------|--|---|-------------|---------------------|-------------|-------------------|
| | 1-500 MHz | 1-40 MHz | 40-500 MHz | | 1-250 MHz | 250-500 MHz | 1-100 MHz | 100-500 MHz | |
| CTLFPP10GF-001 | -1.2 | -23 | -13+30log(f/400MHz) | | -30 | -25 | -40 | -30 | 1500 |
| CTLFPP10GF-002 | -2.0 | -18 | -17+10log(f/40MHz) | | -30 | -20 | -40 | -30 | 1500 |
| CTLFPP10GF-003 | -1.2 | -18 | -17+10log(f/40MHz) | | -30 | -22 | -40 | -30 | 1500 |

PHYSICAL DIMENSIONS & PAD LAYOUT

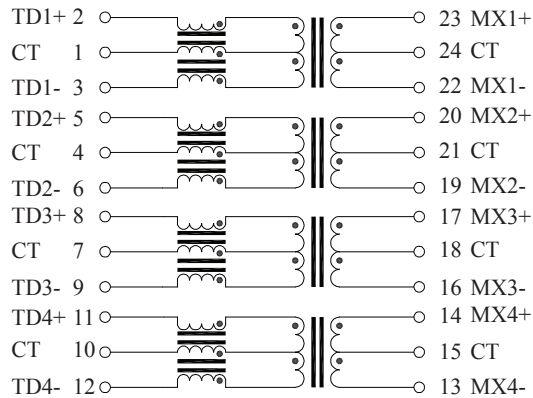


Unit: mm Tolerances: Unless otherwise specified, all tolerances are ±0.25

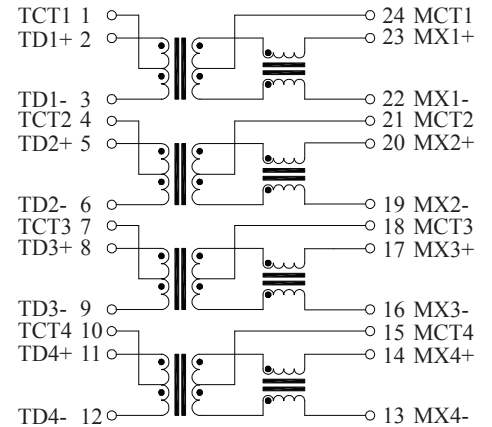
CTLFPP10GF

SCHEMATICS

CTLFPP10GF-001



CTLFPP10GF-002



CTLFPP10GF-003

