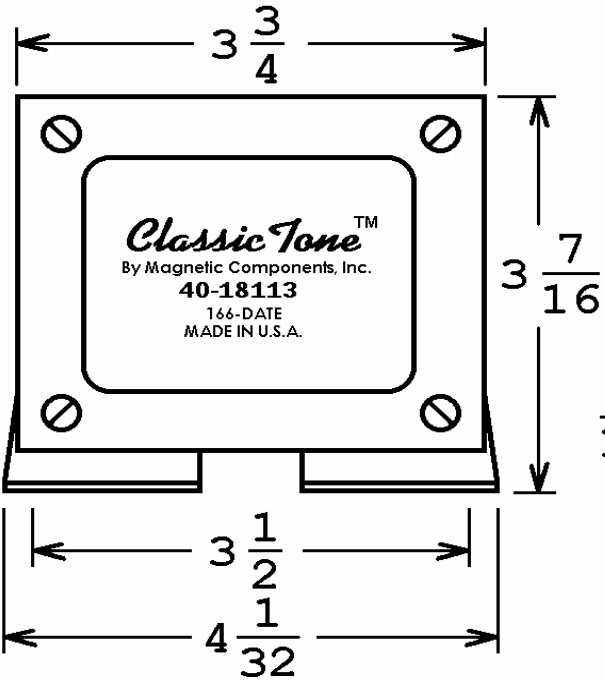


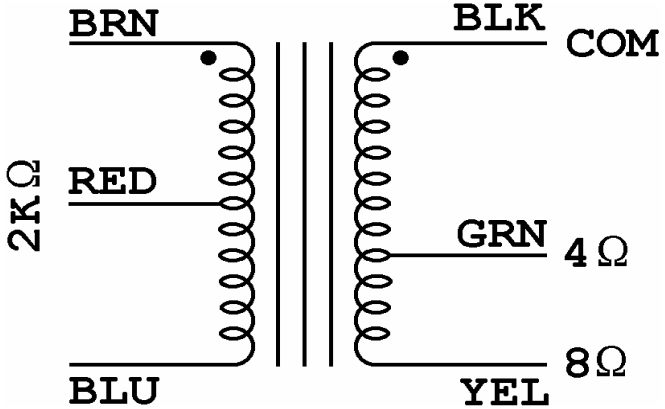
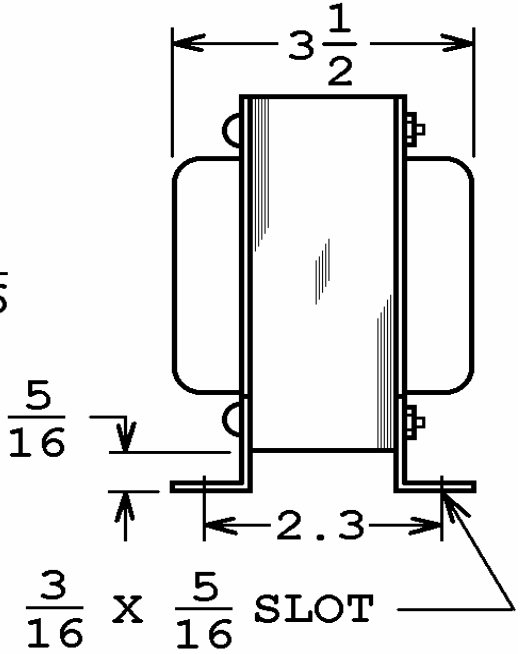
40-18113

This drawing is the property of Magnetic Components, Inc. and shall not be reproduced, in whole or in part, without the written permission of Magnetic Components, Inc.

REVISIONS			
LTR	DESCRIPTION	DATE	APPROVED



Classic Tone™
 By Magnetic Components, Inc.
40-18113
 166-DATE
 MADE IN U.S.A.



UNLESS OTHERWISE SPECIFIED ALL DIMENSIONS IN INCHES DO NOT SCALE DRAWING FRACTIONS +/- .X = +/- .XX = +/- .XXX = +/- ANGLES = +/-	SIGNATURES		DATE	MAGNETIC COMPONENTS, INC.		DIV : LOC : SCHILLER PK	
	DRAWN : <i>MJF</i>		08 JUL 2016	TITLE 100W OUTPUT			
	CHECK :						
	APPR : <i>M. Schiller</i>		08 JUL 2016	CAGE 50508	SIZE A	PART No. 40-18113	REV -
			SCALE NONE	SHEET :			