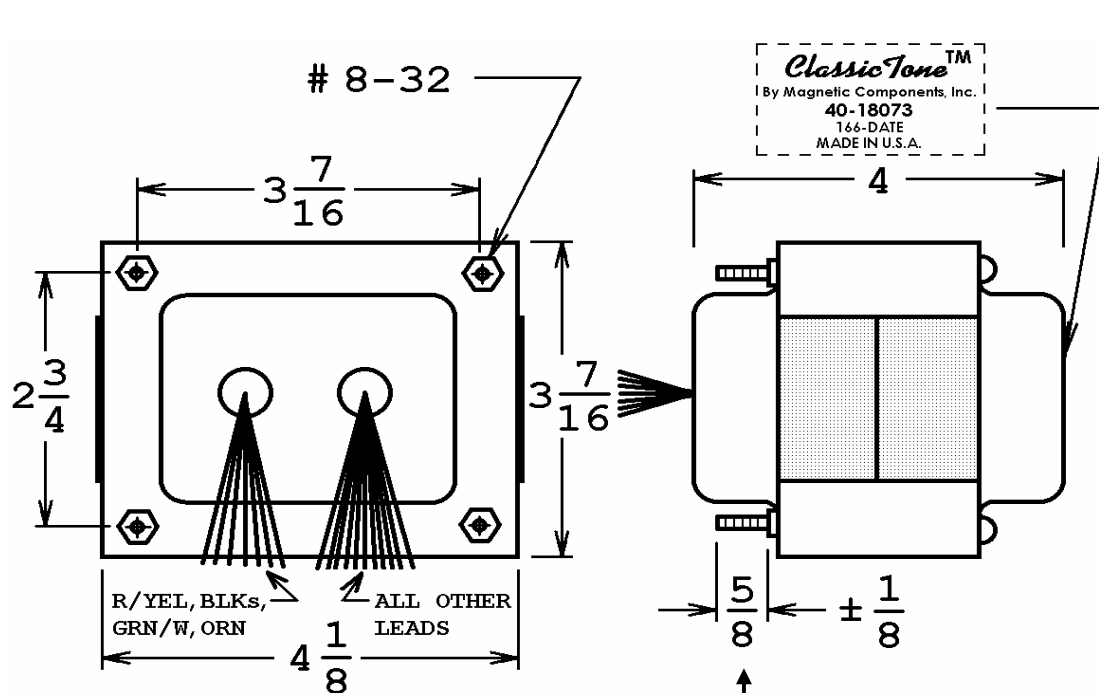


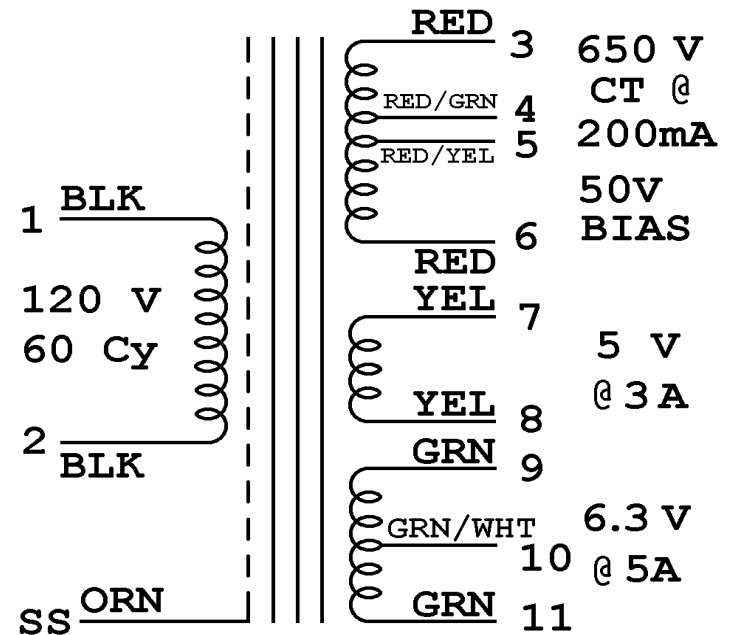
40-18073

This drawing is the property of Magnetic Components, Inc. and shall not be reproduced, in whole or in part, without the written permission of Magnetic Components, Inc.

REVISIONS			
LTR	DESCRIPTION	DATE	APPROVED
A	ADD "CT" TO RED/YEL. ADD STATIC SHIELD NOTE.	08/19/11	M. Sacketti
B	ADD "5" TO YEL-YEL WINDING	08/25/11	M. Sacketti
C	ADD #8-32	09/13/11	M. Sacketti
D	REV SCHEMATIC. ADD TOL.	09/16/11	M. Sacketti
E	ADD MOUNTING HARDWARE NOTE	10/28/11	M. Sacketti
F	ADD B+ VOLTAGES CHART	04/05/16	M. Sacketti



ClassicTone™
By Magnetic Components, Inc.
40-18073
166-DATE
MADE IN U.S.A.



RED-RED/YEL-RED = 325V-0-325V +/-5% (650V CT)
RED/YEL-RED/GRN = 50V BIAS
ORN = STATIC SHIELD - GROUND TO CHASSIS

USE FOUR # 8-32 HEX NUTS (NOT SUPPLIED) FOR CHASSIS MOUNTING. PLEASE DO NOT REMOVE EXISTING HEX NUTS.

B+ VOLTAGES (WITH 40μF CAPACITOR)

TUBE	5U4GB	GZ34	5Y3GT
100mA	396V	423V	412V
150mA	374V	407V	---
200mA	356V	392V	---

SIGNATURES		DATE	MAGNETIC COMPONENTS, INC.		DIV :
DRAWN :	<i>M. Sacketti</i>	13 MAY 11	TITLE		LOC : SCHILLER PK
CHECK :			POWER TRANSFORMER		
APPR :	<i>M. Sacketti</i>	13 MAY 11	CAGE	50508	SIZE
			SCALE	NONE	PART No.
					40-18073
					REV
					F
					SHEET :