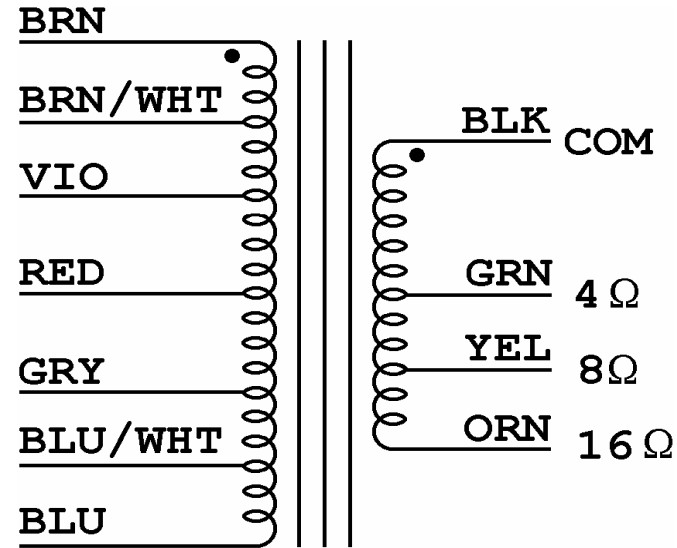
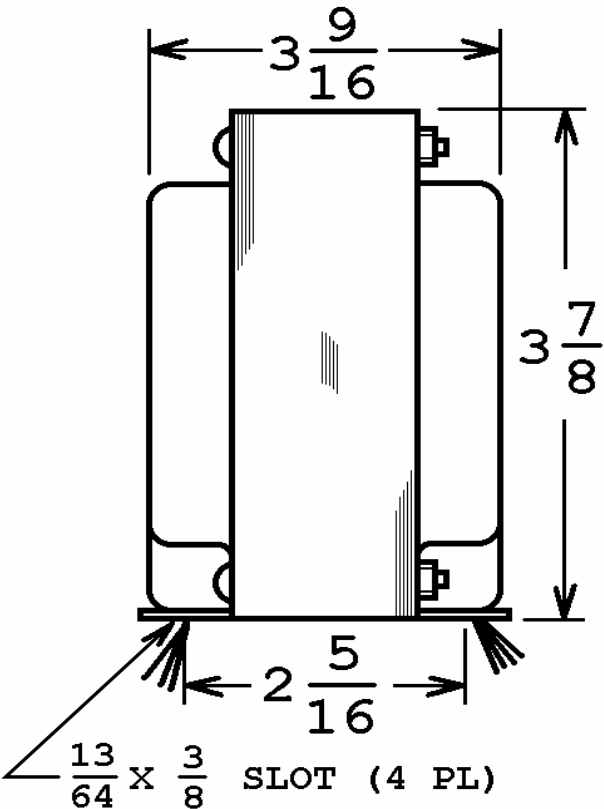
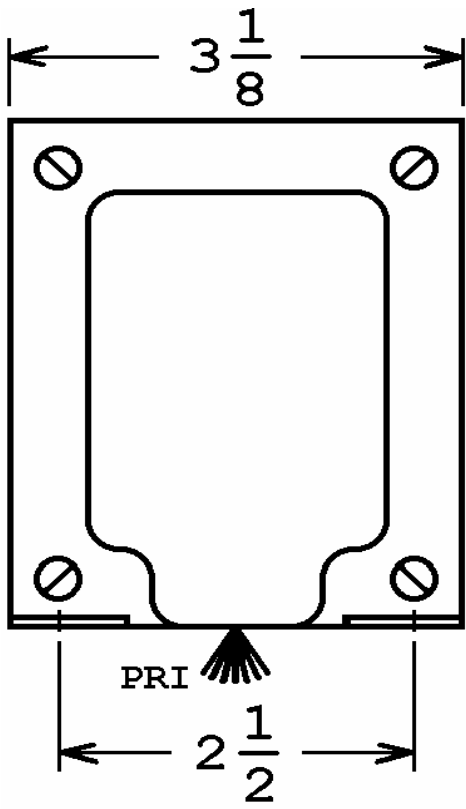


This drawing is the property of Magnetic Components, Inc. and shall not be reproduced, in whole or in part, without the written permission of Magnetic Components, Inc.

REVISIONS			
LTR	DESCRIPTION	DATE	APPROVED



BRN/WHT-RED-BLU/WHT = 4.3KΩ TAPS
 BRN-RED-BLU = 6.6KΩ TAPS
 VIO & GRY = ULTRA-LINEAR TAPS

ULTRA-LINEAR TAPS ARE 43% OF 4.3KΩ TAPS AND 35% OF 6.6KΩ

UNLESS OTHERWISE SPECIFIED ALL DIMENSIONS IN INCHES DO NOT SCALE DRAWING FRACTIONS +/- .X = +/- .XX = +/- .XXX = +/- ANGLES = +/-	SIGNATURES		DATE	MAGNETIC COMPONENTS, INC.		DIV : LOC : SCHILLER PK	
	DRAWN : <i>[Signature]</i>		14 MAR 2014	TITLE 35W ULTRA-LINEAR OUTPUT TRANSFORMER			
	CHECK :			CAGE 50508	SIZE PART No.	REV	
	APPR : <i>[Signature]</i>		14 MAR 2014	SCALE NONE	A 40-18080	-	
				SHEET :			