

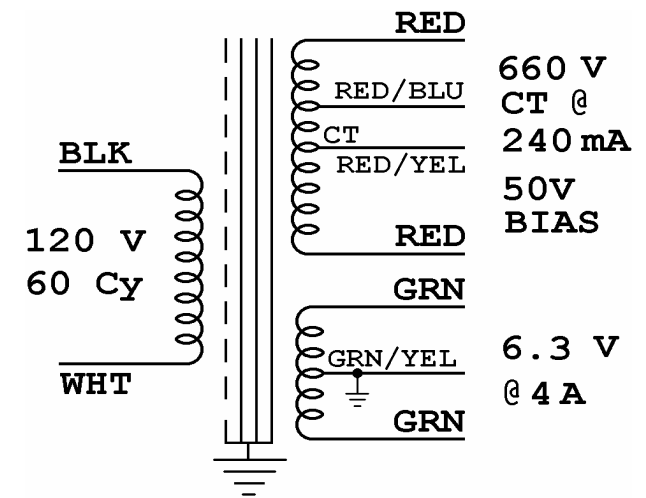
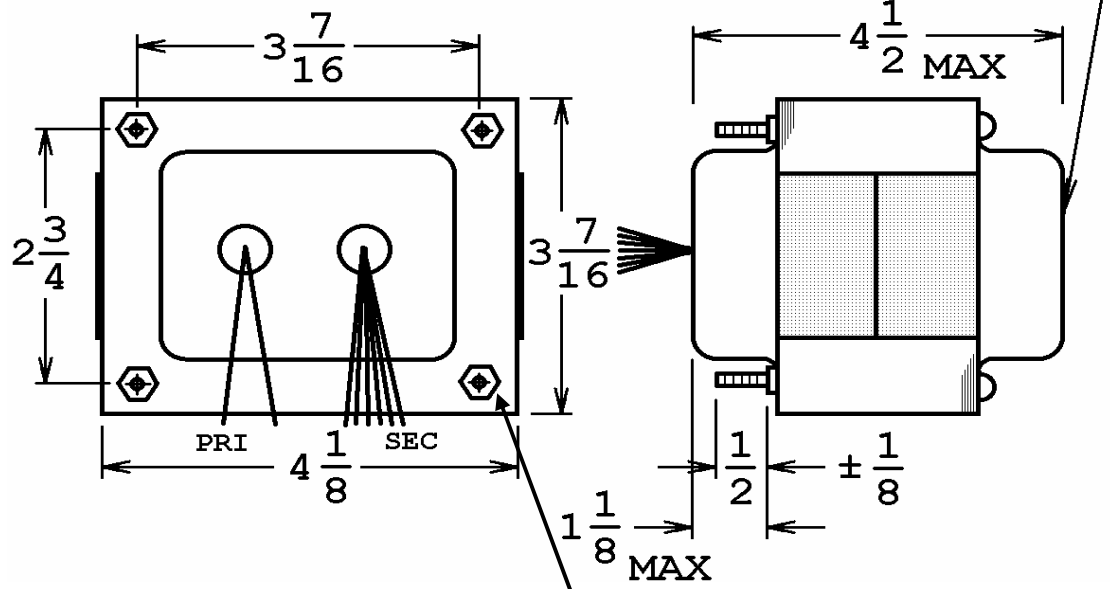
40-18005

This drawing is the property of Magnetic Components, Inc. and shall not be reproduced, in whole or in part, without the written permission of Magnetic Components, Inc.

| REVISIONS | | | |
|-----------|---|----------|-------------|
| LTR | DESCRIPTION | DATE | APPROVED |
| B | ADD RED-RED/YEL-RED ACV, RED/BLU-RED/YEL BIAS | 04/05/11 | M. Sacketti |
| C | ADD MOUNTING HARDWARE NOTE | 10/27/11 | M. Sacketti |
| D | 660VCT WAS 420VDC FWCT. 6.3V WAS 3.15A | 12/13/12 | M. Sacketti |
| E | ADD CT TO 6.3V WINDING | 12/27/12 | M. Sacketti |
| F | ADD FLV CHART | 07/05/16 | M. Sacketti |

MEASURED B+ VOLTAGES WITH 40µF CAPACITOR

| 100mA | 150mA | 200mA | 240mA |
|-------|-------|-------|-------|
| 460V | 451V | 444V | 439V |



RED-RED/YEL-RED = 330V-0-330V AC
 RED/BLU-RED/YEL = 50V BIAS

NOTE : GRN/YEL LEAD IS INTERNALLY GROUNDED

USE FOUR # 8-32 HEX NUTS (NOT SUPPLIED) FOR CHASSIS MOUNTING. PLEASE DO NOT REMOVE EXISTING HEX NUTS.

FENDER P/N :
 022814
 125P7D

| | | | | | | | | | | |
|---|--|----------------------------|--|-------------|--|---------------------------|-------|-------------------|----------|-----|
| UNLESS OTHERWISE SPECIFIED | | SIGNATURES | | DATE | | MAGNETIC COMPONENTS, INC. | | DIV : | | |
| ALL DIMENSIONS IN INCHES DO NOT SCALE DRAWING | | DRAWN : <i>M. Sacketti</i> | | 03 AUG 2009 | | TITLE | | LOC : SCHILLER PK | | |
| FRACTIONS +/- | | CHECK : | | | | POWER TRANSFORMER | | | | |
| .X = +/- | | APPR : <i>M. Sacketti</i> | | 03 AUG 2009 | | CAGE | 50508 | SIZE | PART No. | REV |
| .XX = +/- | | | | | | SCALE | NONE | A | 40-18005 | F |
| .XXX = +/- | | | | | | | | | | |
| ANGLES = +/- | | | | | | | | | | |