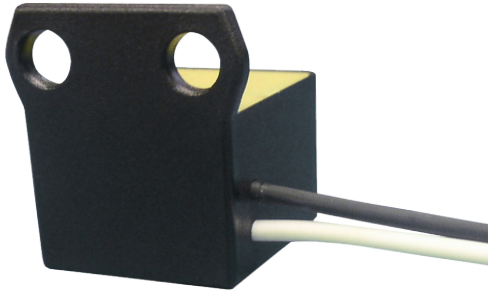
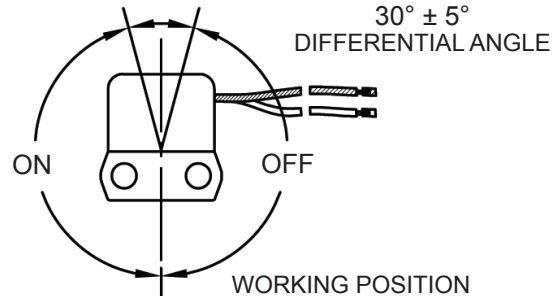


Part Number: PD5009
Wide Angle Power Tilt Switch
Product Data Sheet

PICTURE



OPERATION

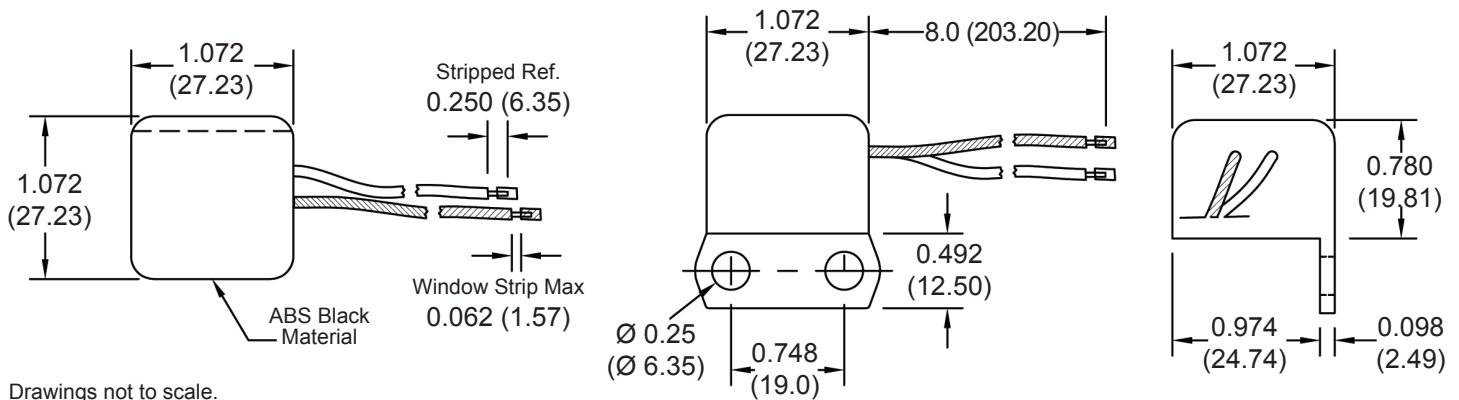


FEATURES

- Two Wire Smart Sensor
- Reconfigurable at Factory
- Circuitry Epoxy Encapsulated
- Reverse Polarity and Transient Protected

✓ **RoHS Compliant**

DIMENSIONS



Drawings not to scale.
 All dimensions in inches (mm) nominal.

SPECIFICATION

Operating Voltage MAX	18 VDC
Operating Voltage MIN	10 VDC
Current MAX	10 Amps
Current MIN	0.2 Amps
MAX Power	50 Watts
MAX Inrush	50 Amps
Operating Temperature	-40° +125°C
Storage Temperature	-40° +125°C
Load	Resistive, Inductive, Capacitive, Tungsten

As part of the company policy of continued product improvement, specifications may change without notice. Our sales office will be pleased to help you with the latest information on this product range and the details of our full design and manufacturing service. All products are supplied to our standard conditions of sale unless otherwise agreed in writing.

Phone: (1) 973 777 6900 **www.comus-intl.com** **Fax: (1) 973 777 8405**

Belgium: + 32 (0)12 390400 - Comus Europe Ltd (Assemblech) UK: +44 (0) 1255 862236 - Germany: +49 (0)911 923 15 943 - Netherlands: +31(0)45 54 39 345 - India: +(91) (44) 43219090
 ©2014 Copyright Comus International, 454 Allwood Road, Clifton NJ 07012, USA