

1

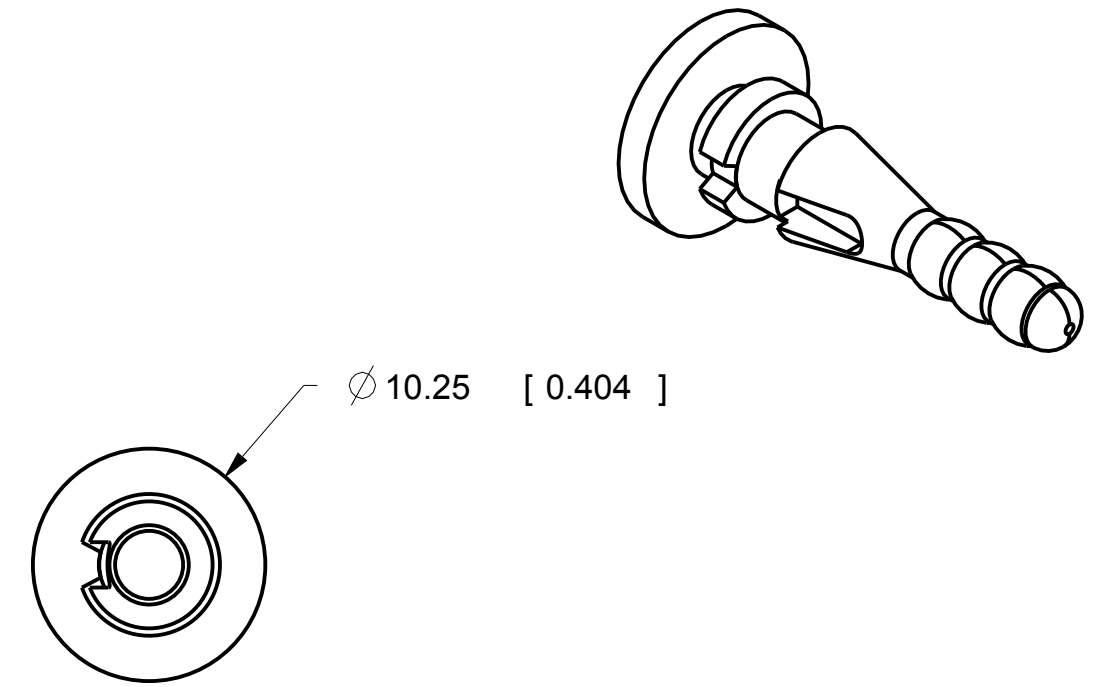
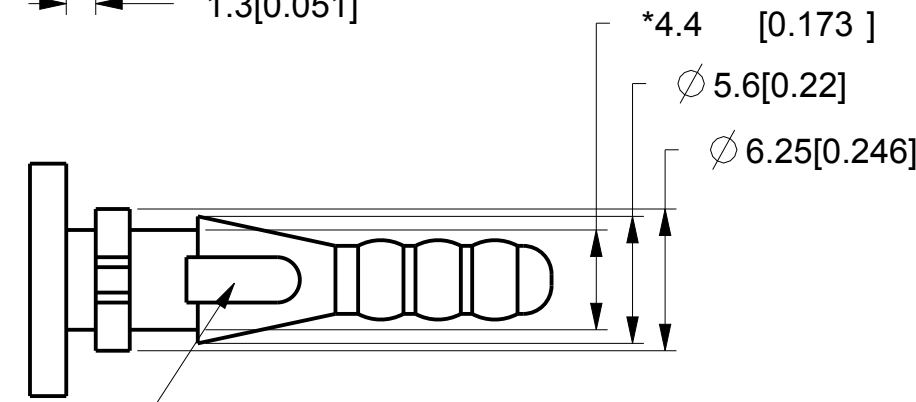
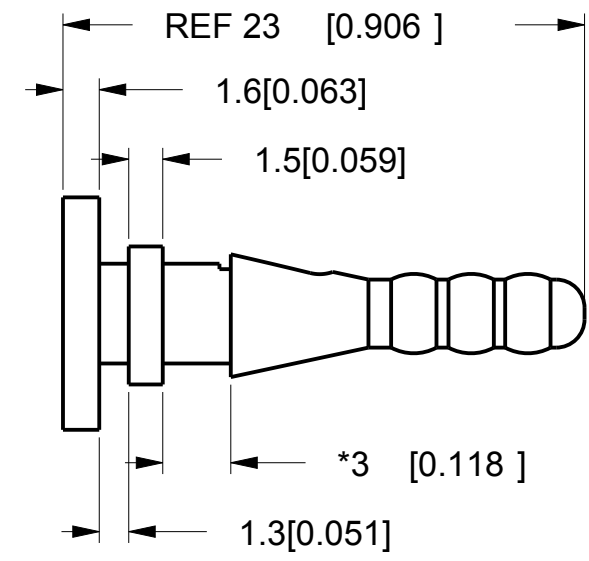
2

3

4

GROMMET MATERIAL	SEE PAGE
VERSADAMP	1
ISODAMP	1
ISOLOSS	2

REVISIONS				
DRAWN	REV	DESCRIPTION	DATE	APPROVED
BCC	00	ORIGINAL	12/4/03	JS
TC	01	UPDATED FORMAT AND CONSOLIDATED MATERIALS	6-24-10	JS
KP/TC	02	UPDATED FORMAT, NOTES, TOLERANCES, ADDED WEIGHT, CAVITY LOCATION, MISSING DIMS AND -X TO NAMING CONVENTION.	9-8-11	MS



CAVITY #

F-344-C8012	C-8012
F-344-C8002	C-8002
F-344-C8001	C-8001
F-344-V2790	V-2790
F-344-V2775	V-2775
F-344-V2750	V-2750
F-344-V2590	V-2590
F-344-V2575	V-2575
F-344-V2550	V-2550
F-344-V2525	V-2525
F-344-V2375	V-2375
F-344-V2350	V-2350
F-344-V2325	V-2325
F-344-3	C-1100
F-344-2	C-1105
F-344-1	C-1002
PART NUMBER	MATERIAL

- 5. FOR ISOLOSS MATERIAL, USE THE TOLERANCE TABLE ON PAGE 2.
- 4. FOR VERSADAMP AND ISODAMP MATERIAL, USE THE TOLERANCE TABLE ON PAGE 1.
- 3. MAX DRAFT: 2°
- 2. CRITICAL DIMENSIONS SHALL HAVE Cpk VALUE >= 1.33 WITH ONGOING SPC DATA REQUIRED.
- 1. CRITICAL DIMENSIONS ARE MARKED WITH "**".

NOTES:

DIM RANGE	VERSADAMP & ISODAMP TOL	UNLESS OTHERWISE SPECIFIED UNITS ARE: MM [IN] TOLERANCE FOR ANGLES: ±0.0°	MATERIAL: SEE TABLE ON LEFT	E-A-R SPECIALTY COMPOSITES		
		ALLOWABLE FLASH: .12 MM [.005]	QUALITY CONTROL: MUST COMPLY WITH E-A-R SPECIALTY COMPOSITES SUPPLIER QUALITY MANUAL REQUIREMENTS	TITLE FAN MOUNT		
		GATE: ±.15MM [.006]	NOTES: ANY FEATURE NOT DIMENSIONED IN PRINT MUST BE VISIBLY PRESENT, UTILIZE 3D CAD FOR CREATION	SIZE B	DRAWING NO. F-344-X	PAGE NO. 1 OF 2
		CALC WEIGHT: 0.51 GRAM REF				

1

2

3

4

1

2

3

4

REVISIONS

D

D

C

C

B

B

A

A

		DIM RANGE		ISOLOSS TOL		UNLESS OTHERWISE SPECIFIED UNITS ARE: MM [IN] TOLERANCE FOR ANGLES: ±0.0°		MATERIAL: SEE TABLE ON LEFT		E-A-R SPECIALTY COMPOSITES				
F-344-SL60300		SL-60300		0<DIM<=10[.394]		± 0.15[.006]		ALLOWABLE FLASH: .3 MM [.012]		QUALITY CONTROL: MUST COMPLY WITH E-A-R SPECIALTY COMPOSITES SUPPLIER QUALITY MANUAL REQUIREMENTS		TITLE		
F-344-SL50300		SL-50300		10[.394]<DIM<=20[.787]		± 0.2 [.008]						FAN MOUNT		
F-344-SL35300		SL-35300		20[.787]<DIM<=50[1.969]		± 0.25 [.010]		GATE:		NOTES:		SIZE	DRAWING NO.	PAGE NO.
F-344-SL20300		SL-20300		50[1.969]<DIM<=80[3.150]		± 0.35 [.014]		CALC WEIGHT: 0.51 GRAM REF		ANY FEATURE NOT DIMENSIONED IN PRINT MUST BE VISIBLY PRESENT, UTILIZE 3D CAD FOR CREATION		B	F-344-X	2 OF 2
PART NUMBER		MATERIAL		80[3.150]<DIM		±.5%								

1

2

3

4