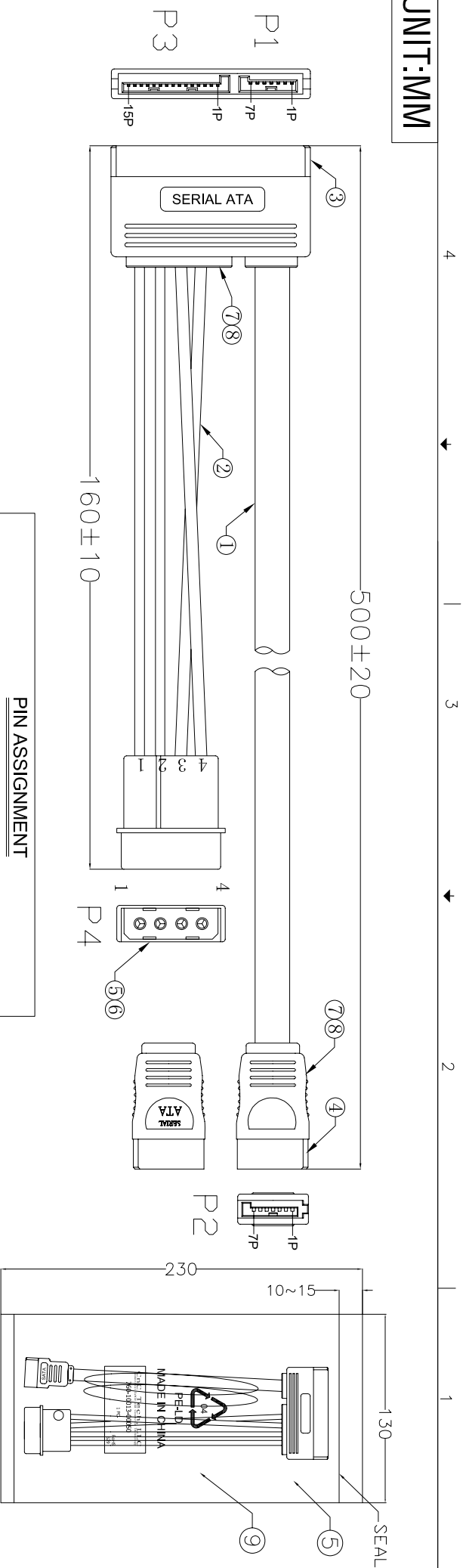
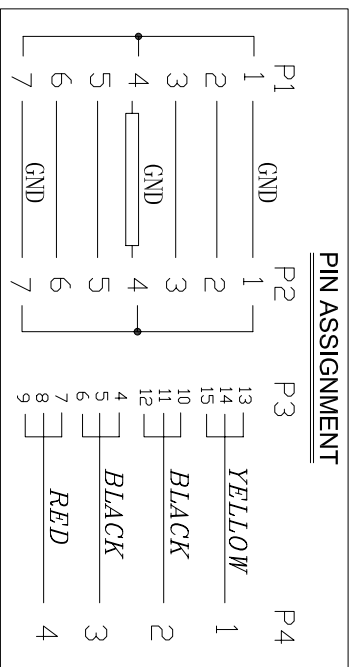


UNIT:MM



**Electrical test:**  
 1. 100% short, open, miswire test  
 2. Conduct resistance: 2 Ohm(max)  
 3. Insulation resistance: 5Mohm(min)  
 4. Hi-Pot test: DC 300V



⑩	PE BAG	1/10	CLEAR SIZE: 280*330*0.05mm PRINT BLACK*MADE IN CHINA*+*10PCS*及生产日期,有透气孔.
⑨	PE BAG	1	CLEAR SIZE: 130*230*0.05mm PRINT BLACK*MADE IN CHINA*+*1PC*及生产日期,有透气孔.
⑧	IN JACKET	8g	CLEAR HD-PE
⑦	OUT JACKET	13g	PVC 45P COLOR BLACK
⑥	TERMINAL	4	TERMINAL MALE HPH=5.08mm TIN-PLATED.
⑤	HOUSING	1	BIG 4PIN FEMALE HOUSING PH=5.08mm WHITE
④	CONN	1	SATA 7P/F CONNECTOR:CRIMP TYPE TERMINAL:15U" INSULATOR:BLACK PBT
③	CONN	1	SATA 7P/F+15P/F CONNECTOR:CRIMP TYPE TERMINAL:15U" INSULATOR:BLACK PBT
②	CABLE	1	UL1007 18AWG(41/0.16 TC) OD2.0mm JACKET YELLOW L140mm.
		2	UL1007 18AWG(41/0.16 TC) OD2.0mm JACKET BLACK L140mm.
①	CABLE	1	UL1007 18AWG(41/0.16 TC) OD2.0mm JACKET RED L140mm.
		1	UL2725 [26AWG(1/0.404)*2+D(1/0.32)*2+AL]*2F OD2.2*7.8mm JACKET RED(RD-16#) L485+5/-0mm.
NO.	NAME	Q'TY	SPECIFICATION

**Cnc Tech, LLC**

Industrial Cable and Connector Technology

DRAWN BY ZHONGHS DAWJING NO.

CHECKED BY CUSTOMER

APPROVAL BY ITEM NO. 760-10013-00050

DECIDE BY DATE 2012-02-16

VERSIONS/EDITION A/0 PROJECTION

