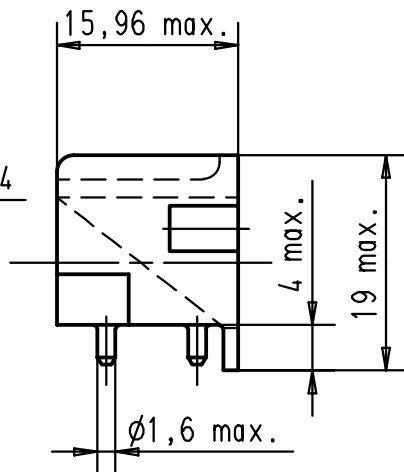
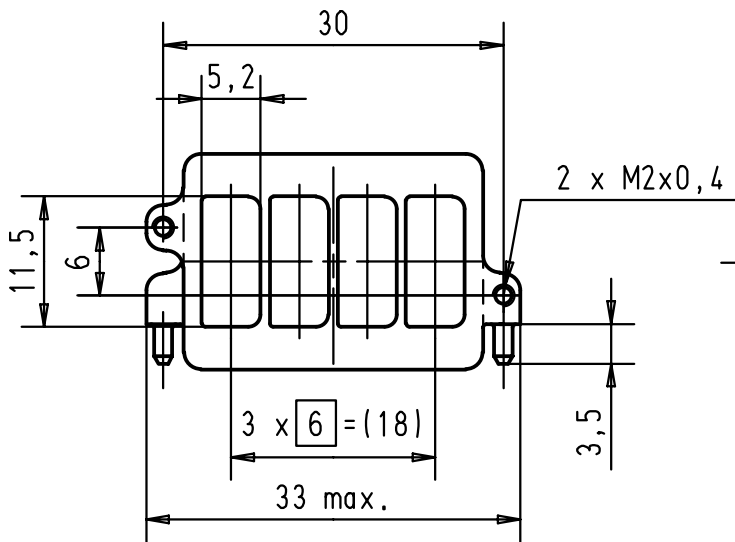
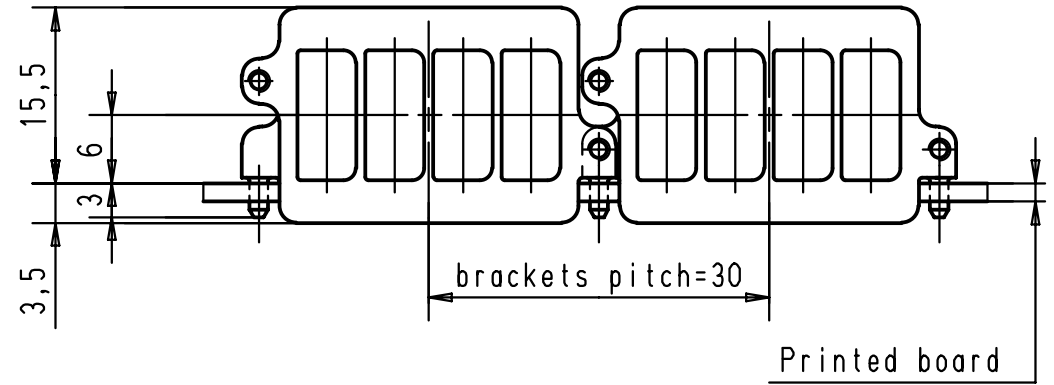
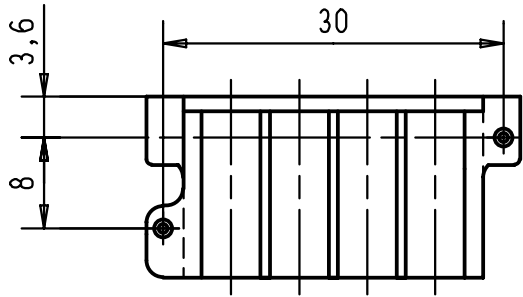
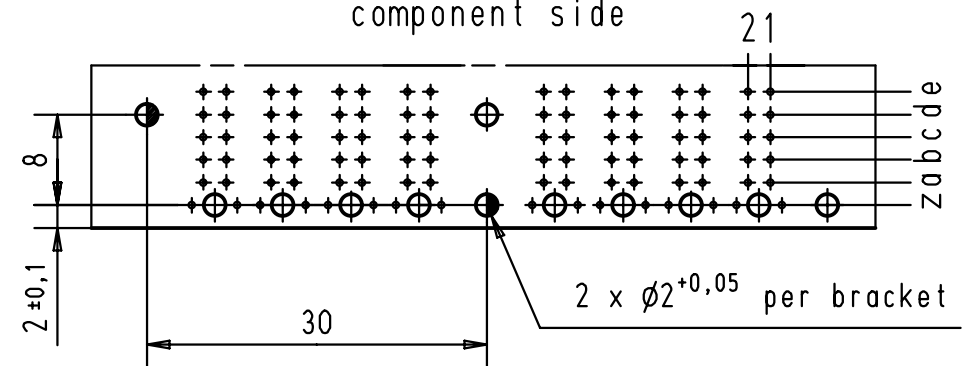


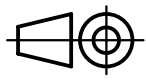

5 4 3 2 1



Printed board layout component side



material = Zamak die cast
plating = Ni over Cu

				Dat.	Name	 All Dim. in mm Orig. Size DIN A 4	har.link® 4 cavities bracket with front fixing M2x0,4	Maßstab/ Scale 1,5:1
			Detail.	08-DEC-94	JB			
			Insp.					
			Stand.					
27947	22-SEP-00	JB					TB 27 71 040 0001	Blatt/ Page 1 / 1
16242	01-SEP-95	JB						
14898	08-DEC-94	JB						
Mod.	Dat.	Name	HARTING EURL F-95972 Paris					