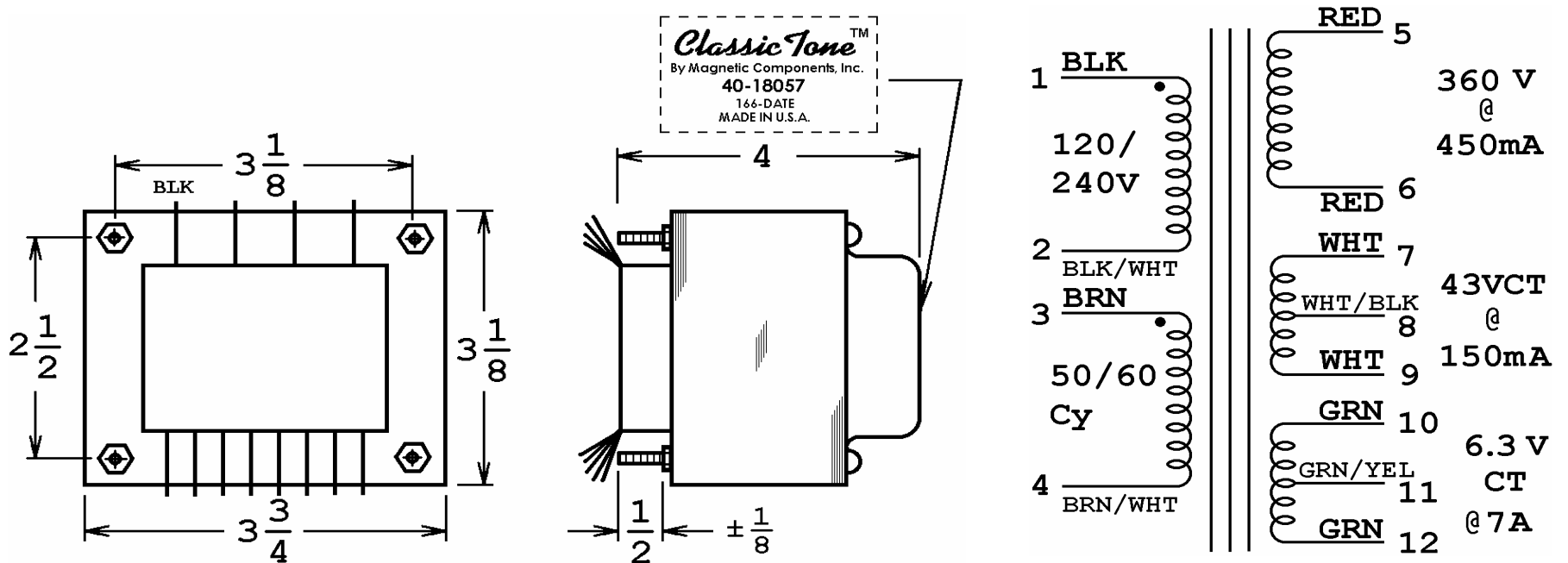


40-18057

This drawing is the property of Magnetic Components, Inc. and shall not be reproduced, in whole or in part, without the written permission of Magnetic Components, Inc.

REVISIONS			
LTR	DESCRIPTION	DATE	APPROVED
A	REVISED RATINGS	01/25/11	M. Sacketti
B	ADD PRI CONNECTIONS	04/06/11	M. Sacketti
C	ADD MOUNTING HARDWARE NOTE	10/28/11	M. Sacketti
D	SCREW LENGTH WAS 5/8" L	01/27/14	M. Sacketti



USE FOUR # 8-32 HEX NUTS (NOT SUPPLIED) FOR CHASSIS MOUNTING. PLEASE DO NOT REMOVE EXISTING HEX NUTS.

UNLESS OTHERWISE SPECIFIED		SIGNATURES		DATE		MAGNETIC COMPONENTS, INC.		DIV :		
ALL DIMENSIONS IN INCHES DO NOT SCALE DRAWING		DRAWN : <i>M. Sacketti</i>		24 NOV 10		TITLE		LOC : SCHILLER PK		
FRACTIONS +/-		CHECK :				JCM900 100W POWER				
.X = +/-		APPR : <i>M. Sacketti</i>		24 NOV 10						
.XX = +/-										
.XXX = +/-										
ANGLES = +/-						CAGE	50508	SIZE	PART No. 40-18057	REV
						SCALE	NONE	A		D
SHEET :										