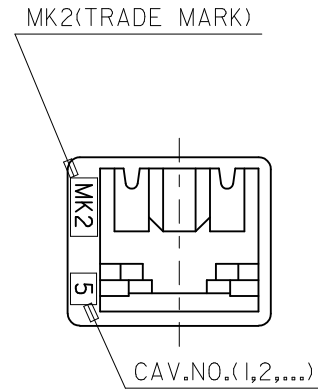
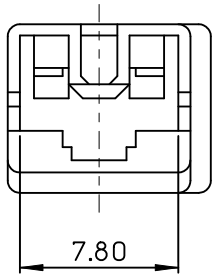
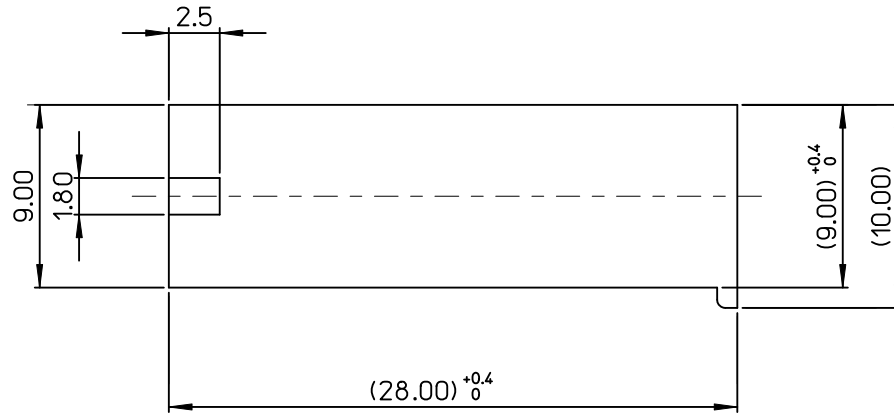
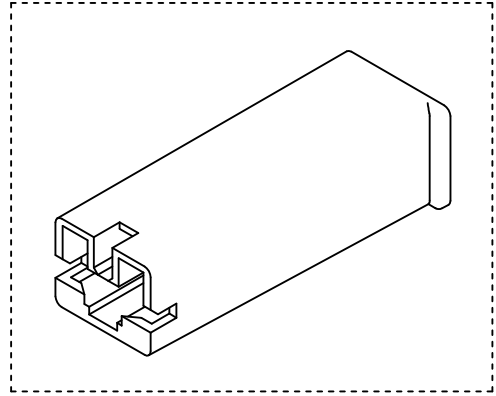


10 9 8 7 6 5 4 3 2 1



NOTES

1. MATERIAL & PART NO.

NO.	MATERIAL NO.	PART NO.	MATERIAL
1	351960110	35196-0110	PA66,UL94V-2
2	351960111	35196-0111	©PA66,UL94V-0

2. FINISH : NATURAL COLOR

3. APPLICABLE TERMINAL : 35072-9*02

REVISED EC NO: KOR2011-0074 DRWN: JHPARK01 2011/01/26 CHKD: SH. CHU 2011/01/26 APPR: YUNSIKIM 2011/01/27	DESCRIPTION REV	QUALITY SYMBOLS ▽=0 ▽=0	GENERAL TOLERANCES (UNLESS SPECIFIED)		DIMENSION STYLE MM ONLY		SCALE 4:1	DESIGN UNITS METRIC	THIRD ANGLE PROJECTION	
			mm	INCH	DRAWN BY WY. YANG	DATE 1996/03/19	TITLE .250 P-LOCK HOUSING-1P			
					CHECKED BY BK. CHOI	DATE 1996/03/19				
						APPROVED BY CW. LEE	DATE 1996/03/19	MOLEX INCORPORATED DOCUMENT NO. SD-35196-0110		
DRAFT WHERE APPLICABLE MUST REMAIN WITHIN DIMENSIONS			SEE NOTE		MATERIAL NO.		SHEET NO.			
					SIZE A3		THIS DRAWING CONTAINS INFORMATION THAT IS PROPRIETARY TO MOLEX INCORPORATED AND SHOULD NOT BE USED WITHOUT WRITTEN PERMISSION			

9 8 7 6 5 4 3 2 1