

## DUAL 4-PORT AND DUAL 8-PORT LVDS REPEATERS

### FEATURES

- Two Line Receivers and Eight ('109) or Sixteen ('117) Line Drivers Meet or Exceed the Requirements of ANSI EIA/TIA-644 Standard
- Typical Data Signaling Rates to 400 Mbps or Clock Frequencies to 400 MHz
- Outputs Arranged in Pairs From Each Bank
- Enabling Logic Allows Individual Control of Each Driver Output Pair, Plus All Outputs
- Low-Voltage Differential Signaling With Typical Output Voltage of 350 mV and a 100-Ω Load
- Electrically Compatible With LVDS, PECL, LVPECL, LVTTTL, LVCMOS, GTL, BTL, CTT, SSTL, or HSTL Outputs With External Termination Networks
- Propagation Delay Times < 4.5 ns
- Output Skew Less Than 550 ps Bank Skew Less Than 150 ps Part-to-Part Skew Less Than 1.5 ns
- Total Power Dissipation Typically < 500 mW With All Ports Enabled and at 200 MHz
- Driver Outputs or Receiver Input Equals High Impedance When Disabled or With  $V_{CC} < 1.5$  V
- Bus-Pin ESD Protection Exceeds 12 kV
- Packaged in Thin Shrink Small-Outline Package With 20-Mil Terminal Pitch

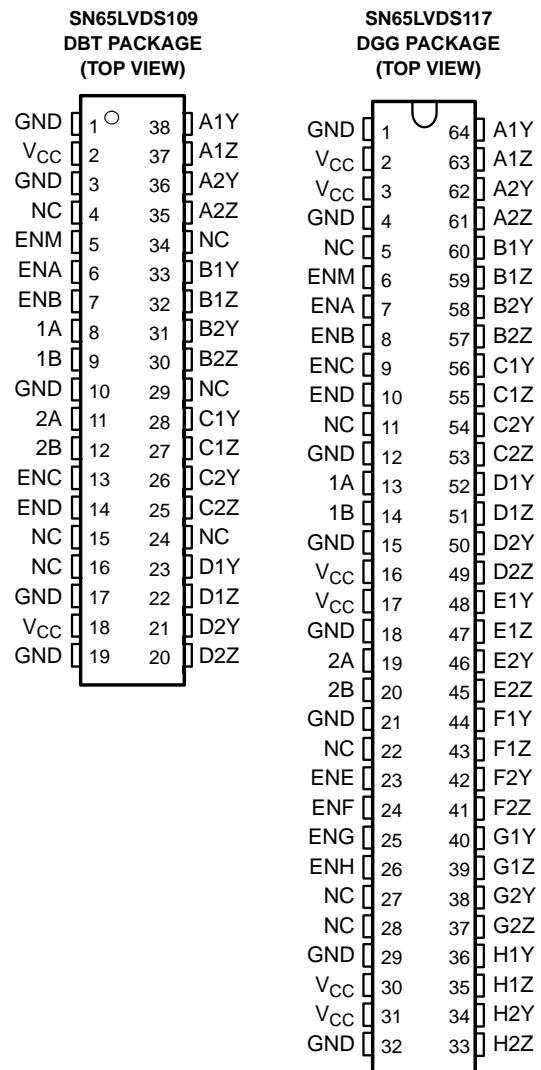
### DESCRIPTION

The SN65LVDS109 and SN65LVDS117 are configured as two identical banks, each bank having one differential line receiver connected to either four ('109) or eight ('117) differential line drivers. The outputs are arranged in pairs having one output from each of the two banks. Individual output enables are provided for each pair of outputs and an additional enable is provided for all outputs.

The line receivers and line drivers implement the electrical characteristics of low-voltage differential signaling (LVDS). LVDS, as specified in EIA/TIA-644, is a data signaling technique that offers low power, low noise emission, high noise immunity, and high switching speeds. (Note: The ultimate rate and distance of data transfer is dependent upon the attenuation characteristics of the media, the noise coupling to the environment, and other system characteristics.)

The intended application of these devices, and the LVDS signaling technique, is for point-to-point or point-to-multipoint (distributed simplex) baseband data transmission on controlled impedance media of approximately 100 Ω. The transmission media may be printed-circuit board traces, backplanes, or cables. The large number of drivers integrated into the same silicon substrate, along with the low pulse skew of balanced signaling, provides extremely precise timing alignment of the signals being repeated from the inputs. This is particularly advantageous for implementing system clock and data distribution trees.

The SN65LVDS109 and SN65LVDS117 are characterized for operation from -40°C to 85°C.

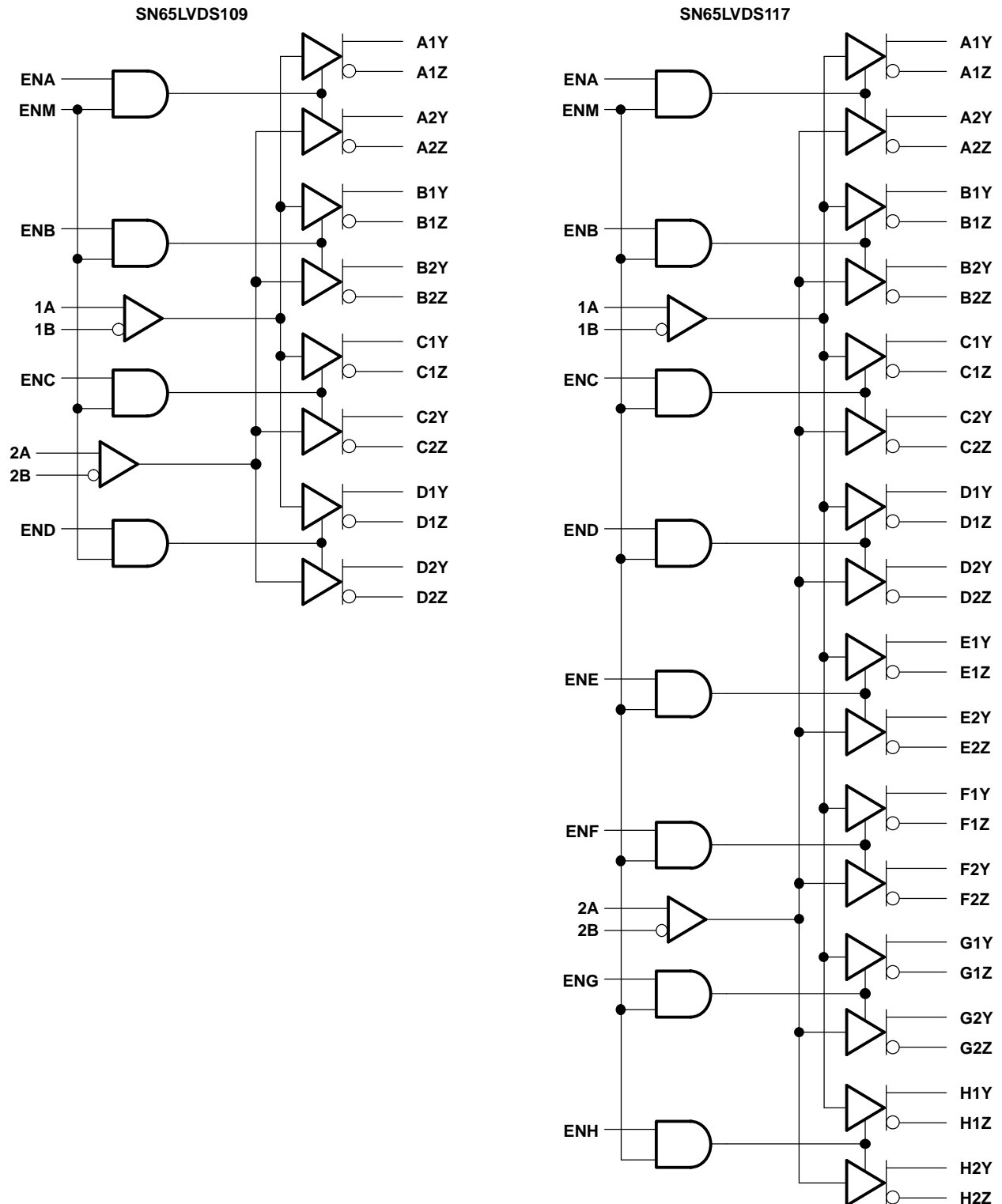


Please be aware that an important notice concerning availability, standard warranty, and use in critical applications of Texas Instruments semiconductor products and disclaimers thereto appears at the end of this data sheet.



These devices have limited built-in ESD protection. The leads should be shorted together or the device placed in conductive foam during storage or handling to prevent electrostatic damage to the MOS gates.

**LOGIC DIAGRAM (POSITIVE LOGIC)**



## SELECTION GUIDE TO LVDS SPLITTERS

The SN65LVDS109 and SN75LVDS117 are both members of a family of LVDS splitters and repeaters. A brief overview of the family is provided by Table 1.

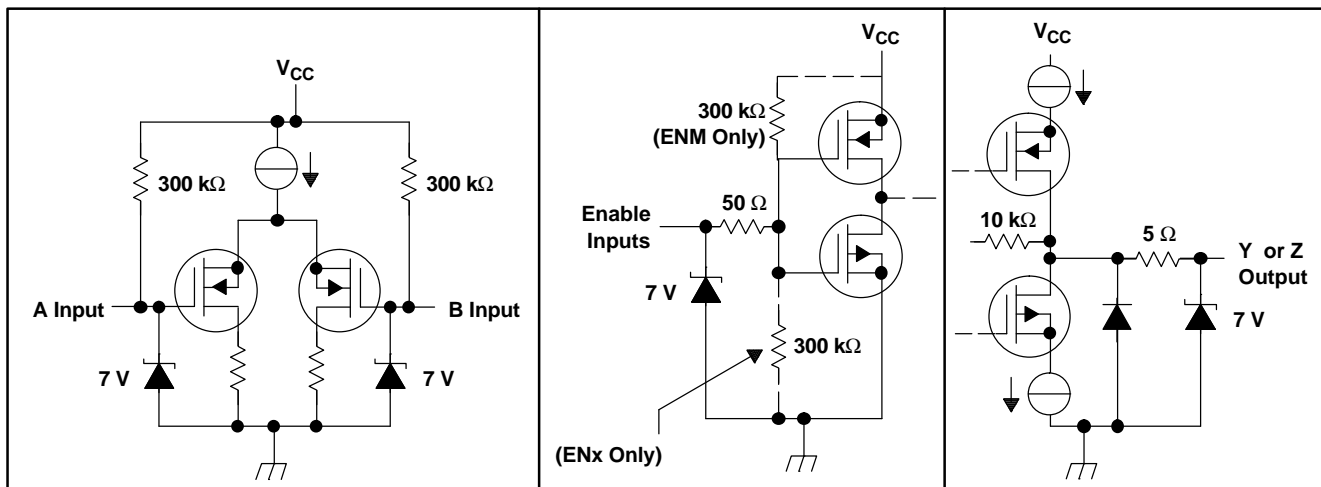
**Table 1. LVDS SPLITTER AND REPEATER FAMILY**

DEVICE	NUMBER OF INPUTS	NUMBER OF OUTPUTS	PACKAGE	COMMENTS
SN65LVDS104	1 LVDS	4 LVDS	16-pin D	4-Port LVDS repeater
SN65LVDS105	1 LVTTTL	4 LVDS	16-pin D	4-Port TTL-to-LVDS repeater
SN65LVDS108	1 LVDS	8 LVDS	38-pin DBT	8-Port LVDS repeater
SN65LVDS109	2 LVDS	8 LVDS	38-pin DBT	Dual 4-port LVDS repeater
SN65LVDS116	1 LVDS	16 LVDS	64-pin DGG	16-Port LVDS repeater
SN65LVDS117	2 LVDS	16 LVDS	64-pin DGG	Dual 8-Port LVDS repeater

### FUNCTION TABLE

INPUTS			OUTPUTS	
$V_{ID} = V_A - V_B$	ENM	ENx	$\bar{x}Y$	$\bar{x}Z$
X	L	X	Z	Z
X	X	L	Z	Z
$V_{ID} \geq 100 \text{ mV}$	H	H	H	L
$-100 \text{ mV} < V_{ID} < 100 \text{ mV}$	H	H	?	?
$V_{ID} \leq -100 \text{ mV}$	H	H	L	H

### EQUIVALENT INPUT AND OUTPUT SCHEMATIC DIAGRAMS



## ABSOLUTE MAXIMUM RATINGS

over operating free-air temperature range (unless otherwise noted)<sup>(1)</sup>

		UNIT
Supply voltage range, $V_{CC}$ <sup>(2)</sup>		–0.5 V to 4 V
Input voltage range	Enable inputs	–0.5 V to 6 V
	A, B, Y or Z	–0.5 V to 4 V
Electrostatic discharge	A, B, Y, Z, and GND <sup>(3)</sup>	Class 3, A:12 kV, B: 500 V
Continuous power dissipation		See Dissipation Rating Table
Storage temperature range		–65°C to 150°C
Lead temperature 1,6 mm (1/16 inch) from case for 10 seconds		260°C

- (1) Stresses beyond those listed under *absolute maximum ratings* may cause permanent damage to the device. These are stress ratings only, and functional operation of the device at these or any other conditions beyond those indicated under *recommended operating conditions* is not implied. Exposure to absolute-maximum-rated conditions for extended periods may affect device reliability.
- (2) All voltage values, except differential I/O bus voltages, are with respect to network ground terminal.
- (3) Tested in accordance with MIL-STD-883C Method 3015.7.

## DISSIPATION RATING TABLE

PACKAGE	$T_A \leq 25^\circ\text{C}$ POWER RATING	DERATING FACTOR <sup>(1)</sup> ABOVE $T_A = 25^\circ\text{C}$	$T_A = 85^\circ\text{C}$ POWER RATING
DBT	1277 mW	10.2 mW/°C	644 mW
DGG	2094 mW	16.7 mW/°C	1089 mW

- (1) This is the inverse of the junction-to-ambient thermal resistance when board-mounted (low-k) with no air flow.

## RECOMMENDED OPERATING CONDITIONS

		MIN	NOM	MAX	UNIT
$V_{CC}$	Supply voltage	3	3.3	3.6	V
$V_{IH}$	High-level input voltage	2			V
$V_{IL}$	Low-level input voltage			0.8	V
$V_I$ or $V_{IC}$	Voltage at any bus terminal (separately or common-mode)	0		$V_{CC} - 0.8$	V
$T_A$	Operating free-air temperature	–40		85	°C

## ELECTRICAL CHARACTERISTICS

over recommended operating conditions (unless otherwise noted)

PARAMETER		TEST CONDITIONS	MIN	TYP <sup>(1)</sup>	MAX	UNIT	
$V_{ITH+}$	Positive-going differential input voltage threshold	See Figure 1 and Table 2			100	mV	
$V_{ITH-}$	Negative-going differential input voltage threshold				-100		
$ V_{OD} $	Differential output voltage magnitude	$R_L = 100 \Omega$ , $V_{ID} = \pm 100$ mV, See Figure 1 and Figure 2	247	340	454	mV	
$\Delta V_{OD} $	Change in differential output voltage magnitude between logic states		-50		50		
$V_{OC(SS)}$	Steady-state common-mode output voltage	See Figure 3	1.125		1.375	V	
$\Delta V_{OC(SS)}$	Change in steady-state common-mode output voltage between logic states		-50		50	mV	
$V_{OC(PP)}$	Peak-to-peak common-mode output voltage			50		150	
$I_{CC}$	Supply current	SN65LVDS109	Enabled, $R_L = 100 \Omega$		46	64	mA
			Disabled		6	8	
		SN65LVDS117	Enabled, $R_L = 100 \Omega$		85	122	
			Disabled		6	8	
$I_I$	Input current (A or B inputs)	$V_I = 0$ V		-2	-20	$\mu$ A	
		$V_I = 2.4$ V		-1.2			
$I_{I(OFF)}$	Power-off input current (A or B inputs)	$V_{CC} = 1.5$ V, $V_I = 2.4$ V			20	$\mu$ A	
$I_{IH}$	High-level input current (enables)	$V_{IH} = 2$ V			20	$\mu$ A	
$I_{IL}$	Low-level input current (enables)	$V_{IL} = 0.8$ V			10	$\mu$ A	
$I_{OS}$	Short-circuit output current	$V_{OY}$ or $V_{OZ} = 0$ V			$\pm 24$	mA	
		$V_{OD} = 0$ V			$\pm 12$		
$I_{OZ}$	High-impedance output current	$V_O = 0$ V or $V_{CC}$			$\pm 1$	$\mu$ A	
$I_{O(OFF)}$	Power-off output current	$V_{CC} = 1.5$ V, $V_O = 3.6$ V			$\pm 1$	$\mu$ A	
$C_{IN}$	Input capacitance (A or B inputs)	$V_I = 0.4 \sin(4E6\pi t) + 0.5$ V			5	pF	
$C_O$	Output capacitance (Y or Z outputs)	$V_I = 0.4 \sin(4E6\pi t) + 0.5$ V, Disabled			9.4		

(1) All typical values are at 25°C and with a 3.3-V supply.

## SWITCHING CHARACTERISTICS

over recommended operating conditions (unless otherwise noted)

PARAMETER		TEST CONDITIONS	MIN	TYP <sup>(1)</sup>	MAX	UNIT
$t_{PLH}$	Propagation delay time, low-to-high-level output	$R_L = 100 \Omega$ , $C_L = 10 \text{ pF}$ , See Figure 4	1.6	2.8	4.5	ns
$t_{PHL}$	Propagation delay time, high-to-low-level output		1.6	2.8	4.5	
$t_r$	Differential output signal rise time		0.3	0.8	1.2	ns
$t_f$	Differential output signal fall time		0.3	0.8	1.2	
$t_{sk(p)}$	Pulse skew ( $ t_{PHL} - t_{PLH} $ ) <sup>(2)</sup>			140	500	ps
$t_{sk(o)}$	Output skew <sup>(3)</sup>			100	550	
$t_{sk(b)}$	Bank skew <sup>(4)</sup>			40	150	ps
$t_{sk(pp)}$	Part-to-part skew <sup>(5)</sup>				1.5	ns
$t_{PZH}$	Propagation delay time, high-impedance-to-high-level output	See Figure 5		5.7	15	ns
$t_{PZL}$	Propagation delay time, high-impedance-to-low-level output			7.7	15	
$t_{PHZ}$	Propagation delay time, high-level-to-high-impedance output			3.2	15	
$t_{PLZ}$	Propagation delay time, low-level-to-high-impedance output			3.2	15	

- (1) All typical values are at 25°C and with a 3.3-V supply.
- (2)  $t_{sk(p)}$  is the magnitude of the time difference between the  $t_{PLH}$  and  $t_{PHL}$  of any output of a single device.
- (3)  $t_{sk(o)}$  is the magnitude of the time difference between the  $t_{PLH}$  or  $t_{PHL}$  of any outputs with both inputs tied together.
- (4)  $t_{sk(b)}$  is the magnitude of the time difference between the  $t_{PLH}$  and  $t_{PHL}$  of the two outputs of any bank of a single device.
- (5)  $t_{sk(pp)}$  is the magnitude of the time difference in propagation delay times between any specified terminals of two devices when both devices operate with the same supply voltages, at the same temperature, and have identical packages and test circuits.

PARAMETER MEASUREMENT INFORMATION

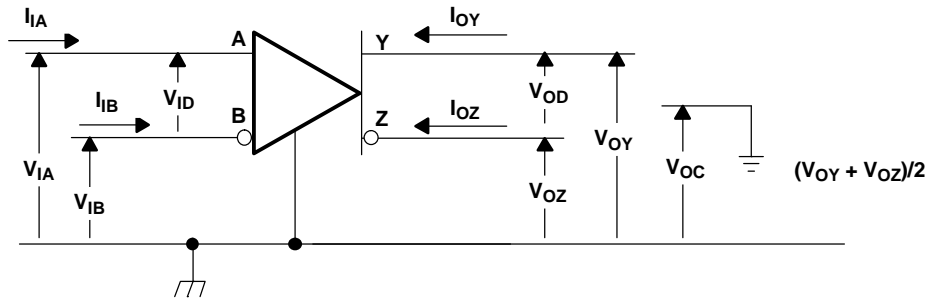


Figure 1. Voltage and Current Definitions

Table 2. Receiver Minimum and Maximum Input Threshold Test Voltages

APPLIED VOLTAGES		RESULTING DIFFERENTIAL INPUT VOLTAGE	RESULTING COMMON-MODE INPUT VOLTAGE
V <sub>IA</sub>	V <sub>IB</sub>	V <sub>ID</sub>	V <sub>IC</sub>
1.25 V	1.15 V	100 mV	1.2 V
1.15 V	1.25 V	-100 mV	1.2 V
2.4 V	2.3 V	100 mV	2.35 V
2.3 V	2.4 V	-100 mV	2.35 V
0.1 V	0 V	100 mV	0.05 V
0 V	0.1 V	-100 mV	0.05 V
1.5 V	0.9 V	600 mV	1.2 V
0.9 V	1.5 V	-600 mV	1.2 V
2.4 V	1.8 V	600 mV	2.1 V
1.8 V	2.4 V	-600 mV	2.1 V
0.6 V	0 V	600 mV	0.3 V
0 V	0.6 V	-600 mV	0.3 V

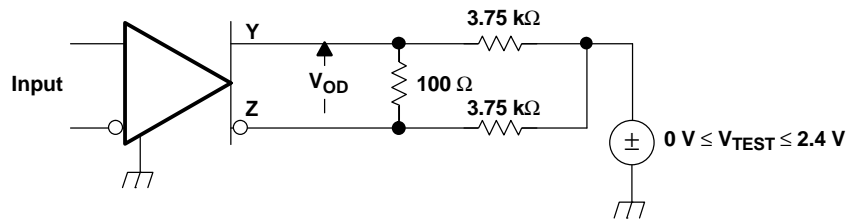
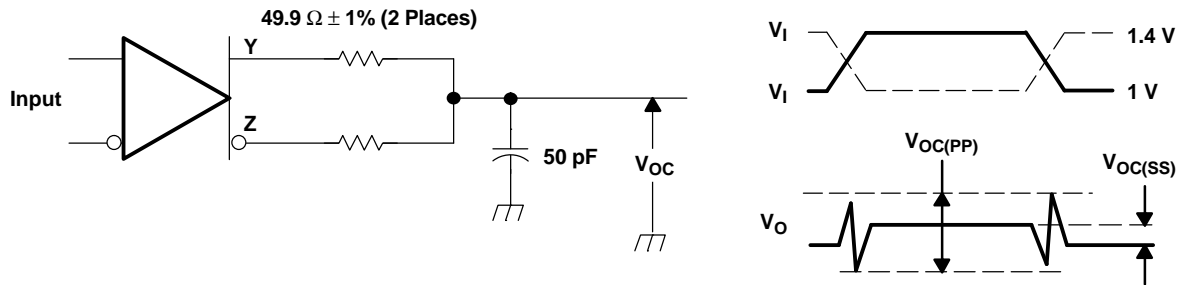
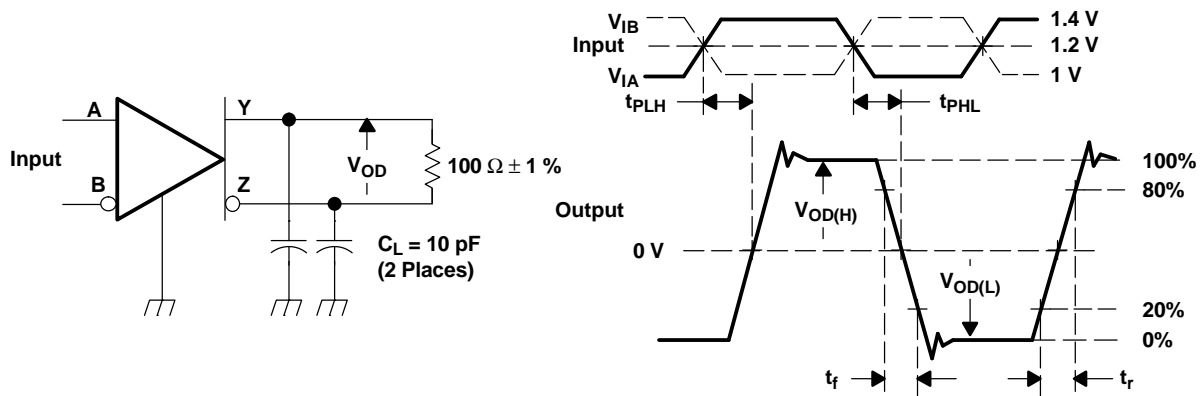


Figure 2. V<sub>OD</sub> Test Circuit



- A. All input pulses are supplied by a generator having the following characteristics:  $t_r$  or  $t_f \leq 1$  ns, pulse repetition rate (PRR) = 0.5 Mpps, pulsewidth =  $500 \pm 10$  ns.  $C_L$  includes instrumentation and fixture capacitance within 0,06 mm of the D.U.T. The measurement of  $V_{OC(PP)}$  is made on test equipment with a  $-3$  dB bandwidth of at least 300 MHz.

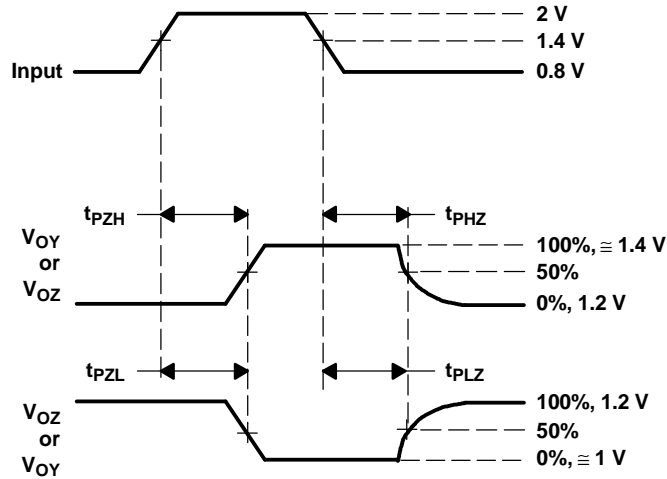
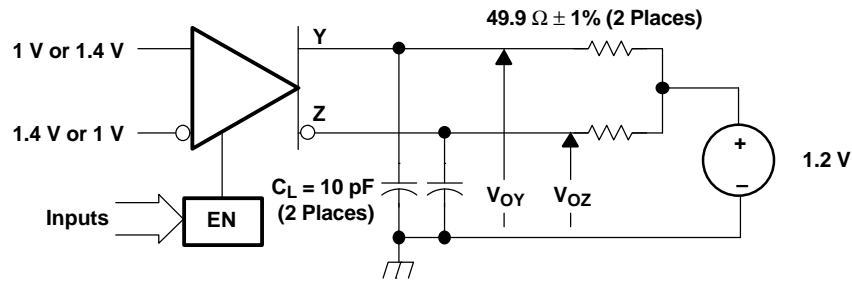
**Figure 3. Test Circuit and Definitions for the Driver Common-Mode Output Voltage**



- A. All input pulses are supplied by a generator having the following characteristics:  $t_r$  or  $t_f \leq 1$  ns, pulse repetition rate (PRR) = 50 Mpps, pulsewidth =  $10 \pm 0.2$  ns.  $C_L$  includes instrumentation and fixture capacitance within 0,06 mm of the D.U.T.

**Figure 4. Test Circuit, Timing, and Voltage Definitions for the Differential Output Signal**





- A. All input pulses are supplied by a generator having the following characteristics:  $t_r$  or  $t_f \leq 1 \text{ ns}$ , pulse repetition rate (PRR) = 0.5 Mpps, pulsewidth =  $500 \pm 10 \text{ ns}$ .  $C_L$  includes instrumentation and fixture capacitance within 0,06 mm of the D.U.T.

Figure 5. Enable and Disable Time Circuit and Definitions

TYPICAL CHARACTERISTICS

SN65LVDS109  
SUPPLY CURRENT  
VS  
SWITCHING FREQUENCY

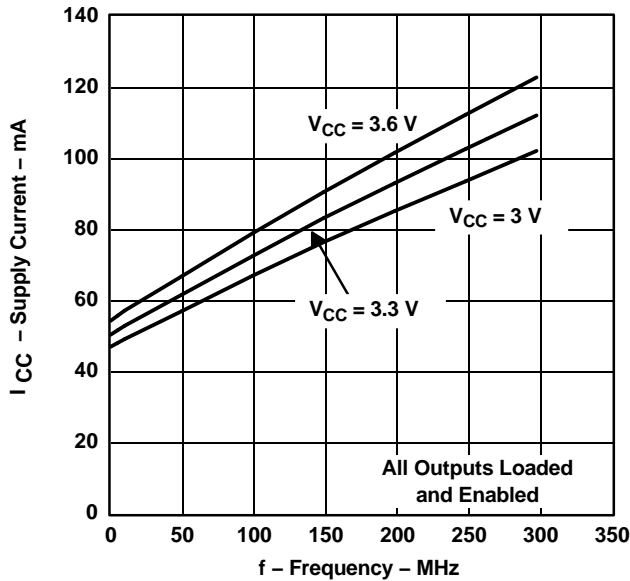


Figure 6.

SN65LVDS117  
SUPPLY CURRENT  
VS  
SWITCHING FREQUENCY

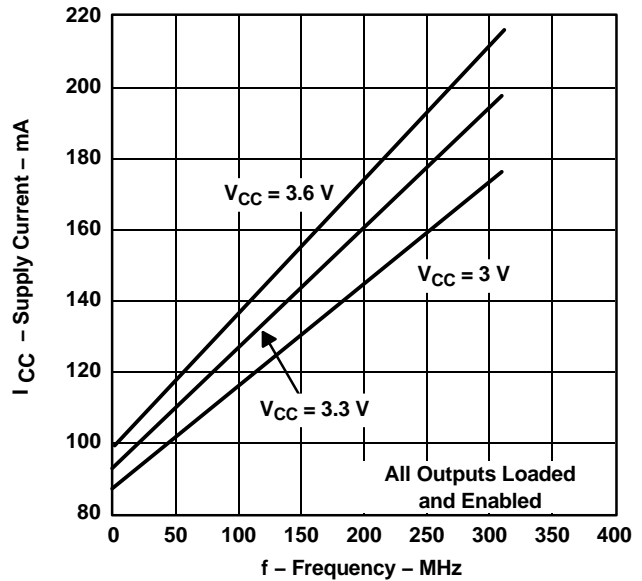


Figure 7.

LOW-TO-HIGH PROPAGATION DELAY TIME  
VS  
FREE-AIR TEMPERATURE

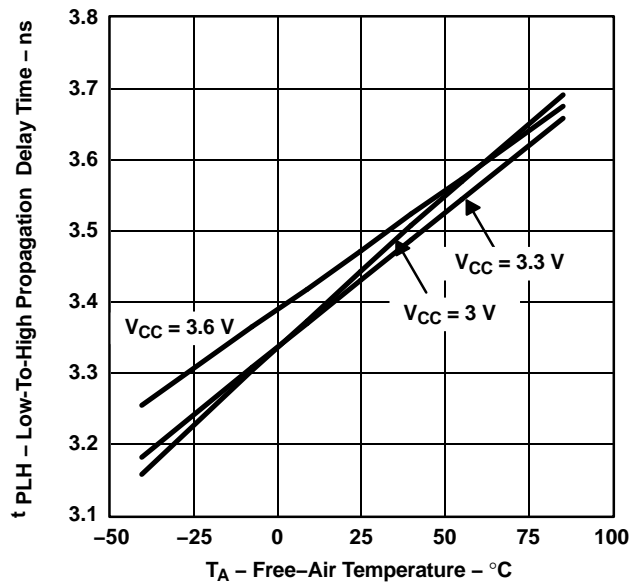


Figure 8.

HIGH-TO-LOW PROPAGATION DELAY TIME  
VS  
FREE-AIR TEMPERATURE

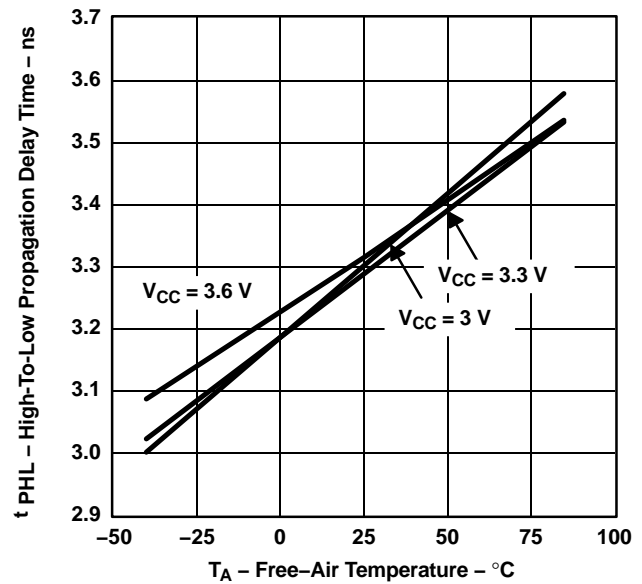
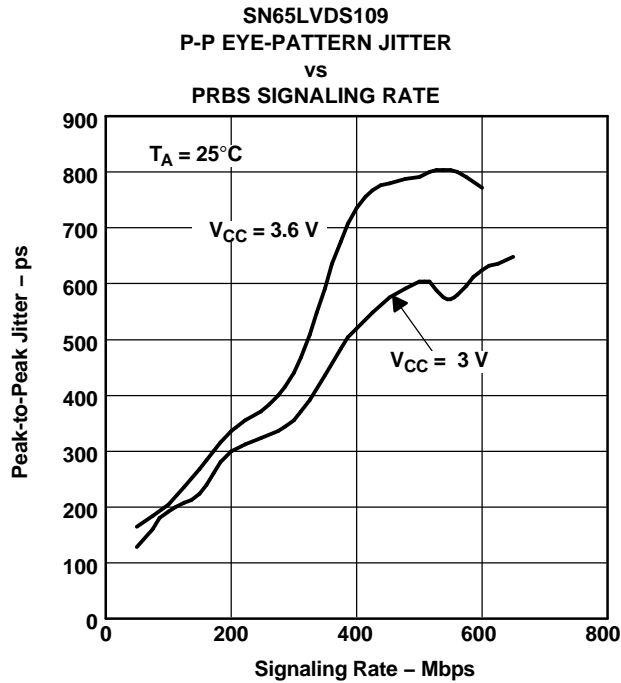


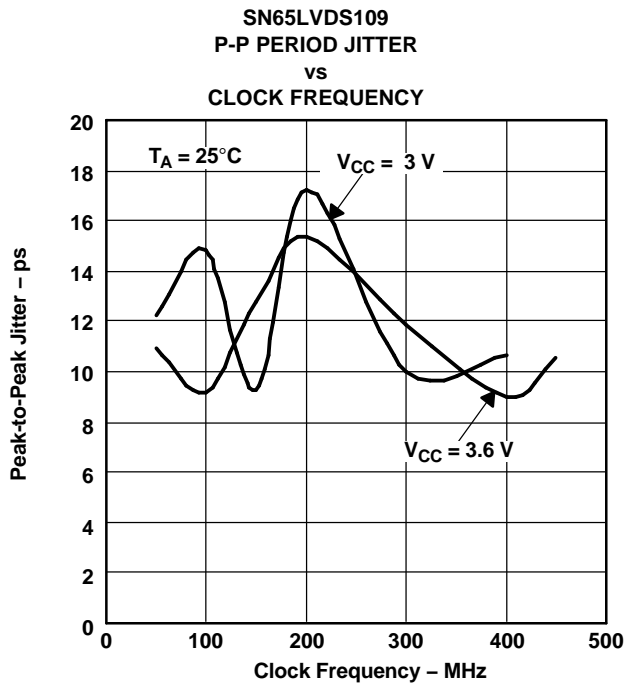
Figure 9.

TYPICAL CHARACTERISTICS (continued)



NOTES: Input:  $2^{15}$  PRBS with peak-to-peak jitter < 100 ps at 100 Mbps, all outputs enabled and loaded with differential 100- $\Omega$  loads, worst-case output, supply decoupled with 0.1- $\mu$ F and 0.001- $\mu$ F ceramic 0603-style capacitors placed 1 cm from the device.

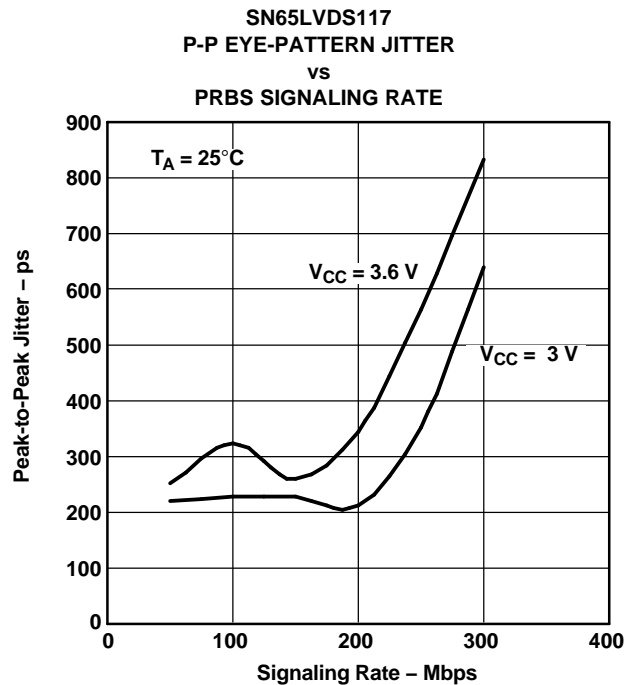
Figure 10.



NOTES: Input: 50% duty cycle square wave with jitter period < 10 ps at 100 MHz, all outputs enabled and loaded with differential 100- $\Omega$  loads, worst-case output, supply decoupled with 0.1- $\mu$ F and 0.001- $\mu$ F ceramic 0603-style capacitors 1 cm from the device.

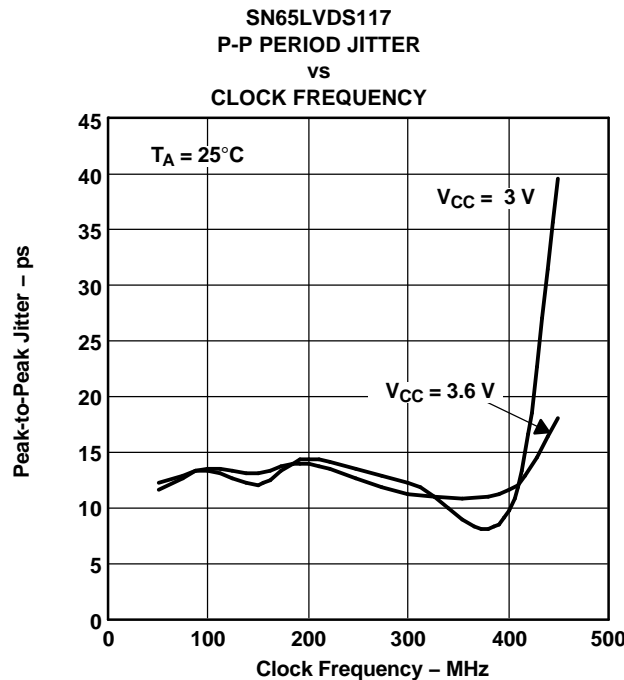
Figure 11.

TYPICAL CHARACTERISTICS (continued)



NOTES: Input: 2<sup>15</sup> PRBS with peak-to-peak jitter < 115 ps at 100 Mbps, all outputs enabled and loaded with differential 100-Ω loads, worst-case output, supply decoupled with 0.1-μF and 0.001-μF ceramic 0805-style capacitors 1 cm from the device.

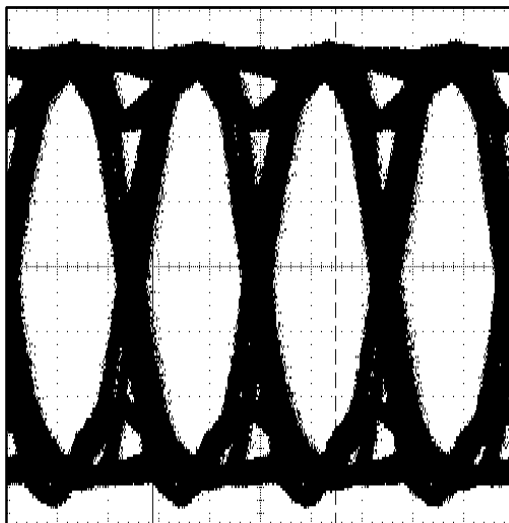
Figure 12.



NOTES: Input: 50% duty cycle square wave with jitter period < 10 ps at 100 MHz, all outputs enabled and loaded with differential 100-Ω loads, worst-case output, supply decoupled with 0.1-μF and 0.001-μF ceramic 0805-style capacitors 1 cm from the device.

Figure 13.

**TYPICAL CHARACTERISTICS (continued)**



**Figure 14. Typical Differential Eye Pattern at 400 Mbps**

## APPLICATION INFORMATION

### FAIL SAFE

A common problem with differential signaling applications is how the system responds when no differential voltage is present on the signal pair. The LVDS receiver is like most differential line receivers, in that its output logic state can be indeterminate when the differential input voltage is between  $-100\text{ mV}$  and  $100\text{ mV}$  and within its recommended input common-mode voltage range. However, TI LVDS receivers handles the open-input circuit situation differently.

Open-circuit means that there is little or no input current to the receiver from the data line itself. This could be when the driver is in a high-impedance state or the cable is disconnected. When this occurs, the LVDS receiver pulls each line of the signal pair to near  $V_{CC}$  through  $300\text{-k}\Omega$  resistors as shown in Figure 15. The fail-safe feature uses an AND gate with input voltage thresholds at about  $2.3\text{ V}$  to detect this condition and force the output to a high-level regardless of the differential input voltage.

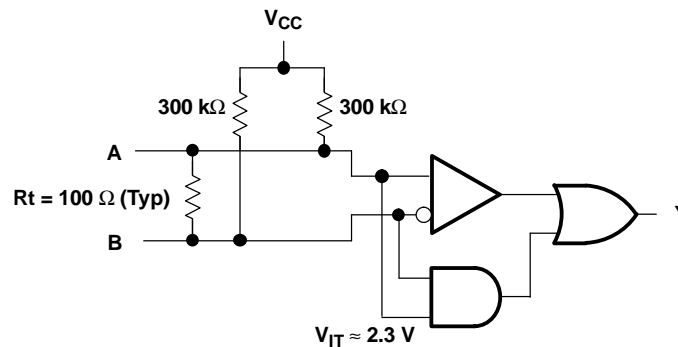


Figure 15. Open-Circuit Fail Safe of the LVDS Receiver

It is only under these conditions that the output of the receiver will be valid with less than a  $100\text{ mV}$  differential input voltage magnitude. The presence of the termination resistor,  $R_t$ , does not affect the fail-safe function as long as it is connected as shown in Figure 15. Other termination circuits may allow a dc current to ground that could defeat the pullup currents from the receiver and the fail-safe feature.

### CLOCK DISTRIBUTION

The SN65LVDS109 and SN65LVDS117 devices solve several problems common to the distribution of timing critical clock and data signals. These problems include:

- Excessive skew between the signals
- Noise pickup over long signaling paths
- High power consumption
- Control of which signal paths are enabled or disabled
- Elimination of radiation from unterminated lines

Buffering and splitting the two related signals on the same silicon die minimizes corruption of the timing relation between the two signals. Buffering and splitting the two signals in separate devices will introduce considerably higher levels of uncontrolled timing skew between the two signals. Higher speed operation and more timing tolerance for other components of the system is enabled by the tighter system timing budgets provided by the single die implementations of the SN65LVDS109 and SN65LVDS117.

The use of LVDS signaling technology for both the inputs and the outputs provides superior common-mode and noise tolerance compared to single-ended I/O technologies. This is particularly important because the signals that are being distributed must be transmitted over longer distances, and at higher rates, than can be accommodated with single-ended I/Os. In addition, LVDS consumes considerably less power than other high-performance differential signaling schemes.

## APPLICATION INFORMATION (continued)

The enable inputs provided for each output pair may be used to turn on or off any of the paths. This function is required to prevent radiation of signals from the unterminated signal lines on open connectors, such as when boards or devices are being swapped in the end equipment. The individual bank enables are also required if redundant paths are being utilized for reliability reasons.

The diagram below shows how a pair of clock (C) and data (D) input signals is being identically repeated out two of the available output pairs. A third output pair is shown in the disabled state.

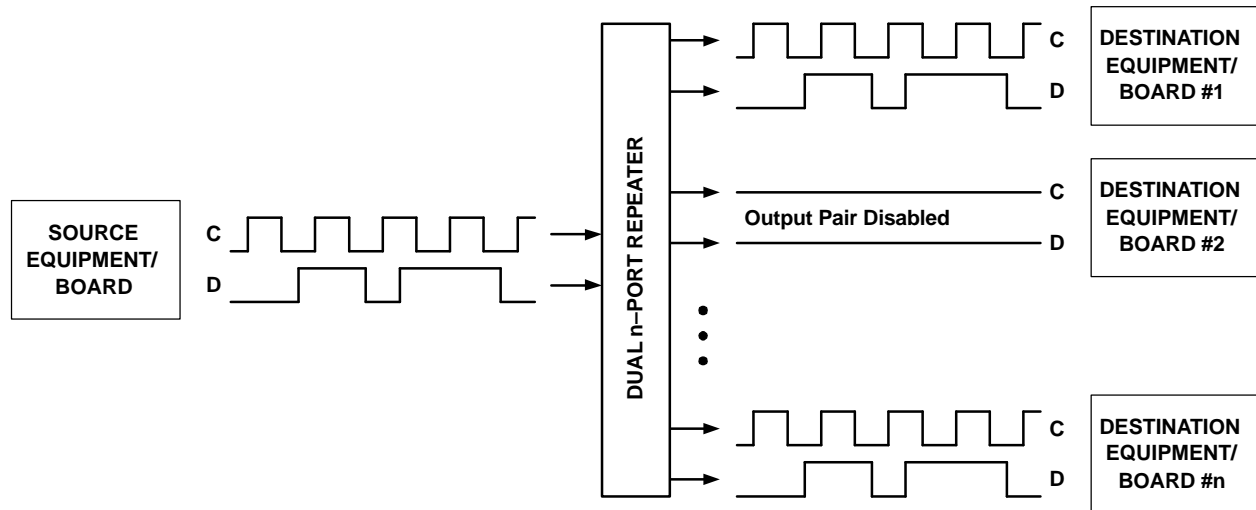


Figure 16. LVDS Repeating Splitter Application Example Showing Individual Path Control

## INPUT LEVEL TRANSLATION

An LVDS receiver can be used to receive various other types of logic signals. Figure 17 through Figure 25 show the termination circuits for SSTL, HSTL, GTL, BTL, LVPECL, PECL, CMOS, and TTL.

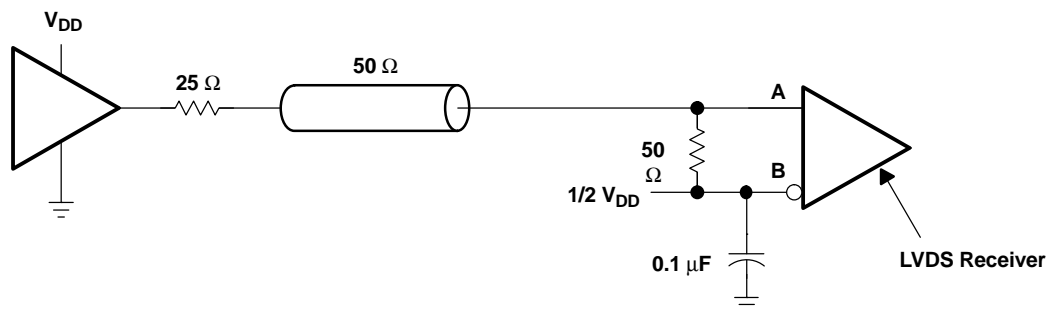


Figure 17. Stub-Series Terminated (SSTL) or High-Speed Transceiver Logic (HSTL)

APPLICATION INFORMATION (continued)

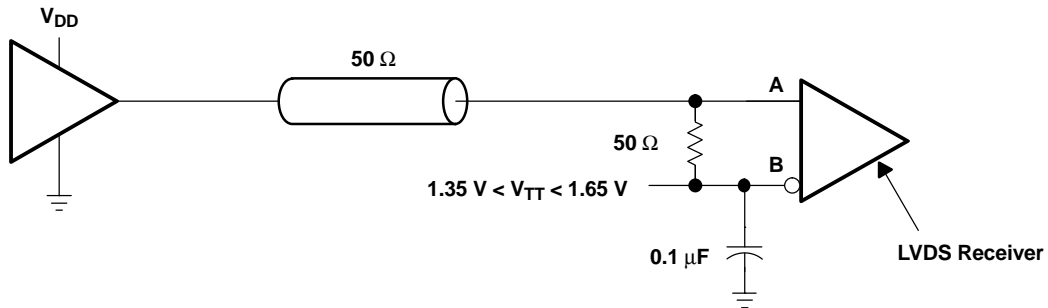


Figure 18. Center-Tap Termination (CTT)

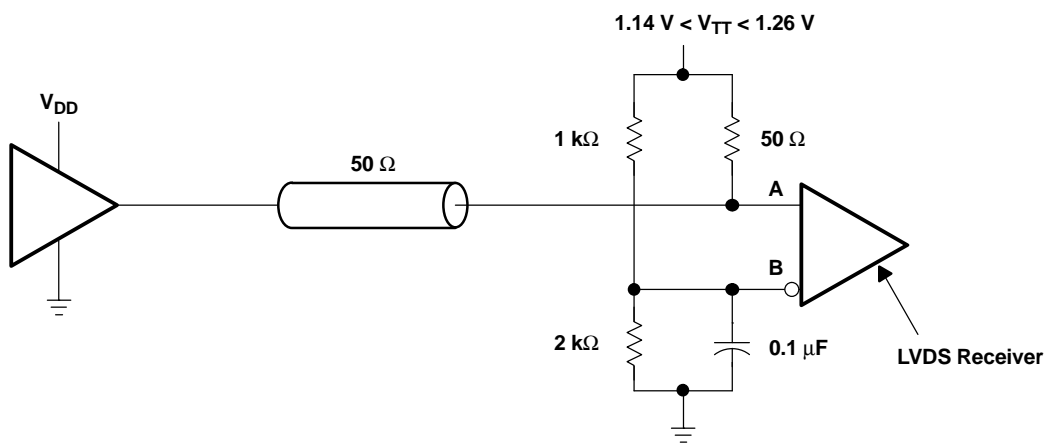


Figure 19. Gunning Transceiver Logic (GTL)

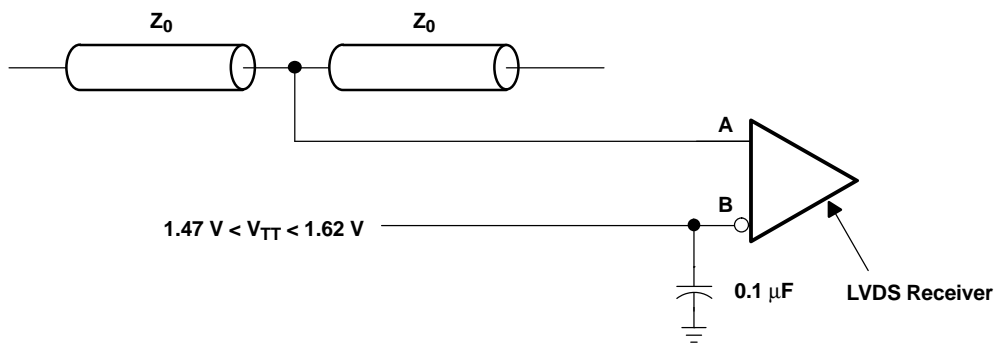
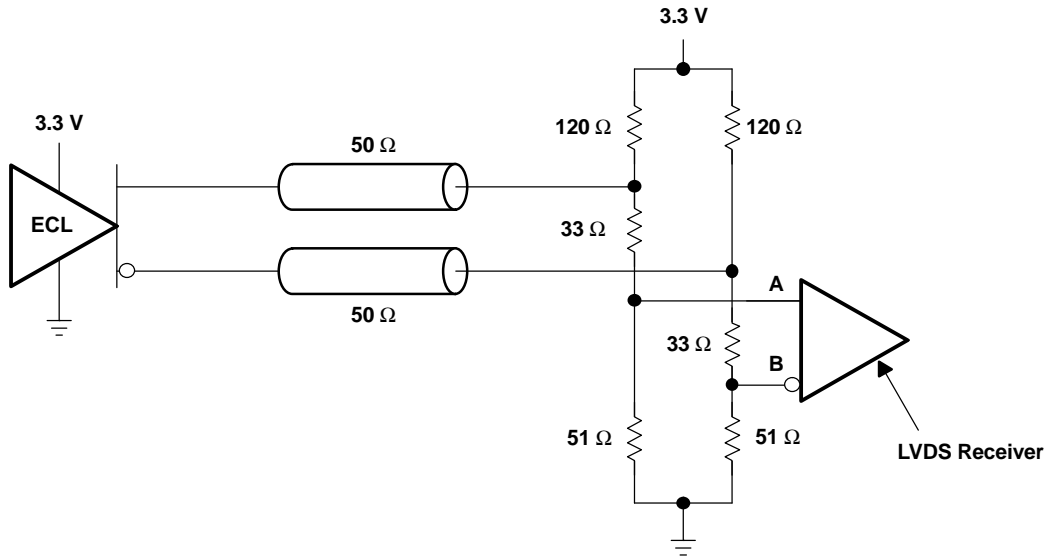


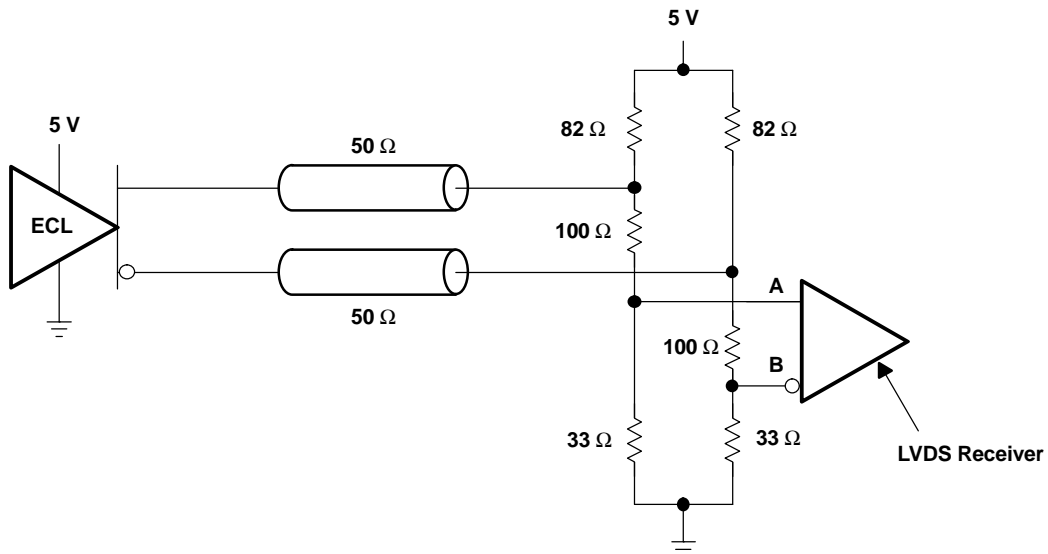
Figure 20. Backplane Transceiver Logic (BTL)



**APPLICATION INFORMATION (continued)**



**Figure 21. Low-Voltage Positive Emitter-Coupled Logic (LVPECL)**



**Figure 22. Positive Emitter-Coupled Logic (PECL)**

APPLICATION INFORMATION (continued)

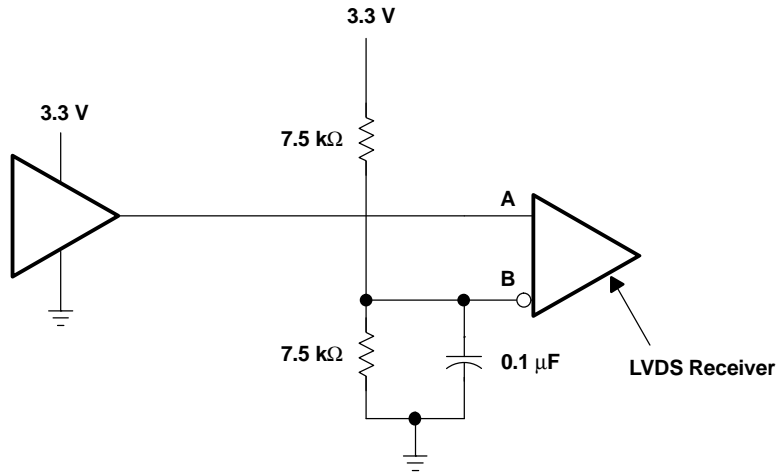


Figure 23. 3.3-V CMOS

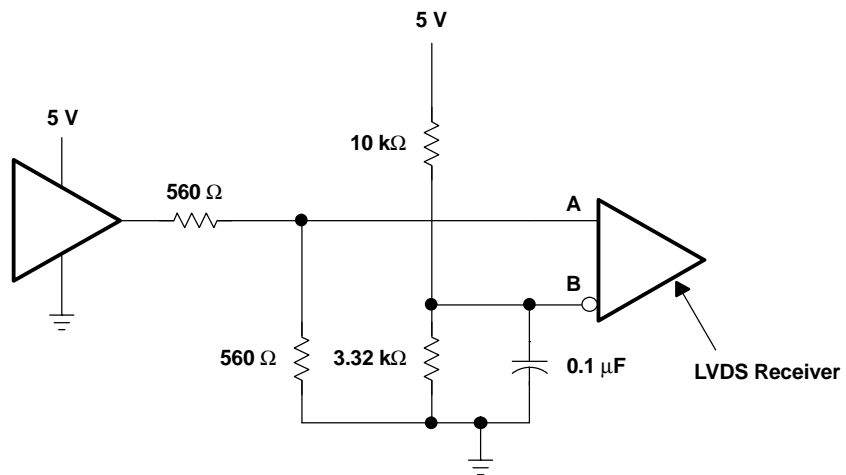


Figure 24. 5-V CMOS

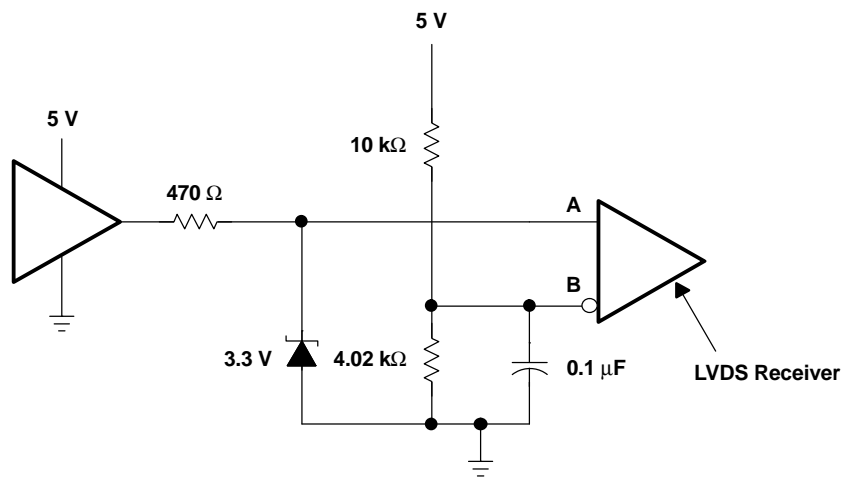


Figure 25. TTL

**PACKAGING INFORMATION**

Orderable Device	Status (1)	Package Type	Package Drawing	Pins	Package Qty	Eco Plan (2)	Lead finish/ Ball material (6)	MSL Peak Temp (3)	Op Temp (°C)	Device Marking (4/5)	Samples
SN65LVDS109DBT	ACTIVE	TSSOP	DBT	38	50	RoHS & Green	NIPDAU	Level-2-260C-1 YEAR	-40 to 85	LVDS109	<a href="#">Samples</a>
SN65LVDS117DGG	ACTIVE	TSSOP	DGG	64	25	RoHS & Green	NIPDAU	Level-2-260C-1 YEAR	-40 to 85	LVDS117	<a href="#">Samples</a>
SN65LVDS117DGGG4	ACTIVE	TSSOP	DGG	64	25	RoHS & Green	NIPDAU	Level-2-260C-1 YEAR	-40 to 85	LVDS117	<a href="#">Samples</a>
SN65LVDS117DGGR	ACTIVE	TSSOP	DGG	64	2000	RoHS & Green	NIPDAU	Level-2-260C-1 YEAR	-40 to 85	LVDS117	<a href="#">Samples</a>

(1) The marketing status values are defined as follows:

**ACTIVE:** Product device recommended for new designs.

**LIFEBUY:** TI has announced that the device will be discontinued, and a lifetime-buy period is in effect.

**NRND:** Not recommended for new designs. Device is in production to support existing customers, but TI does not recommend using this part in a new design.

**PREVIEW:** Device has been announced but is not in production. Samples may or may not be available.

**OBSELETE:** TI has discontinued the production of the device.

(2) **RoHS:** TI defines "RoHS" to mean semiconductor products that are compliant with the current EU RoHS requirements for all 10 RoHS substances, including the requirement that RoHS substance do not exceed 0.1% by weight in homogeneous materials. Where designed to be soldered at high temperatures, "RoHS" products are suitable for use in specified lead-free processes. TI may reference these types of products as "Pb-Free".

**RoHS Exempt:** TI defines "RoHS Exempt" to mean products that contain lead but are compliant with EU RoHS pursuant to a specific EU RoHS exemption.

**Green:** TI defines "Green" to mean the content of Chlorine (Cl) and Bromine (Br) based flame retardants meet JS709B low halogen requirements of <=1000ppm threshold. Antimony trioxide based flame retardants must also meet the <=1000ppm threshold requirement.

(3) MSL, Peak Temp. - The Moisture Sensitivity Level rating according to the JEDEC industry standard classifications, and peak solder temperature.

(4) There may be additional marking, which relates to the logo, the lot trace code information, or the environmental category on the device.

(5) Multiple Device Markings will be inside parentheses. Only one Device Marking contained in parentheses and separated by a "-" will appear on a device. If a line is indented then it is a continuation of the previous line and the two combined represent the entire Device Marking for that device.

(6) Lead finish/Ball material - Orderable Devices may have multiple material finish options. Finish options are separated by a vertical ruled line. Lead finish/Ball material values may wrap to two lines if the finish value exceeds the maximum column width.

**Important Information and Disclaimer:**The information provided on this page represents TI's knowledge and belief as of the date that it is provided. TI bases its knowledge and belief on information provided by third parties, and makes no representation or warranty as to the accuracy of such information. Efforts are underway to better integrate information from third parties. TI has taken and

continues to take reasonable steps to provide representative and accurate information but may not have conducted destructive testing or chemical analysis on incoming materials and chemicals. TI and TI suppliers consider certain information to be proprietary, and thus CAS numbers and other limited information may not be available for release.

In no event shall TI's liability arising out of such information exceed the total purchase price of the TI part(s) at issue in this document sold by TI to Customer on an annual basis.

**TAPE AND REEL INFORMATION**

**QUADRANT ASSIGNMENTS FOR PIN 1 ORIENTATION IN TAPE**


\*All dimensions are nominal

Device	Package Type	Package Drawing	Pins	SPQ	Reel Diameter (mm)	Reel Width W1 (mm)	A0 (mm)	B0 (mm)	K0 (mm)	P1 (mm)	W (mm)	Pin1 Quadrant
SN65LVDS117DGGR	TSSOP	DGG	64	2000	330.0	24.4	8.4	17.3	1.7	12.0	24.0	Q1

**TAPE AND REEL BOX DIMENSIONS**


\*All dimensions are nominal

Device	Package Type	Package Drawing	Pins	SPQ	Length (mm)	Width (mm)	Height (mm)
SN65LVDS117DGGR	TSSOP	DGG	64	2000	367.0	367.0	45.0

**TUBE**


\*All dimensions are nominal

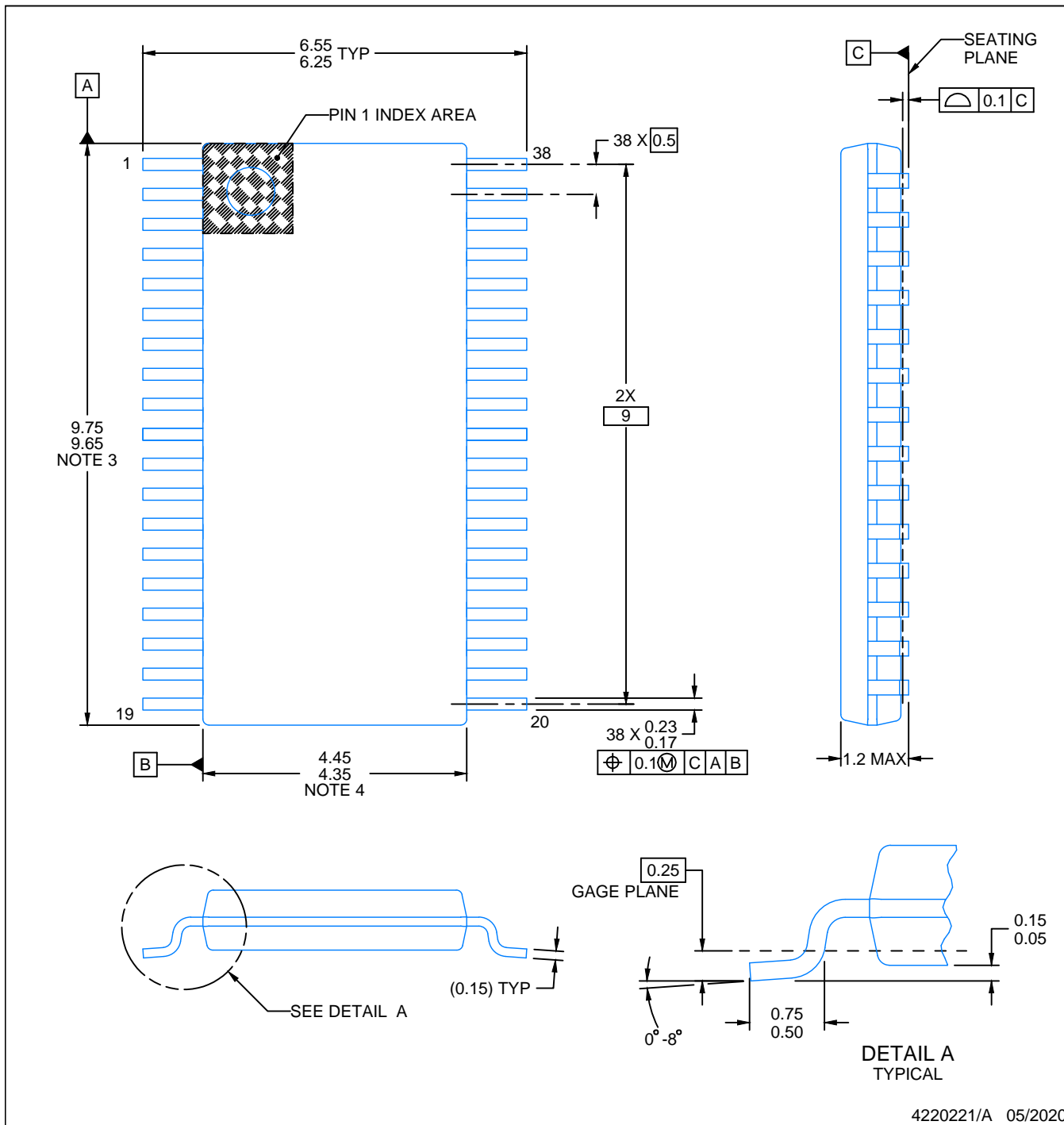
Device	Package Name	Package Type	Pins	SPQ	L (mm)	W (mm)	T (μm)	B (mm)
SN65LVDS109DBT	DBT	TSSOP	38	50	530	10.2	3600	3.5
SN65LVDS117DGG	DGG	TSSOP	64	25	530	11.89	3600	4.9
SN65LVDS117DGGG4	DGG	TSSOP	64	25	530	11.89	3600	4.9

# PACKAGE OUTLINE

DBT0038A

TSSOP - 1.2 mm max height

SMALL OUTLINE PACKAGE



NOTES:

1. All linear dimensions are in millimeters. Any dimensions in parenthesis are for reference only. Dimensioning and tolerancing per ASME Y14.5M.
2. This drawing is subject to change without notice.
3. This dimension does not include mold flash, protrusions, or gate burrs. Mold flash, protrusions, or gate burrs shall not exceed 0.15 mm per side.
4. This dimension does not include interlead flash. Interlead flash shall not exceed 0.25 mm per side.
5. Reference JEDEC registration MO-153.

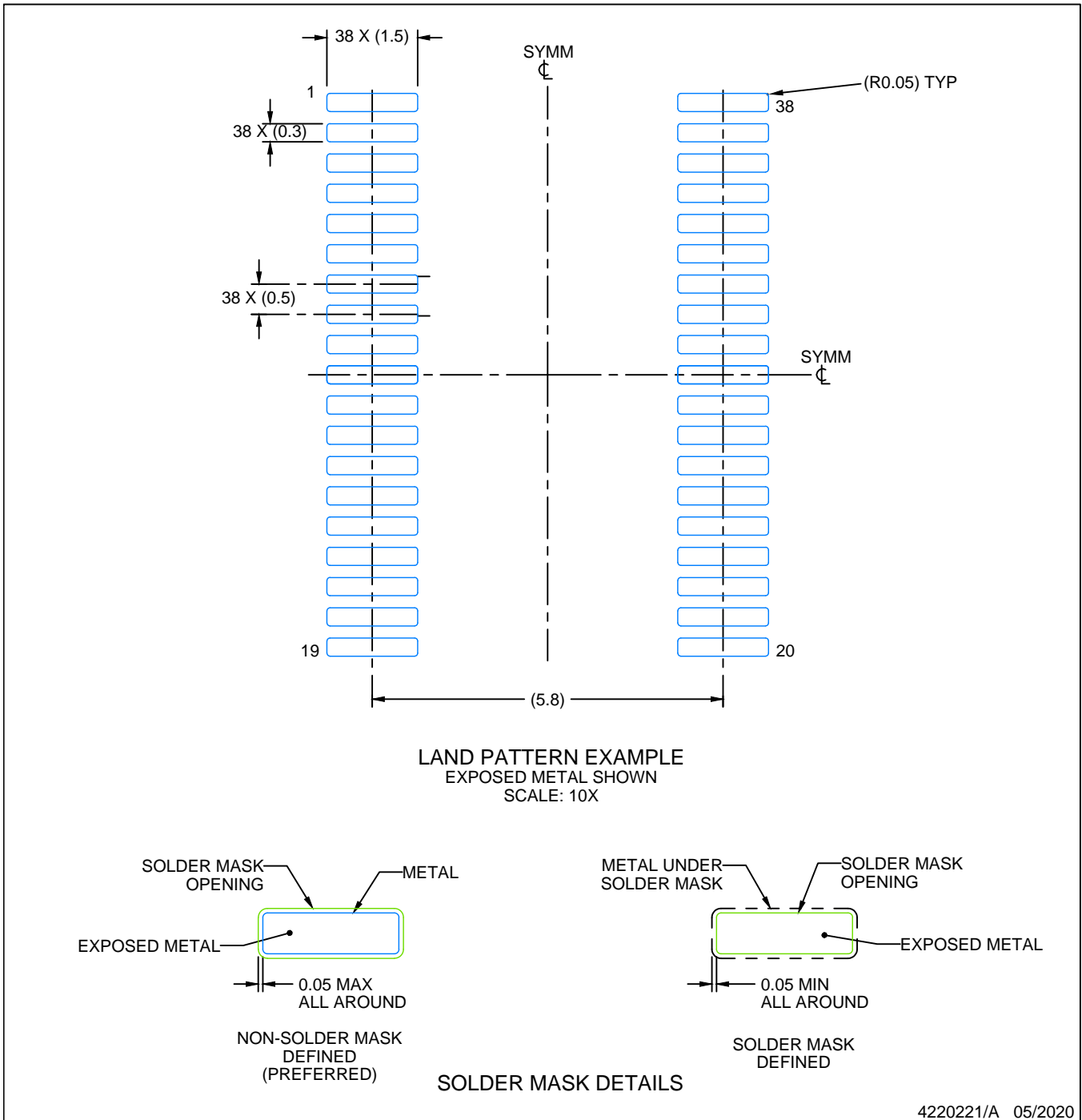


# EXAMPLE BOARD LAYOUT

DBT0038A

TSSOP - 1.2 mm max height

SMALL OUTLINE PACKAGE



NOTES: (continued)

6. Publication IPC-7351 may have alternate designs.

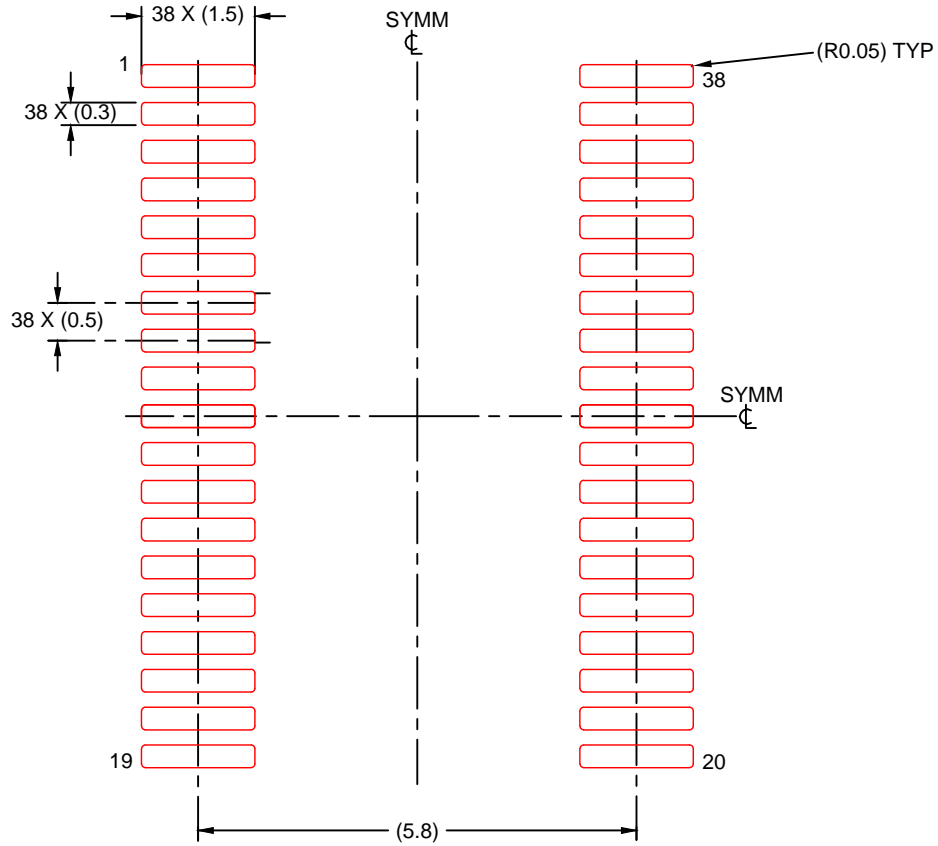
7. Solder mask tolerances between and around signal pads can vary based on board fabrication site.

# EXAMPLE STENCIL DESIGN

DBT0038A

TSSOP - 1.2 mm max height

SMALL OUTLINE PACKAGE



SOLDER PASTE EXAMPLE  
BASED ON 0.125 mm THICK STENCIL  
SCALE: 10X

4220221/A 05/2020

NOTES: (continued)

8. Laser cutting apertures with trapezoidal walls and rounded corners may offer better paste release. IPC-7525 may have alternate design recommendations.
9. Board assembly site may have different recommendations for stencil design.

DGG (R-PDSO-G\*\*)

PLASTIC SMALL-OUTLINE PACKAGE

48 PINS SHOWN



- NOTES: A. All linear dimensions are in millimeters.  
 B. This drawing is subject to change without notice.  
 C. Body dimensions do not include mold protrusion not to exceed 0,15.  
 D. Falls within JEDEC MO-153

## IMPORTANT NOTICE AND DISCLAIMER

TI PROVIDES TECHNICAL AND RELIABILITY DATA (INCLUDING DATA SHEETS), DESIGN RESOURCES (INCLUDING REFERENCE DESIGNS), APPLICATION OR OTHER DESIGN ADVICE, WEB TOOLS, SAFETY INFORMATION, AND OTHER RESOURCES "AS IS" AND WITH ALL FAULTS, AND DISCLAIMS ALL WARRANTIES, EXPRESS AND IMPLIED, INCLUDING WITHOUT LIMITATION ANY IMPLIED WARRANTIES OF MERCHANTABILITY, FITNESS FOR A PARTICULAR PURPOSE OR NON-INFRINGEMENT OF THIRD PARTY INTELLECTUAL PROPERTY RIGHTS.

These resources are intended for skilled developers designing with TI products. You are solely responsible for (1) selecting the appropriate TI products for your application, (2) designing, validating and testing your application, and (3) ensuring your application meets applicable standards, and any other safety, security, regulatory or other requirements.

These resources are subject to change without notice. TI grants you permission to use these resources only for development of an application that uses the TI products described in the resource. Other reproduction and display of these resources is prohibited. No license is granted to any other TI intellectual property right or to any third party intellectual property right. TI disclaims responsibility for, and you will fully indemnify TI and its representatives against, any claims, damages, costs, losses, and liabilities arising out of your use of these resources.

TI's products are provided subject to [TI's Terms of Sale](#) or other applicable terms available either on [ti.com](http://ti.com) or provided in conjunction with such TI products. TI's provision of these resources does not expand or otherwise alter TI's applicable warranties or warranty disclaimers for TI products.

TI objects to and rejects any additional or different terms you may have proposed.

Mailing Address: Texas Instruments, Post Office Box 655303, Dallas, Texas 75265  
Copyright © 2022, Texas Instruments Incorporated