



Features

- Powerful MCU handles efficient network traffic
- 2 x RJ-45 EtherCAT Connectors
- Allows system integrators to retro-fit older automation devices into modern EtherCAT communication structures
- Requires no hardware or software changes to be made to the connected device
- Compatible with all PLCs with EtherCAT support
- Performs complete serial protocol conversion, no PLC function blocks required
- Supports maximum 256 WORD Input and 256 WORD Output Data
- Supports Serial Port interface
 - Supports Modbus RTU (Slave) Protocol
 - Supports RS-232/422/485 Port
 - Supports Maximum Baud Rate 115200 bps
 - Supports Modbus Function Code 03/04/06/16



Introduction

The ECAT-2611 is a proven and trusted protocol converter gateway module that allows you to seamlessly inter-connect devices between EtherCAT and Modbus RTU networks. The ECAT-2611 acts as a Slave on both networks, allowing I/O data to be transferred between the two networks.

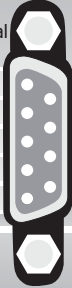
The ECAT-2611 provides a data exchange buffer that allows two different systems (EtherCAT Master and the Modbus RTU Master) exchange data easily and faster for more diverse applications.

Hardware Specifications

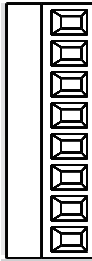
| Network Interface | |
|-------------------------|-----------------------------------------------------------------------------------------------------------------------------------------------------------------------------------------|
| Protocol | EtherCAT |
| RJ-45 Port | RJ-45 x 1 Distance between Stations: Max. 100 m (100BASE-TX) Data Transfer Medium: Ethernet/EtherCAT Cable (Min. CAT 5e) |
| Communication Interface | |
| Protocol | Modbus RTU (Slave) |
| Serial Interface | The RS-232, RS-422 and RS-485 cannot be used simultaneously <ul style="list-style-type: none"> ▶ TxD, RxD, GND ▶ TxD+, TxD-, RxD+, RxD- ▶ Data+, Data- |
| RS-232 | |
| RS-422 | |
| RS-485 | |
| Power | |
| Input Voltage Range | +12 ~ +48 VDC |
| Power Consumption | 0.1 A @ 24 VDC |
| Protection | Power reverse polarity protection |
| Connector | 3-Pin Removable Terminal Block (5.08 mm) |
| Mechanical | |
| Dimensions (H x W x D) | 110 mm x 90 mm x 33 mm |
| Installation | DIN-Rail Mounting |
| Environment | |
| Operating Temperature | -25 ~ +75°C |
| Storage Temperature | -30 ~ +80°C |
| Relative Humidity | 10 ~ 90% RH, Non-condensing |

Pin Assignments

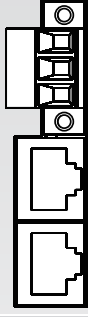
| COM1 (Console Port) | | | | |
|---------------------|--------------|--------------|--------------|----------------|
| Pin Assignment | Terminal No. | Terminal No. | Terminal No. | Pin Assignment |
| -- | 01 | 06 | 06 | -- |
| RxD | 02 | 07 | 07 | -- |
| TxD | 03 | 08 | 08 | -- |
| -- | 04 | 09 | 09 | -- |
| GND | 05 | | | |



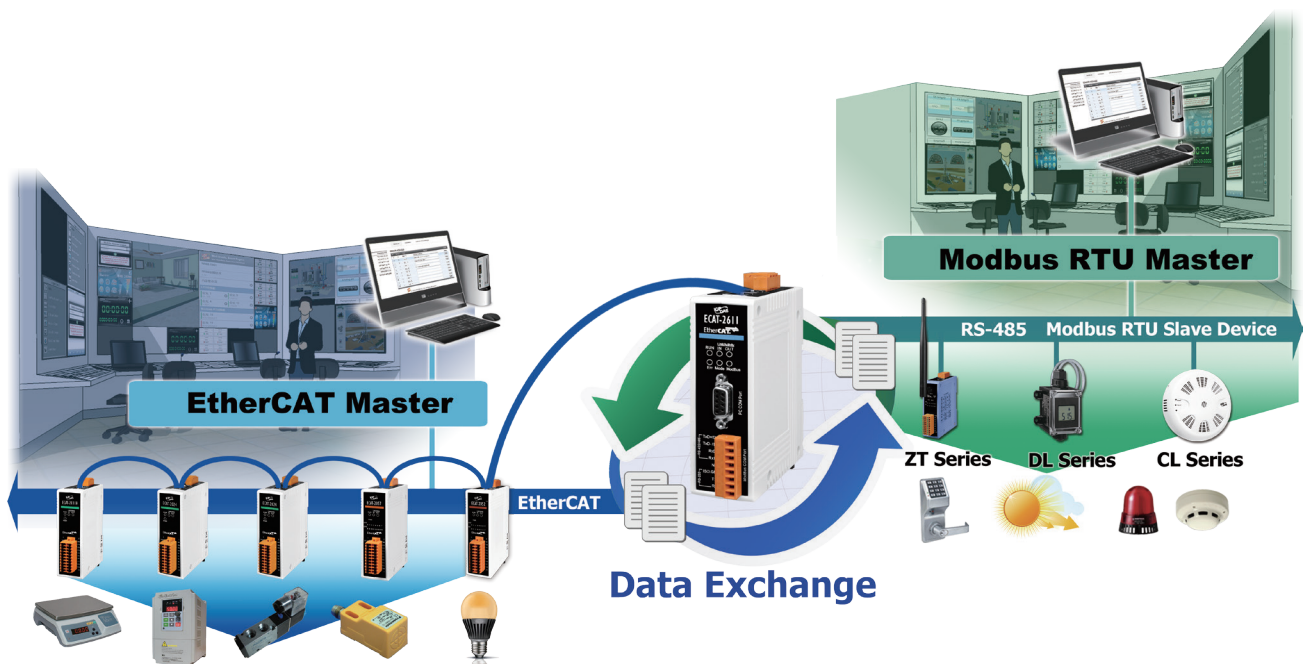
| COM2/COM3 (Modbus RTU) | | |
|------------------------|--------------|----------------|
| Terminal No. | Terminal No. | Pin Assignment |
| COM2 | 1 | TxD+/D+ |
| | 2 | TxD-/D- |
| | 3 | RxD+ |
| | 4 | RxD- |
| COM3 | 5 | N/A |
| | 6 | ISO.GND |
| | 7 | TxD |
| | 8 | RxD |



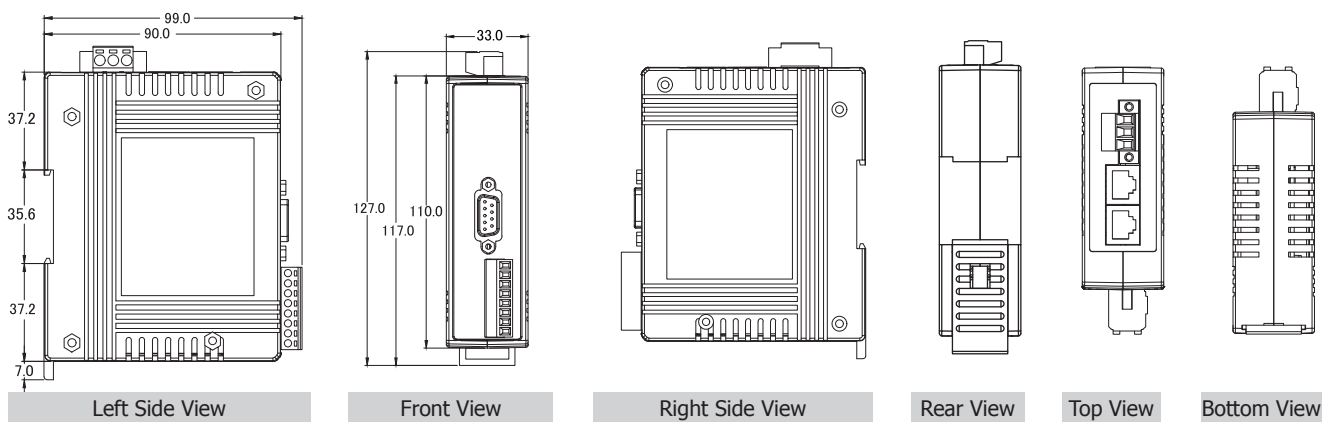
| EtherCAT Interface | |
|--------------------|----------------|
| Terminal No. | Pin Assignment |
| 1 | F.G. |
| 2 | GND(-) |
| 3 | PWR(+) |
| 4 | |
| 5 | IN |
| 6 | |
| 7 | OUT |



Applications



Dimensions (Units: mm)



Ordering Information

| | |
|---------------------|---------------------------------------------------|
| ECAT-2611 CR | EtherCAT Slave to Modbus RTU Slave Gateway (RoHS) |
|---------------------|---------------------------------------------------|