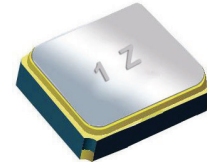


Surface Mount 2017.50MHz SAW Filter

AFS20A15-2017.50-T2



RoHS
Compliant



2.0 x 1.6 x 0.9 mm

FEATURES:

- 2.0 x 1.6 x 0.9 mm low profile SMT package
- Low Insertion loss
- Excellent selectivity with high out-of-band rejection

APPLICATIONS:

- Wireless Communication
- Remote Control
- Cellular Phones

ELECTRICAL SPECIFICATIONS:

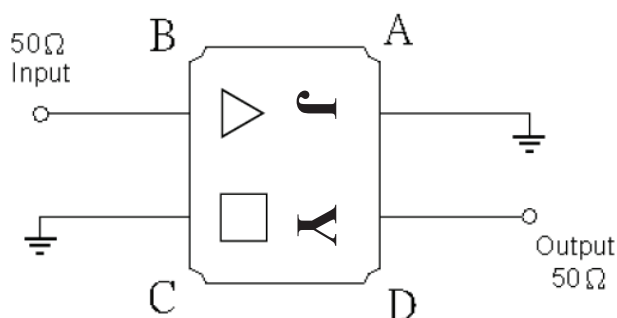
Maximum Ratings

Item	Value
Input Power Level	+10 dBm max.
DC Permissive Voltage	3.0V DC max.
Operating Temperature Range	-30°C to + 85°C
Storage Temperature Range	-40°C to + 95°C

Parameters	Minimum	Typical	Maximum	Units	Notes
Center Frequency (f_c)		2017.50		MHz	
Insertion Loss (IL)		1.25	2.20	dB	(2010 ~ 2025MHz)
3-dB Bandwidth		15.00		MHz	
Amplitude Ripple		0.10	1.00	dB	(2010 ~ 2025MHz)
Worst-Case Input / Output Return Loss		16.54	10.16	dB	(2010 ~ 2025MHz)
Stop-band Attenuation (Referenced to 0.0 dB)	30	33		dB	(DC ~ 1020MHz)
	20	33			(1220 ~ 1570MHz)
	30	34			(1570 ~ 1590MHz)
	20	34			(1590 ~ 1820MHz)
	31	34			(1820 ~ 1850MHz)
	20	27			(1850 ~ 1950MHz)
	19	21			(2085 ~ 2400MHz)
	29	33			(2400 ~ 2430MHz)
	25	32			(2430 ~ 2790MHz)
	30	32			(2790 ~ 2820MHz)
	25	34			(2820 ~ 3000MHz)
	20	32			(3000 ~ 4010MHz)
	25	32			(4010 ~ 4060MHz)
10	22		(4060 ~ 6000MHz)		
Source Impedance (Z_s)		50		Ω	See note # 1
Load Impedance (Z_L)		50		Ω	See note # 1

Note #1: No matching network required for operation into 50 Ω 's

TEST CIRCUIT:

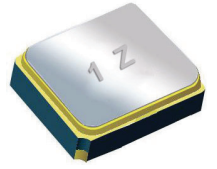


Surface Mount 2017.50MHz SAW Filter

AFS20A15-2017.50-T2

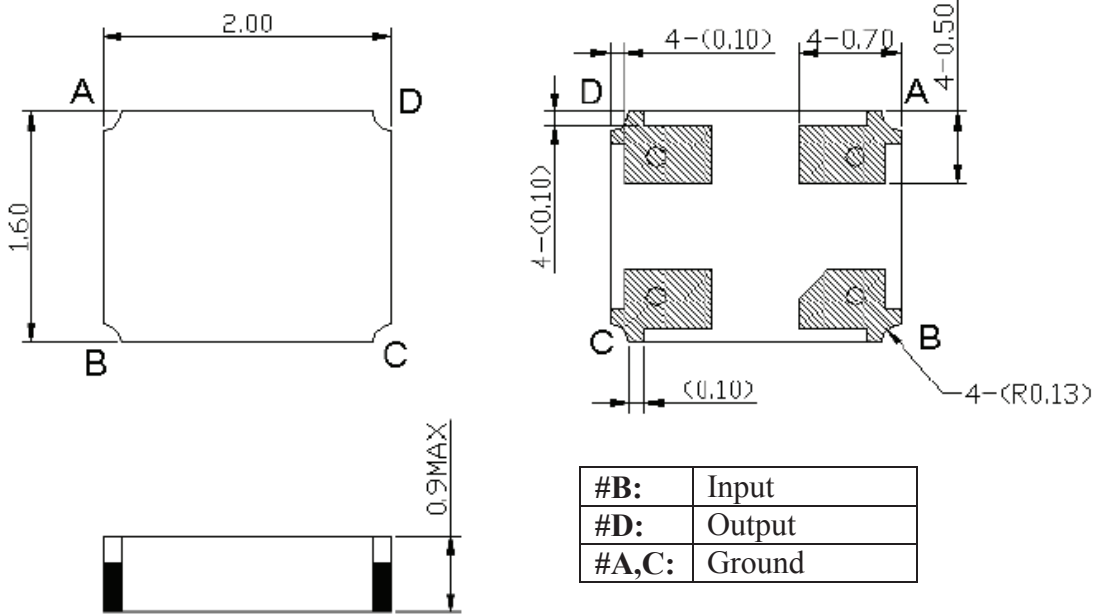


RoHS
Compliant



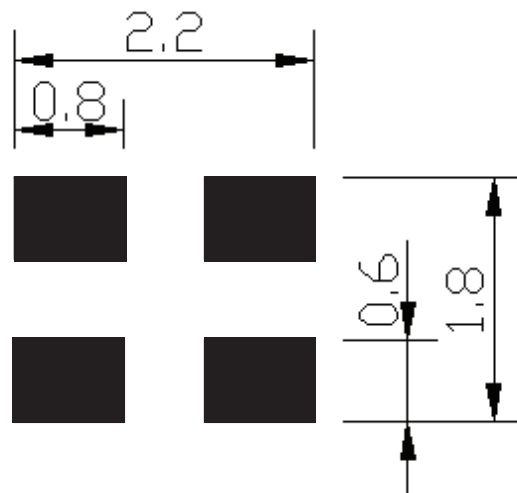
2.0 x 1.6 x 0.9 mm

OUTLINE DIMENSIONS:



*All Dimensions are in mm

Recommended Land Pattern:

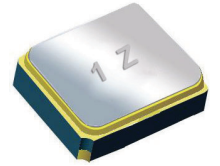


Surface Mount 2017.50MHz SAW Filter

AFS20A15-2017.50-T2



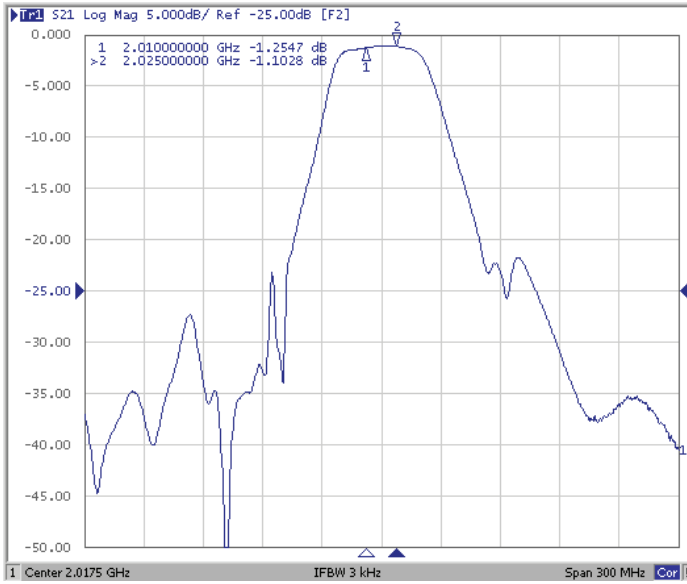
RoHS
Compliant



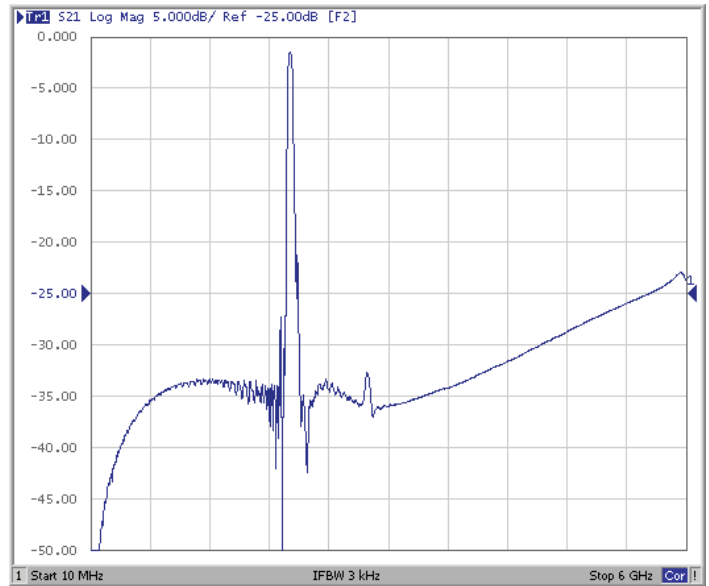
2.0 x 1.6 x 0.9 mm

FREQUENCY CHARACTERISTICS:

Filter Frequency Response (Narrowband)

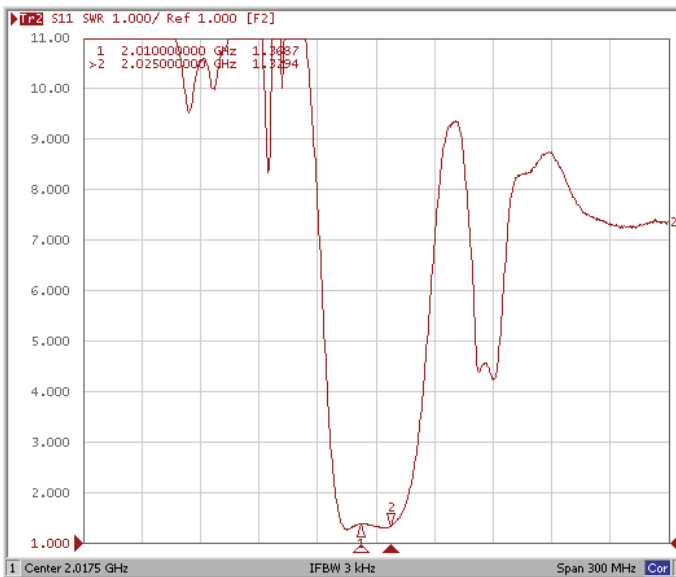


Filter Frequency Response (Wideband)

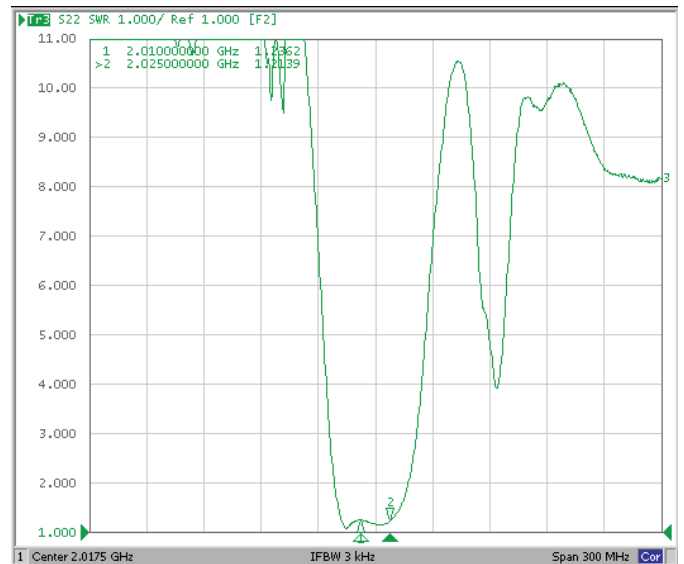


REFLECTION FUNCTIONS:

S11



S22

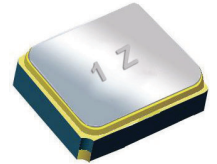


Surface Mount 2017.50MHz SAW Filter

AFS20A15-2017.50-T2

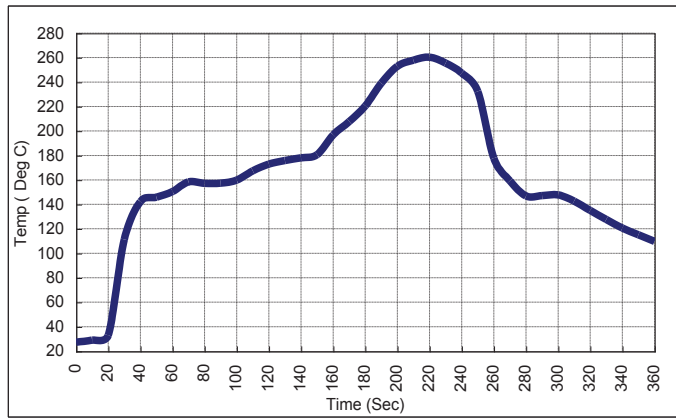


RoHS
Compliant



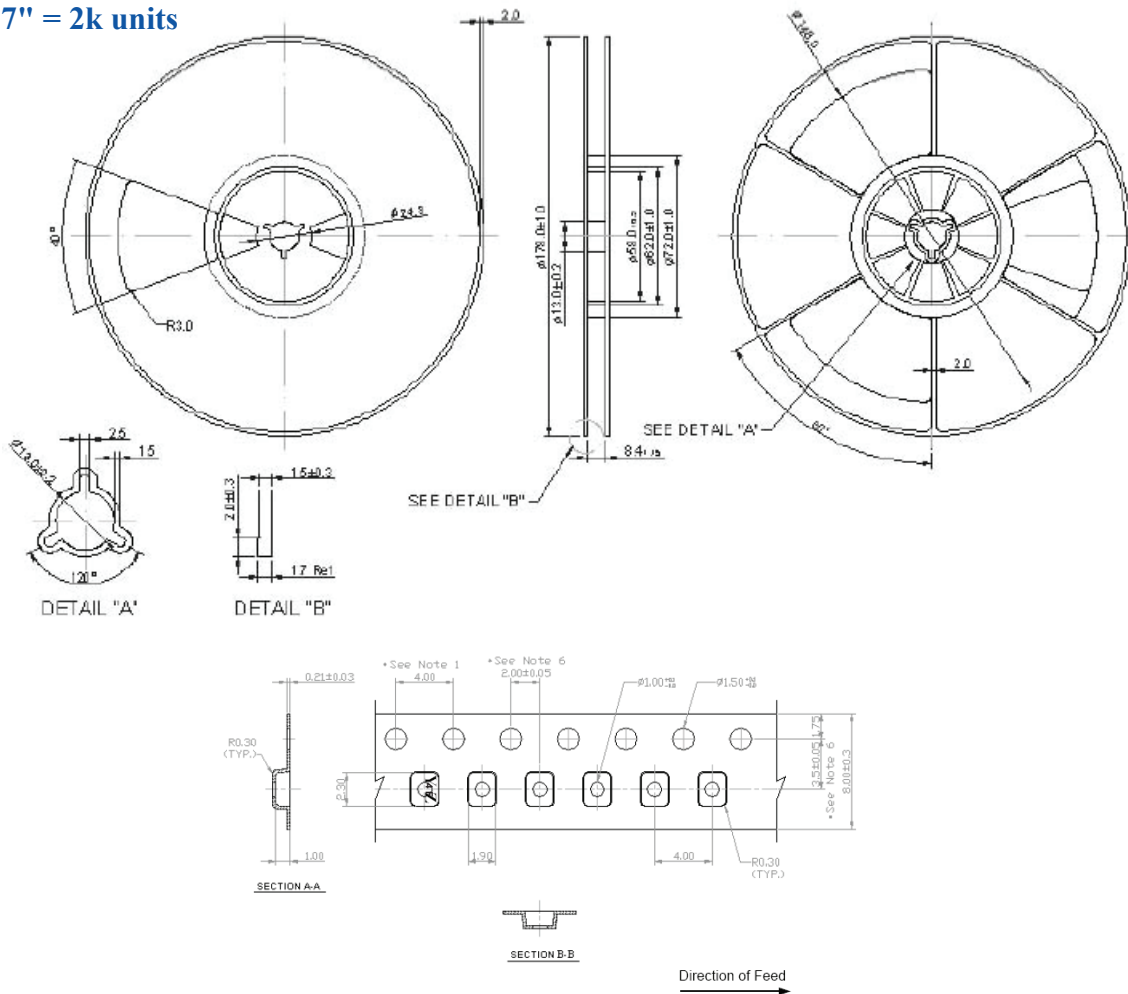
2.0 x 1.6 x 0.9 mm

REFLOW PROFILE:



PACKAGING: 2000 Units/Reel

Reel Count : 7" = 2k units



ATTENTION: Abracon Corporation's products are COTS – Commercial-Off-The-Shelf products; suitable for Commercial, Industrial and, where designated, Automotive Applications. Abracon's products are not specifically designed for Military, Aviation, Aerospace, Life-dependant Medical applications or any application requiring high reliability where component failure could result in loss of life and/or property. For applications requiring high reliability and/or presenting an extreme operating environment, written consent and authorization from Abracon Corporation is required. Please contact Abracon Corporation for more information.

ABRACON IS
ISO 9001:2008
CERTIFIED



Visit www.abracon.com for Terms & Conditions of Sale
30332 Esperanza, Rancho Santa Margarita, California 92688
tel 949-546-8000 | fax 949-546-8001 | www.abracon.com

Revised: 07.24.12