



LIGHTHAWK® DUAL TECHNOLOGY WALL SWITCH SENSOR

WALL SWITCH OCCUPANCY SENSORS

FEATURES

- Digital dual technology: Ultrasonic and Passive Infrared
- IntelliDAPT® self-adaptive technology; no manual adjustment required
- Single and dual relay models for on/off switching
- Occupancy (auto-ON) and Vacancy (manual-ON) operating modes
- 1,000 square-foot, 180° coverage area
- RhinoTuff lens
- 120/277VAC, 347VAC and 24VDC models
- Zero Arc Point Switching



RELATED PRODUCTS

- Occupancy Sensor Accessories
- LightHAWK Dimming Dual Tech
- LightHAWK Dimming PIR
- LightHAWK PIR
- LightHAWK US
- LightHAWK Night Light

SPECIFICATIONS

CONSTRUCTION

- Casing - high - impact injection - molded plastic (UL-94-5V Impact-resistance lens)
- Color-coded leads are 6" (152.4mm) long
- Wrap around galvanized steel mounting strap
- 2.9 oz. (82.21g)
- White; Ivory; Light Almond; Gray; Black
- Dual-element pyrometer and 12-element cylindrical RhinoTuff lens

MOUNTING

- Single-gang NEMA-style switch box (standard switch box)
- Decorator-style wall plate sold separately

ELECTRICAL

- 40kHz output
- Natural light override range: 10-500 foot-candles
- 120/277VAC; 50/60Hz
- 347VAC; 50/60Hz
- 24VDC (requires power pack - sold separately)
- 120VAC: 800W Incandescent/ Electronic Ballast/ LED Driver, 1,000W Magnetic Ballast, 1/8 HP Motor
- 277VAC: 1,800W Magnetic Ballast/ Electronic Ballast/ LED Driver: 1/8 HP Motor

ELECTRICAL (CONTINUED)

- 347VAC: 1,500W Magnetic Ballast/ Electronic Ballast/ LED Driver: 1/8 HP Motor

OPERATIONS

- IntelliDAPT
 - Self-adjusting timer
 - Self-adjusting Ultrasonic (US) and passive infrared (PIR) sensitivity
 - Automatic false-on/ false-off corrections
 - No manual adjustments required
- Coverage
 - 1,000 square-foot, 180° coverage area
- Timer Setting
 - Auto mode: 4-30 minutes; self-adjusts based on occupancy
 - Fixed mode: 4, 8, 15, and 30 minutes
 - Test mode: 5 seconds

OPERATING ENVIRONMENT

- Indoor use only
- Operating temperature: 32° to 104°F (0° to 40°C)
- Relative humidity (non-condensing): 0% to 95%

CERTIFICATIONS

- UL and cUL listed
- This product qualifies as both (i) a "domestic construction material" per FAR §52.225-9 Buy American-Construction Materials and a "(COTS) item" per FAR §2.101 and (ii) a "designated country construction material" per FAR 52.225-11 Buy American-Construction Materials under Trade Agreements effective 5/27/2020. See [Buy American Solutions](#).
- This product qualifies as "designated country construction material" per FAR 52.225-11 Buy American-Construction Materials under Trade Agreements effective 5/27/2020. See [Buy American Solutions](#).

WARRANTY

- 5 year warranty
- See [HCS Standard Warranty](#) for additional information



LIGHTHAWK® DUAL TECHNOLOGY WALL SWITCH SENSOR

WALL SWITCH OCCUPANCY SENSORS

ORDERING GUIDE

Example: LHMTS1-G-WH-U

CATALOG #

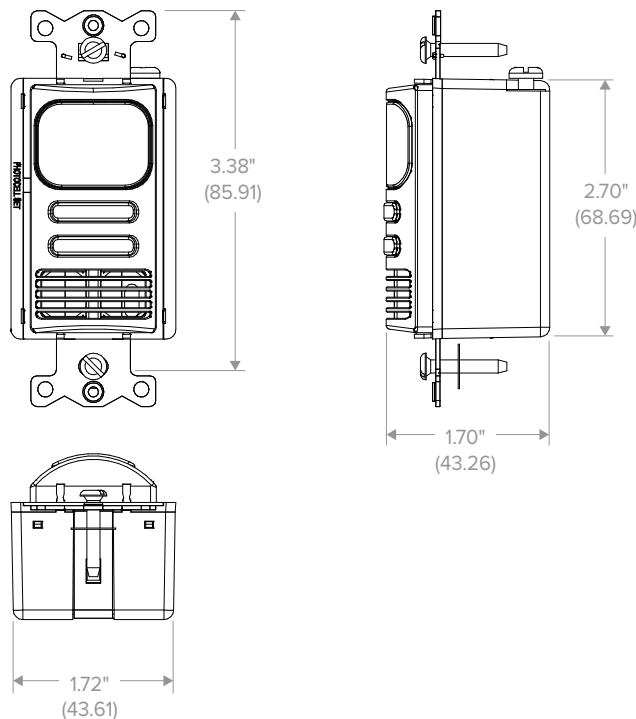
| Series | | Buttons | Wiring | | Color | | Mode | | BAA/TAA* | |
|---------|--|------------------|--------|--------------------------|-------|--------------|-------|--------------------------------------|----------|------------------|
| LHMTS | Light-HAWK Dual Technology Single Relay | 0 0 ¹ | G | Ground (120/277V) | WH | White | Blank | Switchable Vacancy or Occupancy Mode | Blank | Standard Product |
| LHDCMTD | Light-HAWK Dual Technology Dual Relay | 1 1 | N | Neutral (120/277V) | IV | Ivory | M | Vacancy Mode Only | U | BAA |
| LHMTD | Light-HAWK Dual Technology with (2) Low Voltage Outputs (24V Only) | 2 2 ² | 24V | Low Voltage ³ | LA | Light Almond | | | T | TAA |
| | | | G347 | Ground (347V) | GY | Gray | | | | |
| | | | N347 | Neutral (347V) | BK | Black | | | | |

Notes:

- 1 No button version not available with -M option
- 2 Two button option only available with LHDC model
- 3 Low voltage sensors require a power pack that is sold separately

| *Buy American Solutions | |
|-------------------------|-----------------------|
| BAA FAR §52.225-9 | TAA FAR §52.225-11 |
| LHMTS1-G-WH | LHMTS1-G-WH |
| | LHMTS1-N-WH |
| | LHMTS1-24V-WH |
| | LHDCMTD2-G-WH |
| | LHMTD2-24V-WH |

DIMENSIONS

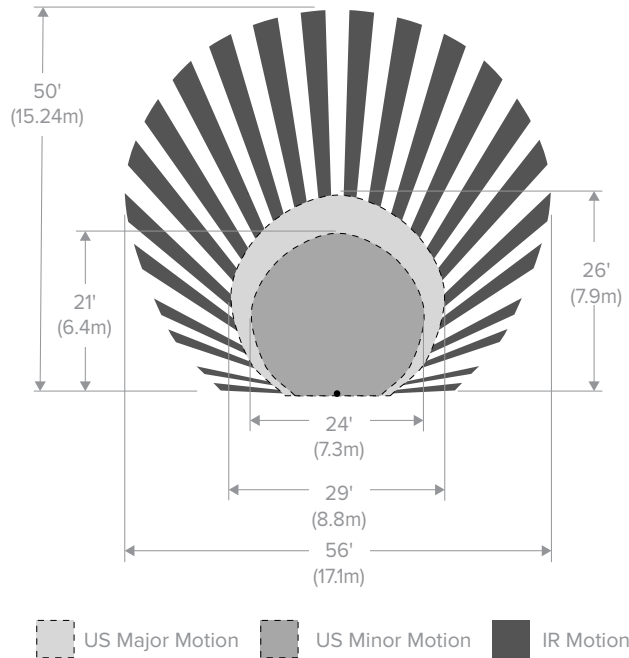


LIGHTHAWK® DUAL TECHNOLOGY WALL SWITCH SENSOR

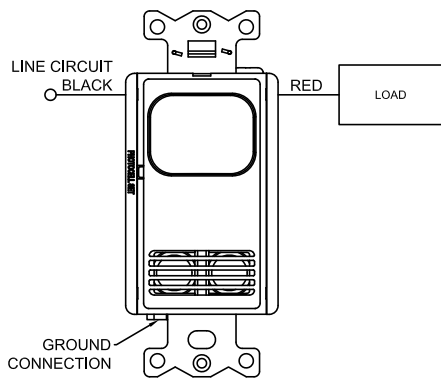
WALL SWITCH OCCUPANCY SENSORS

ADDITIONAL INFORMATION (CONTINUED)

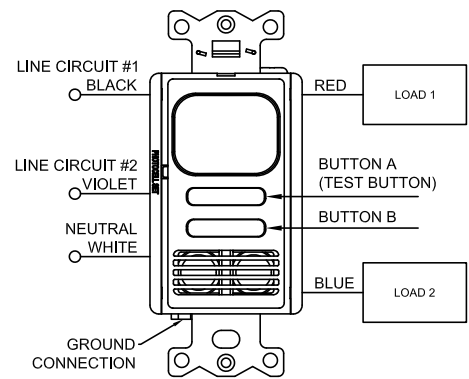
Coverage Pattern



Wiring Diagrams



SINGLE LOAD WIRING



DUAL LOAD WIRING

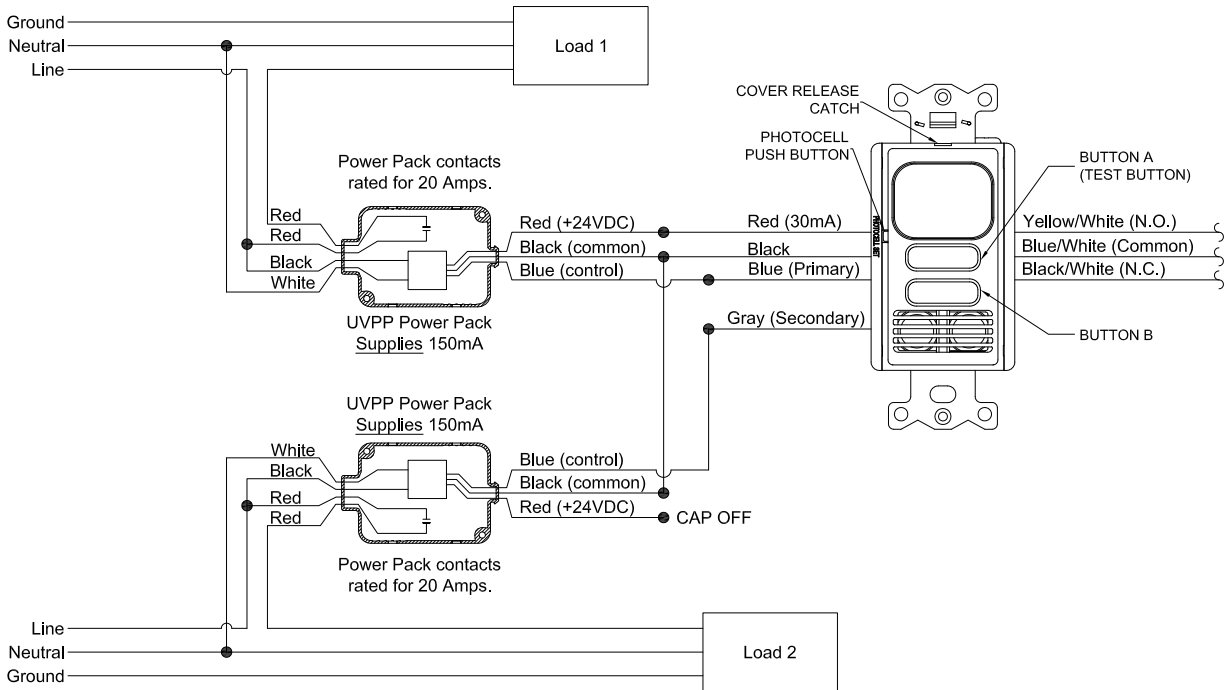


LIGHTHAWK® DUAL TECHNOLOGY WALL SWITCH SENSOR

WALL SWITCH OCCUPANCY SENSORS

ADDITIONAL INFORMATION (CONTINUED)

Wiring Diagrams



Low Voltage Dual Level Control with Two Power Packs