

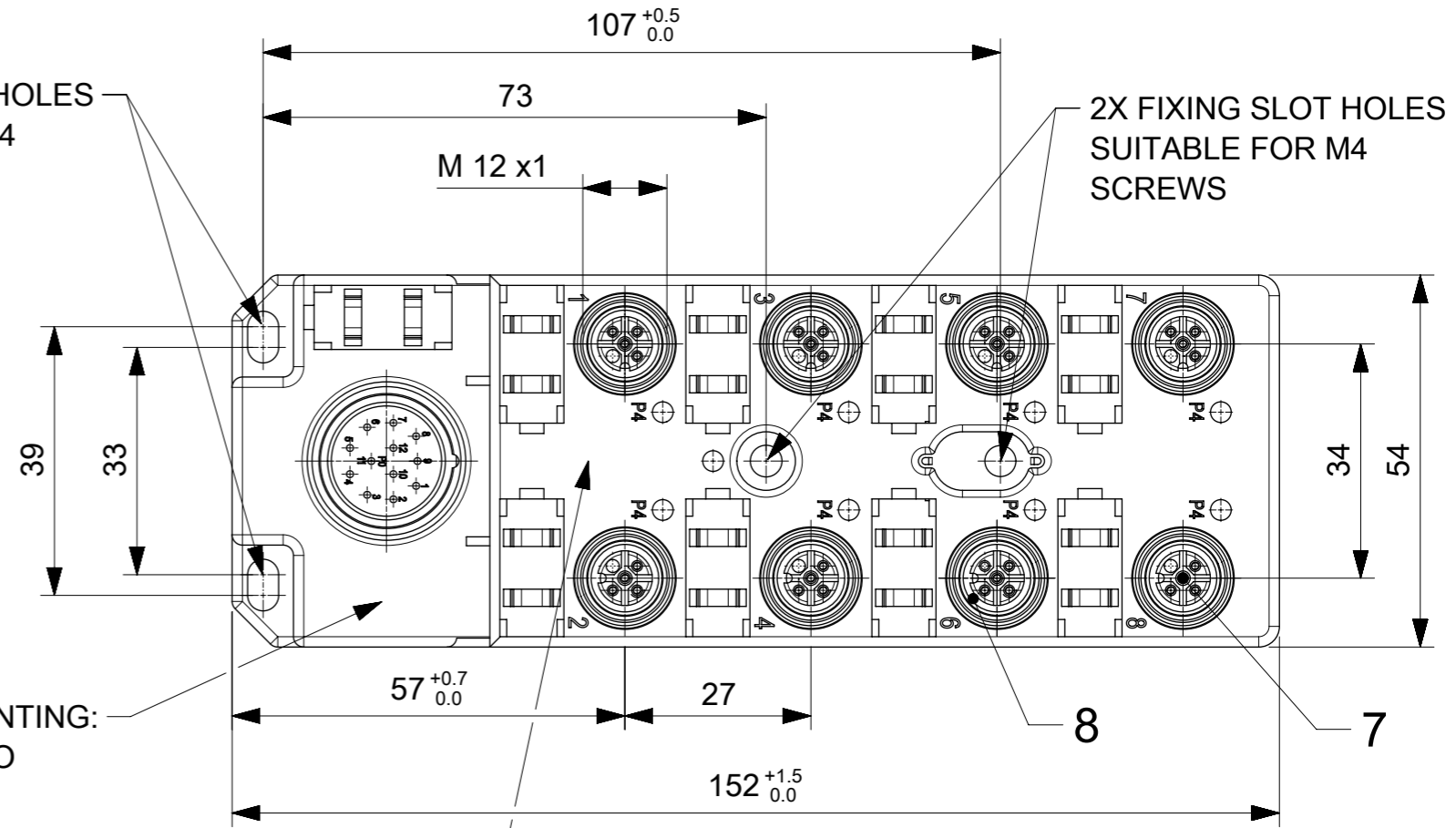
TABLE 1

MOLEX P/N	ENG. NO.	LED
1202480059	BTB8010-FBC	NO
1202480060	BTB801P-FBC	YES
1202480130	BTB801N-FBC	YES

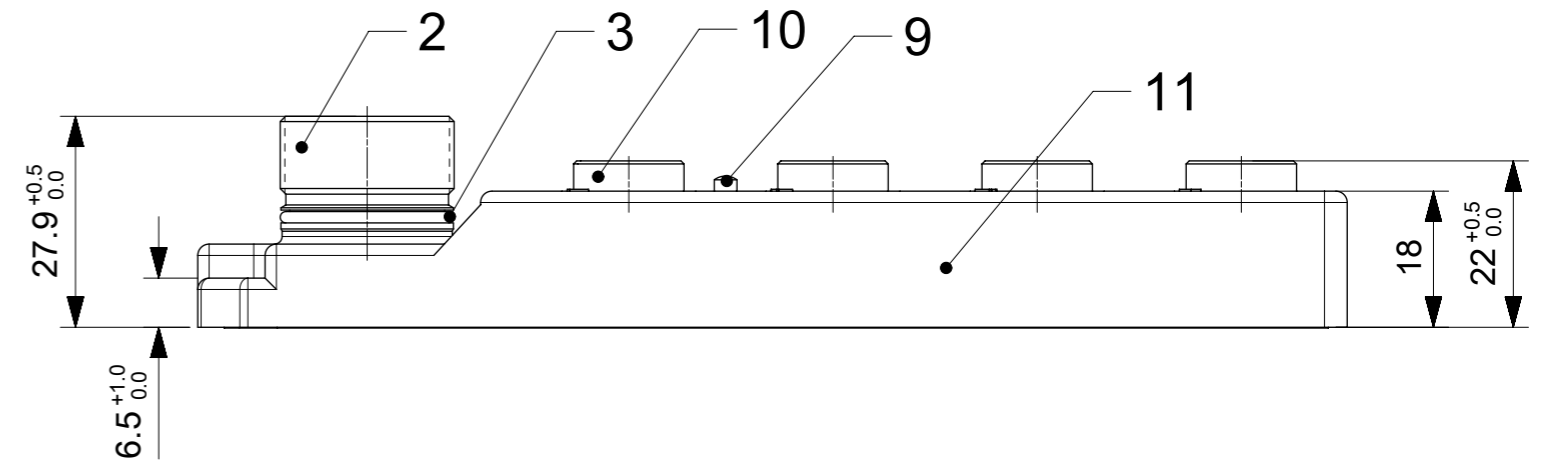
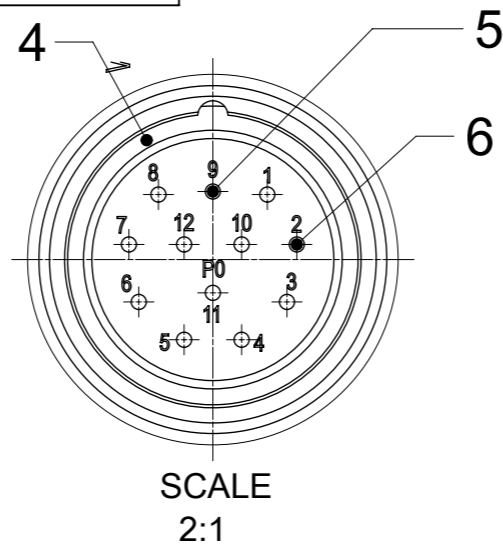
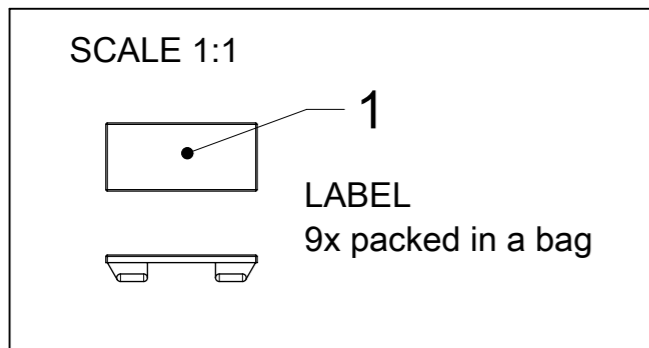
TABLE 2 BILL OF MATERIAL

ITEM	DESCRIPTION	MATERIAL	FINISH
1	LABEL	ABS	WHITE
2	SHELL	BRASS	NICKEL PLATED
3	O-RING	NBR	BLACK
4	O-RING	NBR	BLACK
5	CONTACT	BRASS	GOLD OVER NICKEL
6	CONTACT	BRASS	GOLD OVER NICKEL
7	CONTACT	BRONZE	GOLD OVER NICKEL
8	O-RING	FPM	RED
9	LED	NO LED = PA	BLACK
		WITH LED = PA	TRANSPARENT
10	SHELL	BRASS	NICKEL PLATED
11	HOUSING	PBT	BLACK

2X FIXING SLOT HOLES
SUITABLE FOR M4
SCREWS



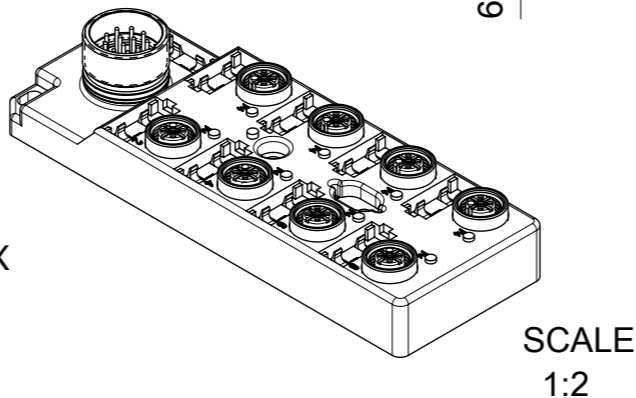
LASER PRINTING:
PN: 120248XXXX
ENG.: BTB801X-FBC
PO: XXXXXXXXX



GENERAL CHARACTERISTICS:

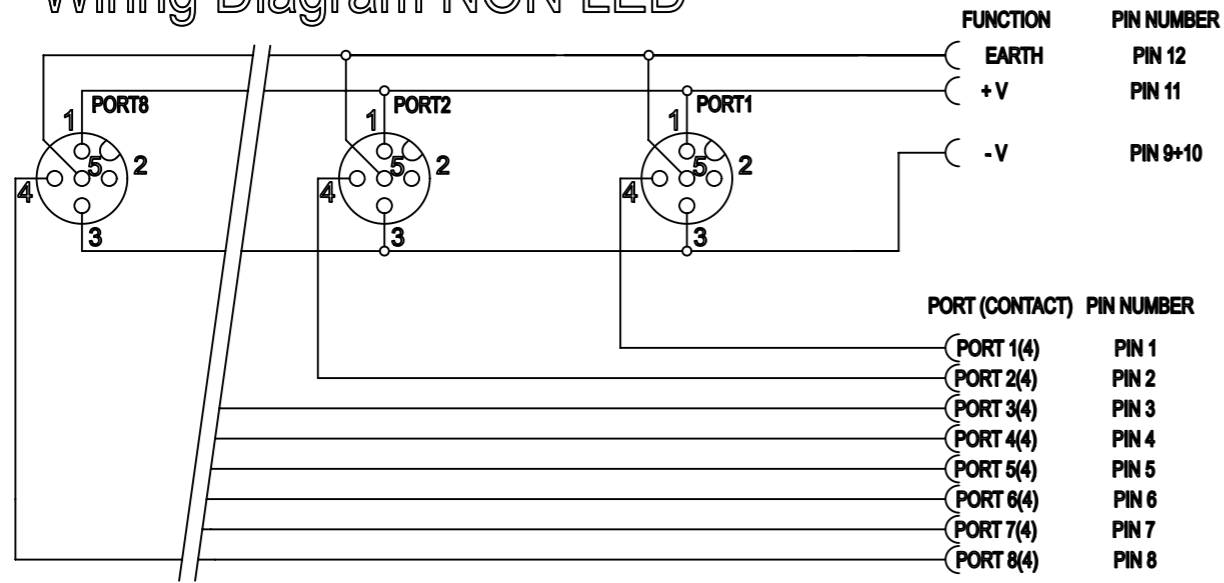
ELECTRICAL AND MECHANICAL DATA ACC. TO IEC 61076-2-101

NOMINAL VOLTAGE: 10-30 V DC
 AMPERE RATING: 4 A PER PORT / 12 A MAX
 AMPERE RATING WITH UL REGISTRATION: 3 A PER PORT / 9 A MAX
 IP DEGREE OF PROTECTION: IP 67
 TEMPERATURE RANGE: -25°C to + 85°C

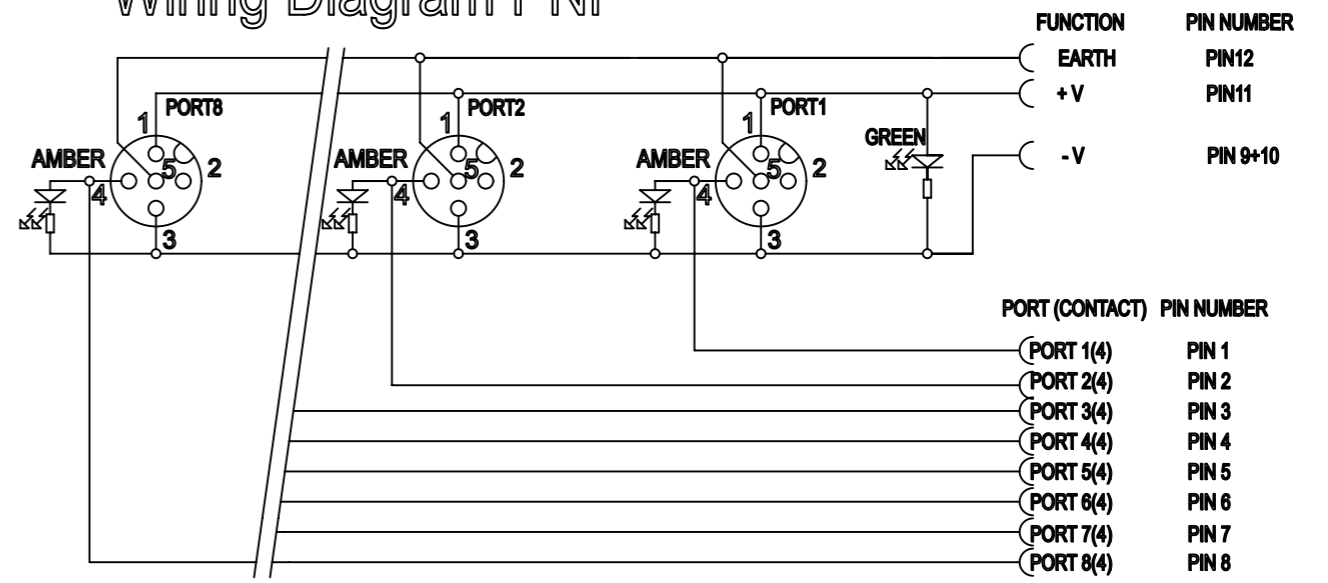


SYMBOLS		THIS DRAWING CONTAINS INFORMATION THAT IS PROPRIETARY TO MOLEX ELECTRONIC TECHNOLOGIES, LLC AND SHOULD NOT BE USED WITHOUT WRITTEN PERMISSION	
DIMENSION UNITS	SCALE	CURRENT REV DESC: LASER PRINT UPDATE	
mm	1:1	molex MPIS M12 PNP NPN NOS 4P 8PT 12P M23 BK SINGLE	
GENERAL TOLERANCES (UNLESS SPECIFIED)			
ANGULAR TOL	± °	EC NO: 606042	2018/08/30
4 PLACES	±	DRWN: SSM	2018/10/18
3 PLACES	±	CHK'D: RSILLER	2018/10/18
2 PLACES	±	APPR: RSILLER	2018/10/18
1 PLACE	±	INITIAL REVISION:	
0 PLACES	± 0.25	DRWN: AAHLERS	2015/04/02
		APPR: RSILLER	2015/05/20
DRAFT WHERE APPLICABLE MUST REMAIN WITHIN DIMENSIONS		THIRD ANGLE PROJECTION	DRAWING
		A3-SIZE	SERIES
		120248	MATERIAL NUMBER
		SEE TABLE 1	CUSTOMER
		GENERAL MARKET	SHEET NUMBER
			1 OF 2

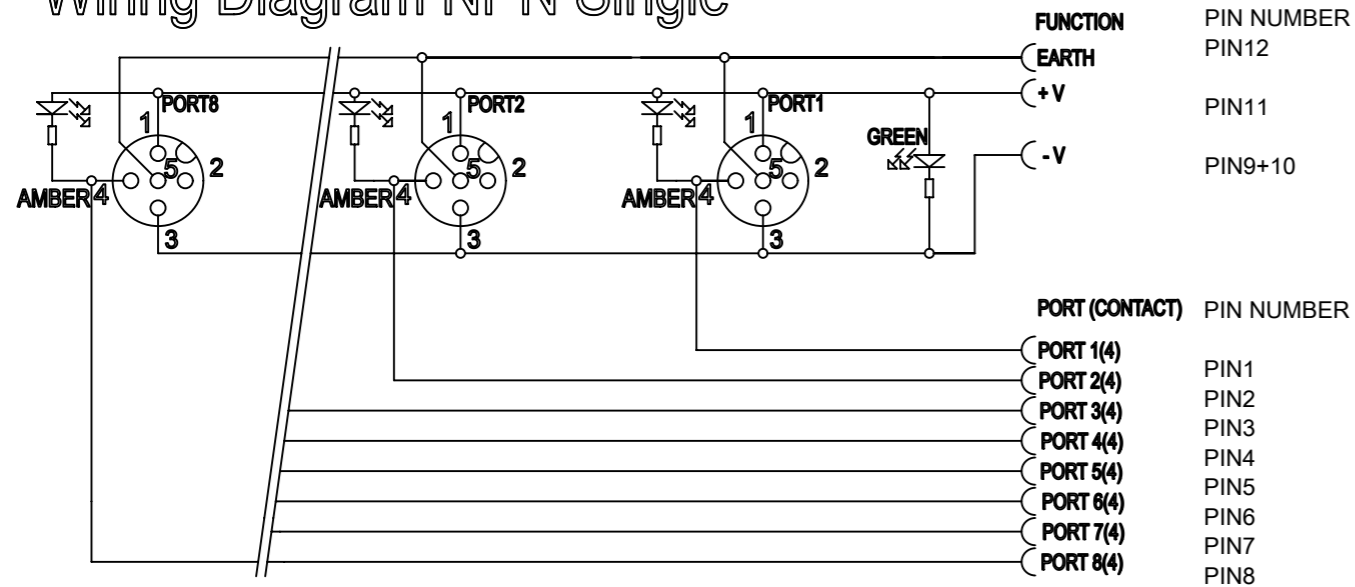
Wiring Diagram NON LED



Wiring Diagram PNP



Wiring Diagram NPN Single



SYMBOLS	THIS DRAWING CONTAINS INFORMATION THAT IS PROPRIETARY TO MOLEX ELECTRONIC TECHNOLOGIES, LLC AND SHOULD NOT BE USED WITHOUT WRITTEN PERMISSION		CURRENT REV DESC: LASER PRINT UPDATE		
	DIMENSION UNITS	SCALE			
▽ = 0	mm	1:1			
▽ = 0	GENERAL TOLERANCES (UNLESS SPECIFIED)				
▽ = 0	ANGULAR TOL	±			
▽ = 0	4 PLACES	±			
▽ = 0	3 PLACES	±			
▽ = 0	2 PLACES	±			
▽ = 0	1 PLACE	±			
▽ = 0	0 PLACES	± 0.25			
■ = 0	DRAFT WHERE APPLICABLE MUST REMAIN WITHIN DIMENSIONS		THIRD ANGLE PROJECTION	DRAWING	SERIES
▽ = 0				A3-SIZE	120248
			MATERIAL NUMBER		CUSTOMER
			1202480059		GENERAL MARKET
			DOCUMENT NUMBER		DOC TYPE DOC PART REVISION
			1202480059		PSD 000 B
			SHEET NUMBER		2 OF 2