

Input / Output Modules

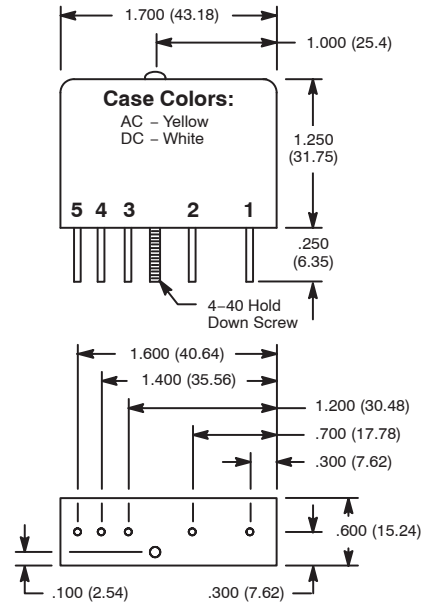
RIM Series



Input Digital Modules D28

Features

- 4KV Optical Isolation
- Industry Standard Packaging
- Plugs into Standard I/O Module Mounting Board
- Industry Standard Color Code (AC=Yellow, DC=White)
- AC & DC Types



INPUT SPECIFICATIONS

NTE Type No.	Nominal Input Voltage	Input Voltage		Input Control Max mA	Drop Out Current	Allowable Input For NO Output	Diag No.
		Min	Max				
RIM-IAC5	120 VAC	90 Vrms	140 Vrms	10	2.5mA	3.0mA	D28A
RIM-IAC15	120 VAC	90 Vrms	140 Vrms	10	2.5mA	3.0mA	D28A
RIM-IAC5A	240 VAC	180 Vrms	280 Vrms	10	1.5mA	2.0mA	D28A
RIM-IAC15A	240 VAC	180 Vrms	280 Vrms	10	1.5mA	2.0mA	D28A
RIM-IAC24A	240 VAC	180 Vrms	280 Vrms	10	1.5mA	2.0mA	D28A
RIM-IDC5	5 - 28 VDC	10 VDC	36 VDC	34	1.0mA	1.5mA	D28B
RIM-IDC24	5 - 28 VDC	3.3 VDC	32 VDC	34	1.0mA	1.5mA	D28B

OUTPUT SPECIFICATIONS

NTE Type No.	Nom. Logic Supply Vltg.	Logic Supply Vltg.		Max Logic Supply Current	Maximum Output		Max Output Leakage Curr.	Max Output Vltg. Drop	Diag No.
		Min	Max		Volts	Current			
RIM-IAC5	5.0 VDC	2.75 VDC	6 VDC	16mA DC	30 VDC	50mA ADC	10µA DC	200mV DC	D28A
RIM-IAC15	15 VDC	12 VDC	18 VDC	16mA DC	30 VDC	50mA ADC	10µA DC	200mV DC	D28A
RIM-IAC5A	5 VDC	2.75 VDC	6 VDC	16mA DC	30 VDC	50mA ADC	10µA DC	200mV DC	D28A
RIM-IAC15A	15 VDC	12 VDC	18 VDC	16mA DC	30 VDC	50mA ADC	10µA DC	200mV DC	D28A
RIM-IAC24A	24 VDC	20 VDC	30 VDC	16mA DC	30 VDC	50mA ADC	10µA DC	200mV DC	D28A
RIM-IDC5	5 VDC	2.75 VDC	6 VDC	16mA DC	30 VDC	50mA ADC	10µA DC	200mV DC	D28B
RIM-IDC24	24 VDC	20 VDC	30 VDC	16mA DC	30 VDC	50mA ADC	10µA DC	200mV DC	D28B

Electrical Specifications

Environmental

Operating: -30°C to +80°C

Storage: -40° to +100°C

Operational Characteristics

Max Turn-On Time: 20ms (AC Modules),
1ms (DC Modules)

Max Turn-Off Time: 30ms (AC Modules),
1ms (DC Modules)

Insulation Characteristics

Input to Output Isolation Voltage: 4000 VRMS

ACCESSORIES

MOUNTING STYLES	DESCRIPTION	NTE TYPE NO.
DIN RAIL MOUNT	2-POSITION SOCKET	RLY9142

Diagram A - AC Input

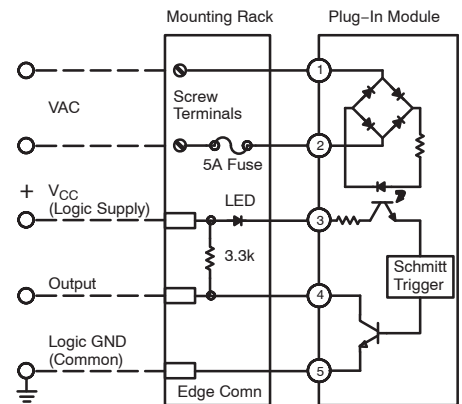


Diagram B - DC Input

