

Push Button and Emergency Stop Safety Cover Device

TDS No. LOTO-72
Effective Date: 10/16/2017

Description:

Design

- Compatible with standard 16, 22, and 30 mm push buttons
- Made of rugged polycarbonate
- Permanently install the base under the button, then lock the removable cover in place to prevent actuation of the button
- Accepts lock shackles up to 9/32-inches or 7mm in diameter.

Material

- Base and cover: polycarbonate
- Latch: stainless steel
- Cover color: transparent with red tint
- Base color: clear

Temperature Range

The following temperature range is generally acceptable for polycarbonate. This range should not be used as a specification. The product should be tested under specific operating conditions. -20° C to 80° C (4° F to 176° F).

Chemical Resistance

Chemical Compatibility: Polycarbonate is generally compatible with the following chemicals. This list should not be used as a specification. This product should be tested under specific operating conditions. If a temperature is specified, the chemical may have a more severe effect if above the specified temperature.

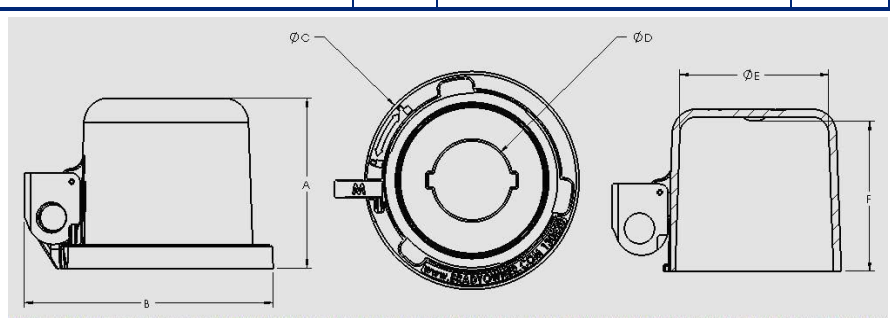
Dimensions (measurements in mm)

Cat No.	134018	130819	130820	130821	130822	130823	130824
A	49.6	79.6	49.6	54.6	N/A	N/A	N/A
B	73.8	73.8	73.8	83.8	N/A	N/A	N/A
C	63.5	63.5	63.5	73.5	63.5	63.5	73.5
D	17	17	23	31	17	23	31
E	44.2	42.1	44.2	53.9	N/A	N/A	N/A
F	43.8	74.4	43.8	48.8	N/A	N/A	N/A

A = Height diameter
B = Length diameter
C = Base Diameter height
D = Button stem clearance
E = Internal clearance
F = Internal clearance



Chemical	°C	Chemical	°C
Lubricants	22	Hydrochloric Acid 20%	22
Gasoline	48	Sodium Hydroxide 20%	48
Methanol	22	Isopropyl Alcohol	48
Water (Including Seawater)	48	Acetic Acid 20%	22
Sulfuric Acid 10% - 75%	22	Chlorine Bleach 15%	



Details:

Trademarks:

Note: All values shown are averages and should not be used for specification purposes.

Test data and test results contained in this document are for general information only and shall not be relied upon by Brady customers for designs and specifications, or be relied on as meeting specified performance criteria. Customers desiring to develop specifications or performance criteria for specific product applications should contact Brady for further information.

Product compliance information is based upon information provided by suppliers of the raw materials used by Brady to manufacture this product or based on results of testing using recognized analytical methods performed by a third party, independent laboratory. As such, Brady makes no independent representations or warranties, express or implied, and assumes no liability in connection with the use of this information.

WARRANTY

Brady products are sold with the understanding that the buyers will test them in actual use and determine for themselves their adaptability to their intended uses. Brady warrants to the buyers that its products are free from defects in material and workmanship, but limits its obligation under this warranty to replacement of the product shown to Brady's satisfaction to have been defective at the time Brady sold it. This warranty does not extend to any persons obtaining the product from the buyers. This warranty is in lieu of any other warranty, express or implied, including, but not limited to, any implied warranty of merchantability or fitness for a particular purpose, and of any other obligations or liability on Brady's part. Under no circumstances will Brady be liable for any loss, damage, expense, or consequential damages of any kind arising in connection with the use, or inability to use, Brady's products.

Copyright 2019 Brady Worldwide, Inc. | All Rights Reserved
Material may not be reproduced or distributed in any form without written permission.

Brady North America | 6555 West Good Hope Road | Milwaukee, Wisconsin 53223 | USA | Tel: 414-358-6600 | Fax: 414-228-5770