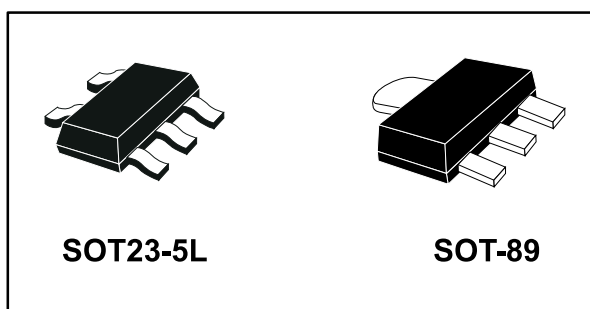


## Ultra low-drop voltage regulators with inhibit

Datasheet - production data



## Features

- Ultra low dropout voltage (0.17 V typ. at 100 mA load, 7 mV typ. at 1 mA load)
- Very low quiescent current (80  $\mu$ A typ. at no load in on mode; max 1  $\mu$ A in off mode)
- Guaranteed output current up to 100 mA
- Logic-controlled electronic shutdown
- Output voltage of 2.5; 3.0; 3.3; 5.0 V
- Internal current and thermal limit
- $\pm 0.75\%$  tolerance output voltage available (A version)
- Output low noise voltage 160  $\mu$ VRMS
- Temperature range: -40 to 125  $^{\circ}$ C
- Small package SOT23-5L and SOT-89
- Fast dynamic response to line and load changes

## Description

The LD2981 is a 100 mA fixed-output voltage regulator. The low-drop voltage and the ultra low quiescent current make them suitable for low noise, low power applications and in battery powered systems.

The quiescent current in sleep mode is less than 1  $\mu$ A when INHIBIT pin is pulled low. Shutdown logic control function is available on pin n $^{\circ}$  3 (TTL compatible). This means that when the device is used as local regulator, it is possible to put a part of the board in standby, decreasing the total power consumption. The LD2981 is designed to work with low ESR ceramic capacitor. Typical applications are in cellular phone, palmtop/laptop computer, personal digital assistant (PDA), personal stereo, camcorder and camera.

---

**Contents**

|           |  |           |
|-----------|--|-----------|
| <b>1</b>  | <b>Diagram</b> .....                             | <b>5</b>  |
| <b>2</b>  | <b>Pin configuration</b> .....                   | <b>6</b>  |
| <b>3</b>  | <b>Maximum ratings</b> .....                     | <b>7</b>  |
| <b>4</b>  | <b>Typical application</b> .....                 | <b>8</b>  |
| <b>5</b>  | <b>Electrical characteristics</b> .....          | <b>9</b>  |
| <b>6</b>  | <b>Typical performance characteristics</b> ..... | <b>12</b> |
| <b>7</b>  | <b>Application notes</b> .....                   | <b>16</b> |
|           | 7.1 External capacitors.....                     | 16        |
|           | 7.2 Input capacitor.....                         | 16        |
|           | 7.3 Output capacitor.....                        | 16        |
|           | 7.4 Important.....                               | 16        |
|           | 7.5 Inhibit input operation.....                 | 16        |
|           | 7.6 Reverse current.....                         | 17        |
| <b>8</b>  | <b>Package information</b> .....                 | <b>18</b> |
|           | 8.1 SOT-89 package information.....              | 18        |
|           | 8.2 SOT-89 packing information.....              | 21        |
|           | 8.3 SOT23-5L package information.....            | 22        |
|           | 8.4 SOT23-5L packing information.....            | 24        |
| <b>9</b>  | <b>Ordering information</b> .....                | <b>25</b> |
| <b>10</b> | <b>Revision history</b> .....                    | <b>26</b> |

---

## List of tables

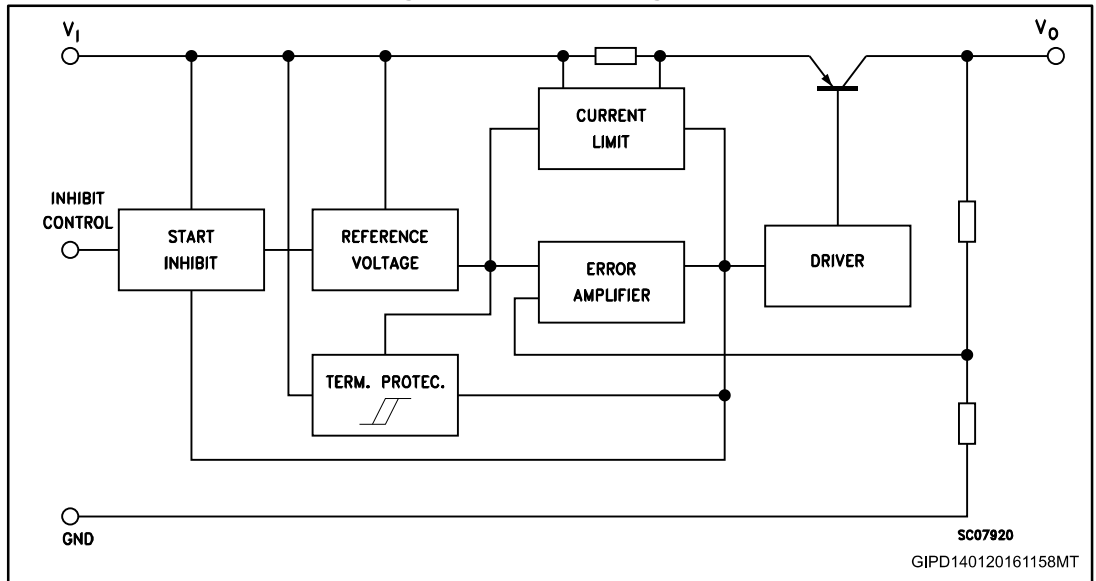
|  |    |
|--|----|
| Table 1: Pin description .....                         | 6  |
| Table 2: Thermal data.....                             | 6  |
| Table 3: Absolute maximum ratings .....                | 7  |
| Table 4: Electrical characteristics for LD2981AB ..... | 9  |
| Table 5: Electrical characteristics for LD2981C .....  | 10 |
| Table 6: SOT-89 mechanical data .....                  | 19 |
| Table 7: SOT-89 carrier tape mechanical data.....      | 21 |
| Table 8: SOT23-5L package mechanical data .....        | 22 |
| Table 9: SOT23-5L tape and reel mechanical data.....   | 24 |
| Table 10: Order codes .....                            | 25 |
| Table 11: Document revision history .....              | 26 |

## List of figures

|  |    |
|--|----|
| Figure 1: Schematic diagram .....                          | 5  |
| Figure 2: Pin connections (top view).....                  | 6  |
| Figure 3: Application circuit.....                         | 8  |
| Figure 4: Output voltage vs temperature .....              | 12 |
| Figure 5: Dropout voltage vs temperature .....             | 12 |
| Figure 6: Line regulation vs temperature .....             | 12 |
| Figure 7: Load regulation vs temperature.....              | 12 |
| Figure 8: Dropout voltage vs temperature .....             | 13 |
| Figure 9: Quiescent current vs temperature .....           | 13 |
| Figure 10: Quiescent current vs output current .....       | 13 |
| Figure 11: Off mode quiescent current vs temperature ..... | 13 |
| Figure 12: Quiescent current vs input voltage .....        | 13 |
| Figure 13: Dropout voltage vs output current .....         | 13 |
| Figure 14: Inhibit input current vs temperature .....      | 14 |
| Figure 15: Inhibit voltage vs temperature .....            | 14 |
| Figure 16: Supply voltage rejection vs frequency .....     | 14 |
| Figure 17: Noise voltage vs frequency .....                | 14 |
| Figure 18: Best case: highest output version .....         | 14 |
| Figure 19: Worst case: lowest output version.....          | 14 |
| Figure 20: Load transient response .....                   | 15 |
| Figure 21: Line transient response .....                   | 15 |
| Figure 22: Reverse current test circuit.....               | 17 |
| Figure 23: SOT-89 package outline.....                     | 18 |
| Figure 24: SOT-89 recommended footprint.....               | 20 |
| Figure 25: SOT-89 carrier tape outline .....               | 21 |
| Figure 26: SOT23-5L package outline.....                   | 22 |
| Figure 27: SOT23-5L recommended footprint.....             | 23 |
| Figure 28: SOT23-5L tape and reel outline .....            | 24 |

# 1 Diagram

Figure 1: Schematic diagram



## 2 Pin configuration

Figure 2: Pin connections (top view)

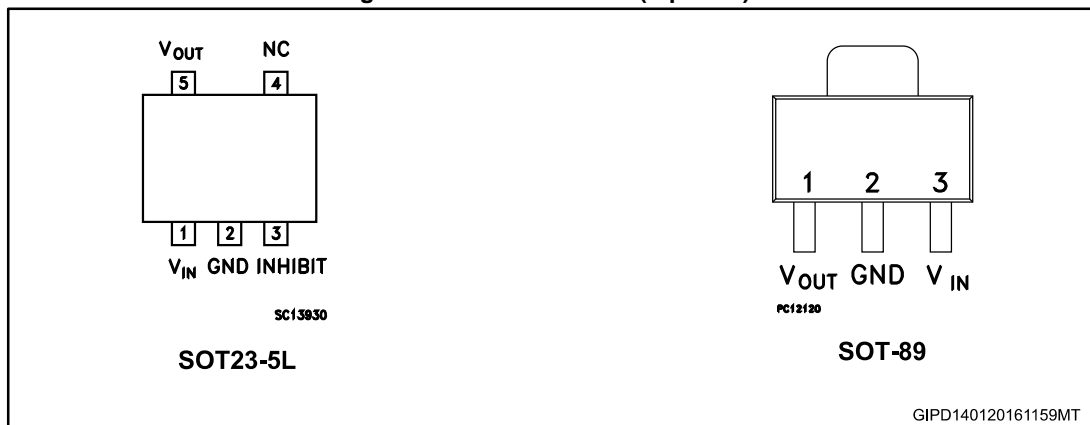


Table 1: Pin description

| Pin n°<br>SOT23-5L | Pin n°<br>SOT-89 | Symbol    | Name and function  |
|--------------------|------------------|-----------|--|
| 1                  | 3                | $V_{IN}$  | Input port   |
| 2                  | 2                | GND       | Ground pin   |
| 3                  |                  | INHIBIT   | Control switch ON/OFF. Inhibit is not internally pulled-up; it cannot be left floating. Disable the device when connected to GND or to a positive voltage less than 0.18 V |
| 4                  |                  | NC        | Not connected  |
| 5                  | 1                | $V_{OUT}$ | Output port  |

Table 2: Thermal data

| Symbol     | Parameter                           | SOT23-5L | SOT-89 | Unit          |
|------------|-------------------------------------|----------|--------|---------------|
| $R_{thJC}$ | Thermal resistance junction-case    | 81       | 15     | $^{\circ}C/W$ |
| $R_{thJA}$ | Thermal resistance junction-ambient | 255      | 110    | $^{\circ}C/W$ |

### 3 Maximum ratings

**Table 3: Absolute maximum ratings**

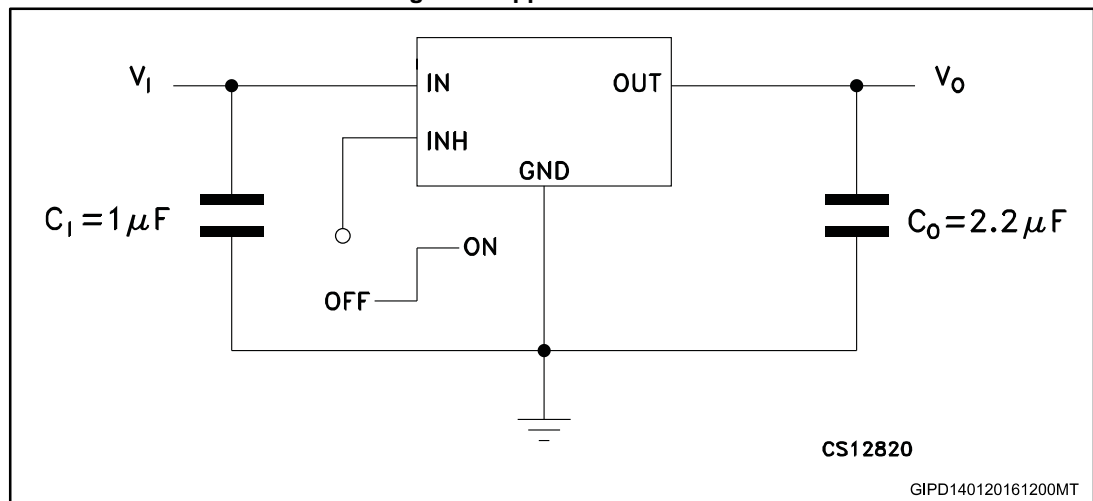
| Symbol    | Parameter                            | Value              | Unit |
|-----------|--------------------------------------|--------------------|------|
| $V_I$     | DC input voltage                     | -0.3 to 16         | V    |
| $V_{INH}$ | INHIBIT input voltage                | -0.3 to 16         | V    |
| $I_O$     | Output current                       | Internally limited |      |
| $P_D$     | Power dissipation                    | Internally limited |      |
| $T_{STG}$ | Storage temperature range            | -55 to 150         | °C   |
| $T_{OP}$  | Operating junction temperature range | -40 to 125         | °C   |



Absolute maximum ratings are those values beyond which damage to the device may occur. Functional operation under these condition is not implied.

## 4 Typical application

Figure 3: Application circuit



Inhibit pin is not internally pulled-up then it must not be left floating. Disable the device when connected to GND or to a positive voltage less than 0.18 V.



## 5 Electrical characteristics

( $T_J = 25\text{ °C}$ ,  $V_I = V_{O(NOM)} + 1\text{ V}$ ,  $C_I = 1\text{ }\mu\text{F}$ ,  $C_O = 2.2\text{ }\mu\text{F}$ ,  $I_O = 1\text{ mA}$ ,  $V_{INH} = 2\text{ V}$ , unless otherwise specified).

Table 4: Electrical characteristics for LD2981AB

| Symbol       | Parameter                      | Test conditions   | Min.  | Typ.  | Max.  | Unit          |
|--------------|--------------------------------|---|-------|-------|-------|---------------|
| $V_{OP}$     | Operating input voltage        |   | 2.5   |       | 16    | V             |
| $V_O$        | Output voltage                 | $I_O = 1\text{ mA}$   | 2.977 | 3     | 3.023 | V             |
|              |                                | $I_O = 1\text{ to }100\text{ mA}$                                       | 2.97  |       | 3.03  |               |
|              |                                | $I_O = 1\text{ to }100\text{ mA}$ , $T_J = -40\text{ to }125\text{ °C}$ | 2.925 |       | 3.075 |               |
| $V_O$        | Output voltage                 | $I_O = 1\text{ mA}$   | 3.275 | 3.3   | 3.325 | V             |
|              |                                | $I_O = 1\text{ to }100\text{ mA}$                                       | 3.267 |       | 3.333 |               |
|              |                                | $I_O = 1\text{ to }100\text{ mA}$ , $T_J = -40\text{ to }125\text{ °C}$ | 3.217 |       | 3.383 |               |
| $V_O$        | Output voltage                 | $I_O = 1\text{ mA}$   | 4.962 | 5     | 5.038 | V             |
|              |                                | $I_O = 1\text{ to }100\text{ mA}$                                       | 4.95  |       | 5.05  |               |
|              |                                | $I_O = 1\text{ to }100\text{ mA}$ , $T_J = -40\text{ to }125\text{ °C}$ | 4.875 |       | 5.125 |               |
| $\Delta V_O$ | Line regulation                | $V_{O(NOM)} + 1 < V_{IN} < 16\text{ V}$ , $I_O = 1\text{ mA}$           |       | 0.003 | 0.014 | %V            |
|              |                                | $T_J = -40\text{ to }125\text{ °C}$                                     |       |       | 0.032 |               |
| $I_Q$        | Quiescent current ON MODE      | $I_O = 0$   |       | 80    | 100   | $\mu\text{A}$ |
|              |                                | $I_O = 0$ , $T_J = -40\text{ to }125\text{ °C}$                         |       |       | 150   |               |
|              |                                | $I_O = 1\text{ mA}$   |       | 100   | 150   |               |
|              |                                | $I_O = 1\text{ mA}$ , $T_J = -40\text{ to }125\text{ °C}$               |       |       | 200   |               |
|              |                                | $I_O = 25\text{ mA}$  |       | 250   | 400   |               |
|              |                                | $I_O = 25\text{ mA}$ , $T_J = -40\text{ to }125\text{ °C}$              |       |       | 800   |               |
|              |                                | $I_O = 100\text{ mA}$   |       | 1000  | 1300  |               |
|              |                                | $I_O = 100\text{ mA}$ , $T_J = -40\text{ to }125\text{ °C}$             |       |       | 2600  |               |
|              | OFF MODE                       | $V_{INH} < 0.3\text{ V}$  |       |       | 0.8   |               |
|              |                                | $V_{INH} < 0.15\text{ V}$ , $T_J = -40\text{ to }125\text{ °C}$         |       |       | 2     |               |
| $V_{DROP}$   | Dropout voltage <sup>(1)</sup> | $I_O = 0$   |       | 1     | 3     | mV            |
|              |                                | $I_O = 0$ , $T_J = -40\text{ to }125\text{ °C}$                         |       |       | 5     |               |
|              |                                | $I_O = 1\text{ mA}$   |       | 7     | 10    |               |
|              |                                | $I_O = 1\text{ mA}$ , $T_J = -40\text{ to }125\text{ °C}$               |       |       | 15    |               |
|              |                                | $I_O = 25\text{ mA}$  |       | 70    | 100   |               |
|              |                                | $I_O = 25\text{ mA}$ , $T_J = -40\text{ to }125\text{ °C}$              |       |       | 150   |               |
|              |                                | $I_O = 100\text{ mA}$   |       | 180   | 250   |               |
|              |                                | $I_O = 100\text{ mA}$ , $T_J = -40\text{ to }125\text{ °C}$             |       |       | 375   |               |
| $I_{SC}$     | Short circuit current          | $R_L = 0$   |       | 150   |       | mA            |

| Symbol            | Parameter                | Test conditions  | Min. | Typ. | Max. | Unit                       |
|-------------------|--------------------------|--|------|------|------|----------------------------|
| SVR               | Supply voltage rejection | $C_o = 10 \mu\text{F}$ , $f = 1 \text{ KHz}$                                 |      | 63   |      | dB                         |
| $V_{INH}$         | Inhibit input logic low  | LOW = Output OFF,<br>$T_J = -40 \text{ to } 125 \text{ }^\circ\text{C}$      |      |      | 0.18 | V                          |
| $V_{INL}$         | Inhibit input logic high | HIGH = Output ON,<br>$T_J = -40 \text{ to } 125 \text{ }^\circ\text{C}$      | 1.6  |      |      | V                          |
| $I_{INH}$         | Inhibit input current    | $V_{INH} = 0 \text{ V}$ , $T_J = -40 \text{ to } 125 \text{ }^\circ\text{C}$ |      | 0    | -1   | $\mu\text{A}$              |
|                   |                          | $V_{INH} = 5 \text{ V}$ , $T_J = -40 \text{ to } 125 \text{ }^\circ\text{C}$ |      | 5    | 15   |                            |
| $e_N$             | Output noise voltage     | $B_w = 300 \text{ Hz to } 50 \text{ KHz}$ , $C_o = 10 \mu\text{F}$           |      | 160  |      | $\mu\text{V}_{\text{RMS}}$ |
| $T_{\text{SHDN}}$ | Thermal shutdown         |  |      | 170  |      | $^\circ\text{C}$           |

**Notes:**

(1) For  $V_o < 2.5 \text{ V}$  dropout voltage can be calculated according to the minimum input voltage in full temperature range.

( $T_J = 25 \text{ }^\circ\text{C}$ ,  $V_i = V_{O(\text{NOM})} + 1 \text{ V}$ ,  $C_i = 1 \mu\text{F}$ ,  $C_o = 2.2 \mu\text{F}$ ,  $I_o = 1 \text{ mA}$ ,  $V_{INH} = 2 \text{ V}$ , unless otherwise specified)

**Table 5: Electrical characteristics for LD2981C**

| Symbol       | Parameter               | Test conditions   | Min.  | Typ.  | Max.  | Unit |
|--------------|-------------------------|---|-------|-------|-------|------|
| $V_{OP}$     | Operating input voltage |   | 2.5   |       | 16    | V    |
| $V_o$        | Output voltage          | $I_o = 1 \text{ mA}$  | 2.468 | 2.5   | 2.531 | V    |
|              |                         | $I_o = 1 \text{ to } 100 \text{ mA}$  | 2.45  |       | 2.55  |      |
|              |                         | $I_o = 1 \text{ to } 100 \text{ mA}$ , $T_J = -40 \text{ to } 125 \text{ }^\circ\text{C}$ | 2.412 |       | 2.587 |      |
| $V_o$        | Output voltage          | $I_o = 1 \text{ mA}$  | 2.962 | 3     | 3.037 | V    |
|              |                         | $I_o = 1 \text{ to } 100 \text{ mA}$  | 2.94  |       | 3.06  |      |
|              |                         | $I_o = 1 \text{ to } 100 \text{ mA}$ , $T_J = -40 \text{ to } 125 \text{ }^\circ\text{C}$ | 2.895 |       | 3.105 |      |
| $V_o$        | Output voltage          | $I_o = 1 \text{ mA}$  | 3.258 | 3.3   | 3.341 | V    |
|              |                         | $I_o = 1 \text{ to } 100 \text{ mA}$  | 3.234 |       | 3.366 |      |
|              |                         | $I_o = 1 \text{ to } 100 \text{ mA}$ , $T_J = -40 \text{ to } 125 \text{ }^\circ\text{C}$ | 3.184 |       | 3.415 |      |
| $V_o$        | Output voltage          | $I_o = 1 \text{ mA}$  | 4.937 | 5     | 5.062 | V    |
|              |                         | $I_o = 1 \text{ to } 100 \text{ mA}$  | 4.9   |       | 5.1   |      |
|              |                         | $I_o = 1 \text{ to } 100 \text{ mA}$ , $T_J = -40 \text{ to } 125 \text{ }^\circ\text{C}$ | 4.825 |       | 5.175 |      |
| $\Delta V_o$ | Line regulation         | $V_{O(\text{NOM})} + 1 < V_{IN} < 16 \text{ V}$ , $I_o = 1 \text{ mA}$                    |       | 0.003 | 0.014 | %V   |
|              |                         | $T_J = -40 \text{ to } 125 \text{ }^\circ\text{C}$  |       |       | 0.032 |      |

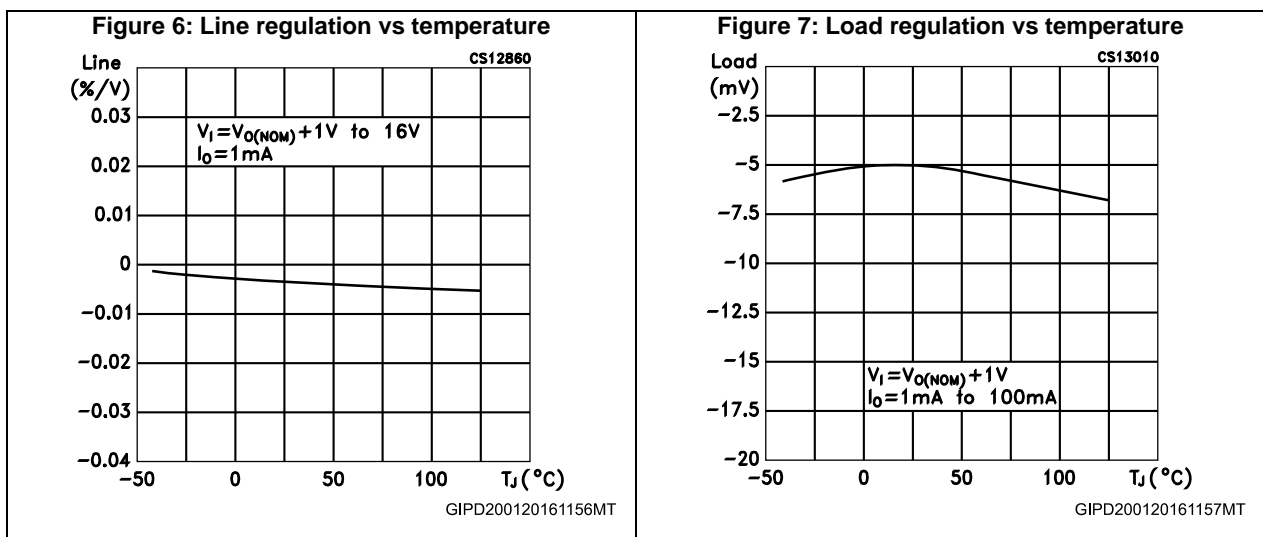
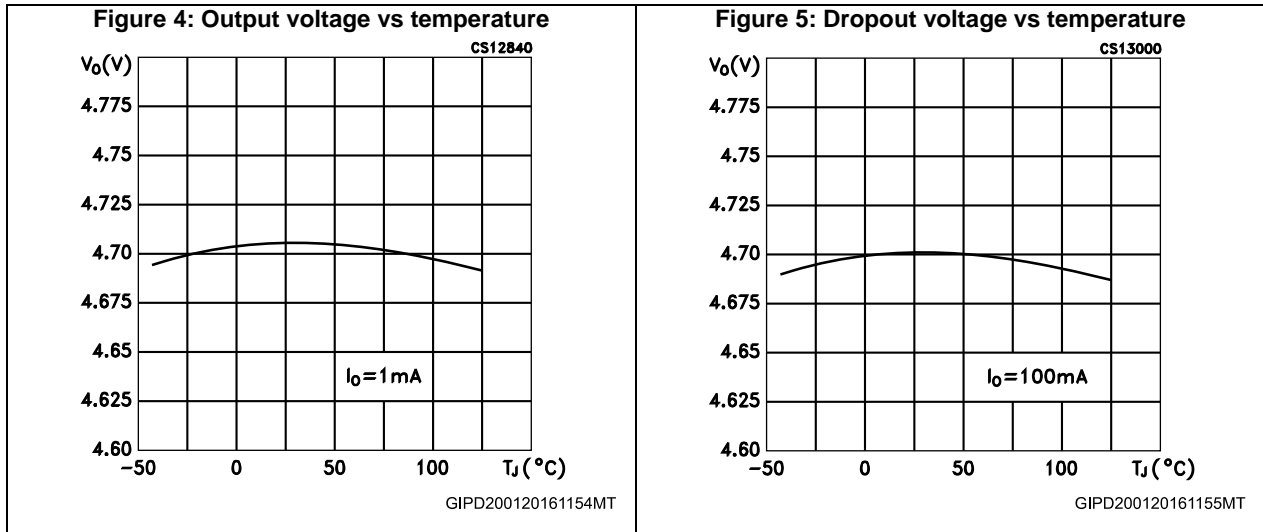
| Symbol            | Parameter                      | Test conditions   | Min. | Typ. | Max. | Unit              |
|-------------------|--------------------------------|---|------|------|------|-------------------|
| I <sub>Q</sub>    | Quiescent current<br>ON MODE   | I <sub>o</sub> = 0  |      | 80   | 100  | μA                |
|                   |                                | I <sub>o</sub> = 0, T <sub>J</sub> = -40 to 125 °C        |      |      | 150  |                   |
|                   |                                | I <sub>o</sub> = 1 mA                                     |      | 100  | 150  |                   |
|                   |                                | I <sub>o</sub> = 1 mA, T <sub>J</sub> = -40 to 125 °C     |      |      | 200  |                   |
|                   |                                | I <sub>o</sub> = 25 mA                                    |      | 250  | 400  |                   |
|                   |                                | I <sub>o</sub> = 25 mA, T <sub>J</sub> = -40 to 125 °C    |      |      | 800  |                   |
|                   |                                | I <sub>o</sub> = 100 mA                                   |      | 1000 | 1300 |                   |
|                   |                                | I <sub>o</sub> = 100 mA, T <sub>J</sub> = -40 to 125 °C   |      |      | 2600 |                   |
|                   | OFF MODE                       | V <sub>INH</sub> < 0.3 V                                  |      |      |      | 0.8               |
|                   |                                | V <sub>INH</sub> < 0.15 V, T <sub>J</sub> = -40 to 125 °C |      |      |      | 2                 |
| V <sub>DROP</sub> | Dropout voltage <sup>(1)</sup> | I <sub>o</sub> = 0  |      | 1    | 3    | mV                |
|                   |                                | I <sub>o</sub> = 0, T <sub>J</sub> = -40 to 125 °C        |      |      | 5    |                   |
|                   |                                | I <sub>o</sub> = 1 mA                                     |      | 7    | 10   |                   |
|                   |                                | I <sub>o</sub> = 1 mA, T <sub>J</sub> = -40 to 125 °C     |      |      | 15   |                   |
|                   |                                | I <sub>o</sub> = 25 mA                                    |      | 70   | 100  |                   |
|                   |                                | I <sub>o</sub> = 25 mA, T <sub>J</sub> = -40 to 125 °C    |      |      | 150  |                   |
|                   |                                | I <sub>o</sub> = 100 mA                                   |      | 180  | 250  |                   |
|                   |                                | I <sub>o</sub> = 100 mA, T <sub>J</sub> = -40 to 125 °C   |      |      | 375  |                   |
| I <sub>SC</sub>   | Short circuit current          | R <sub>L</sub> = 0  |      | 150  |      | mA                |
| SVR               | Supply voltage rejection       | C <sub>O</sub> = 10 μF, f = 1 KHz                         |      | 63   |      | dB                |
| V <sub>INH</sub>  | Inhibit input logic low        | LOW = Output OFF,<br>T <sub>J</sub> = -40 to 125 °C       |      |      | 0.18 | V                 |
| V <sub>INL</sub>  | Inhibit input logic high       | HIGH = Output ON,<br>T <sub>J</sub> = -40 to 125 °C       | 1.6  |      |      | V                 |
| I <sub>INH</sub>  | Inhibit input current          | V <sub>INH</sub> = 0 V, T <sub>J</sub> = -40 to 125 °C    |      | 0    | -1   | μF                |
|                   |                                | V <sub>INH</sub> = 5 V, T <sub>J</sub> = -40 to 125 °C    |      | 5    | 15   |                   |
| e <sub>N</sub>    | Output noise voltage           | B <sub>w</sub> = 300 Hz to 50 KHz, C <sub>O</sub> = 10 μF |      | 160  |      | μV <sub>RMS</sub> |
| T <sub>SHDN</sub> | Thermal shutdown               |   |      | 170  |      | °C                |

**Notes:**

(1) For V<sub>O</sub> < 2.5 V dropout voltage can be calculated according to the minimum input voltage in full temperature range.

## 6 Typical performance characteristics

( $T_J = 25\text{ }^\circ\text{C}$ ,  $V_I = V_{O(NOM)} + 1\text{ V}$ ,  $C_I = 1\text{ }\mu\text{F}$ ,  $C_O = 2.2\text{ }\mu\text{F}$ ,  $V_{INH} = 2\text{ V}$ , unless otherwise specified).



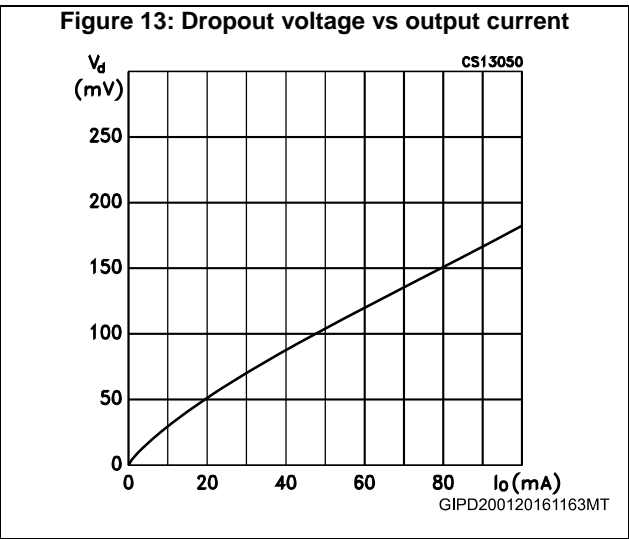
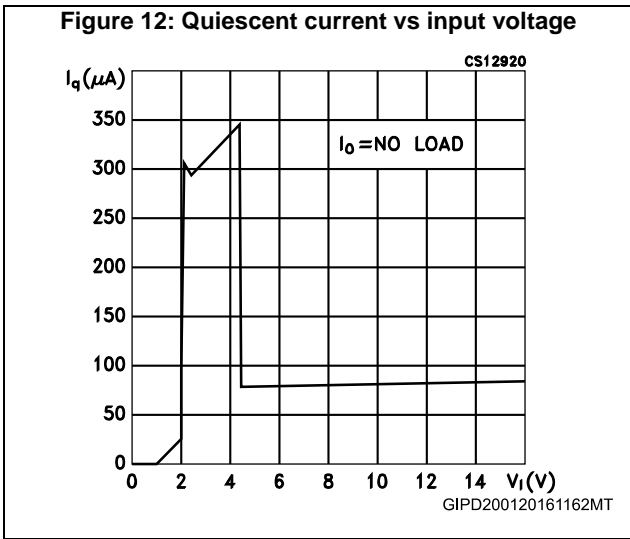
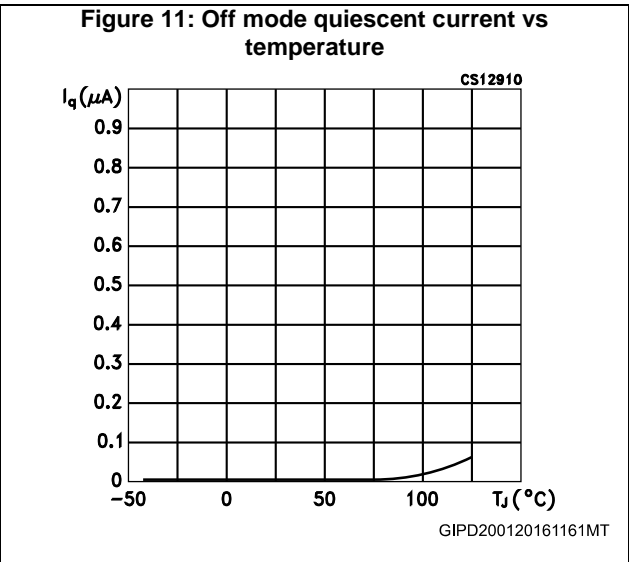
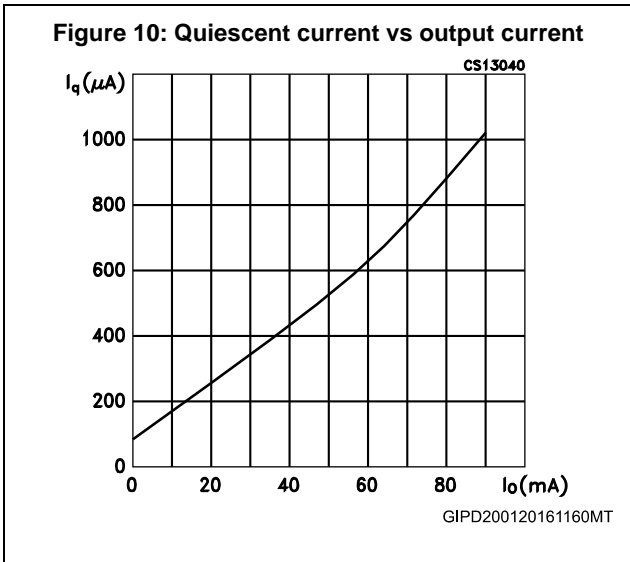
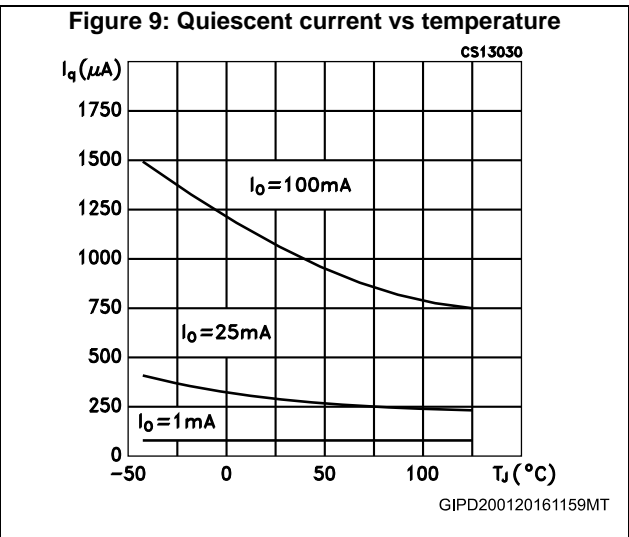
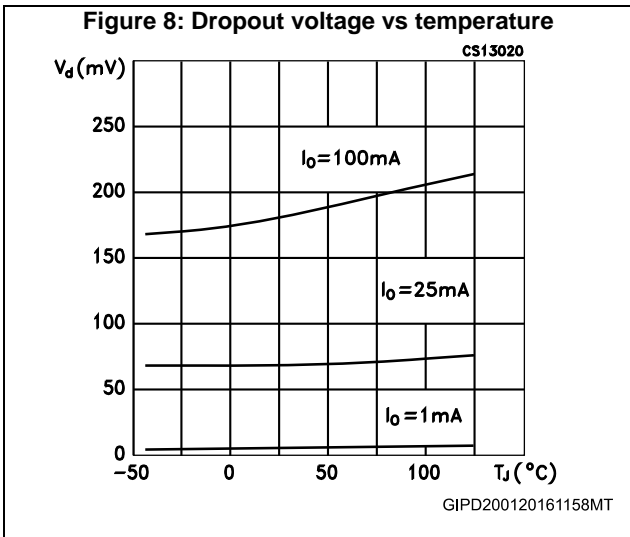


Figure 14: Inhibit input current vs temperature

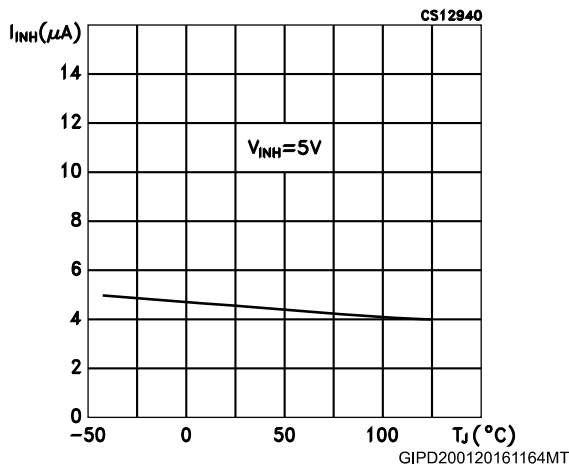


Figure 15: Inhibit voltage vs temperature

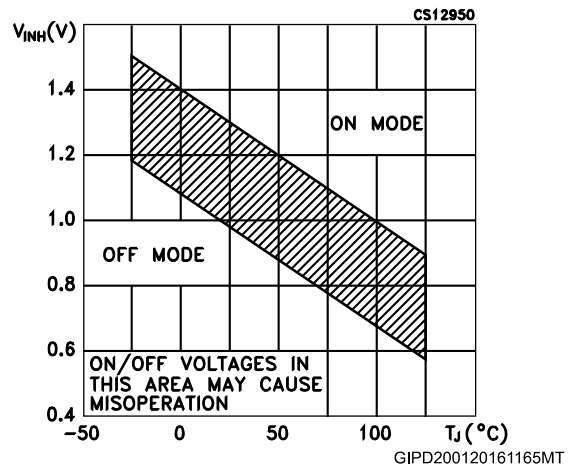


Figure 16: Supply voltage rejection vs frequency

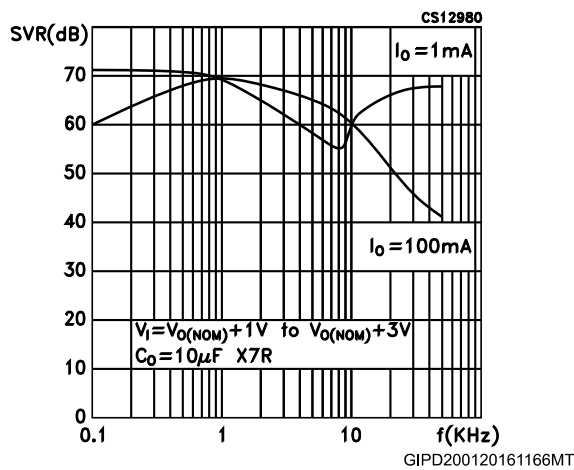


Figure 17: Noise voltage vs frequency

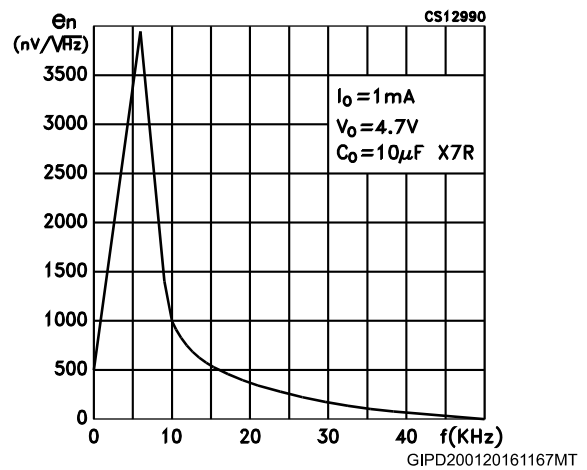


Figure 18: Best case: highest output version

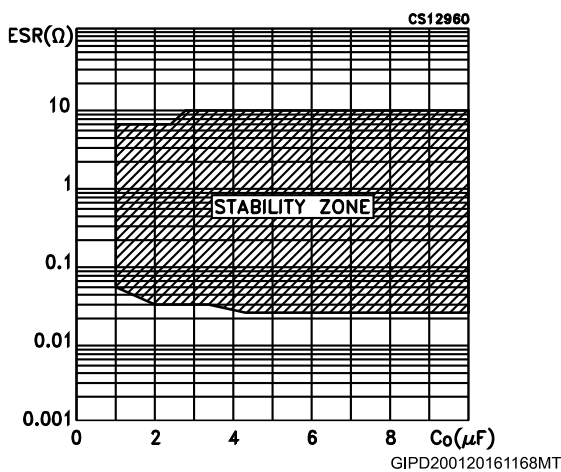
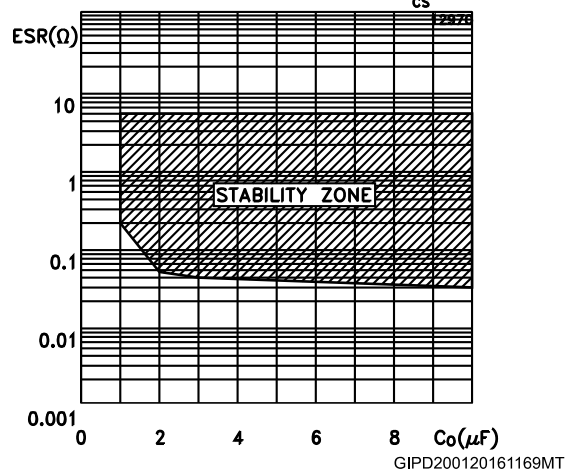
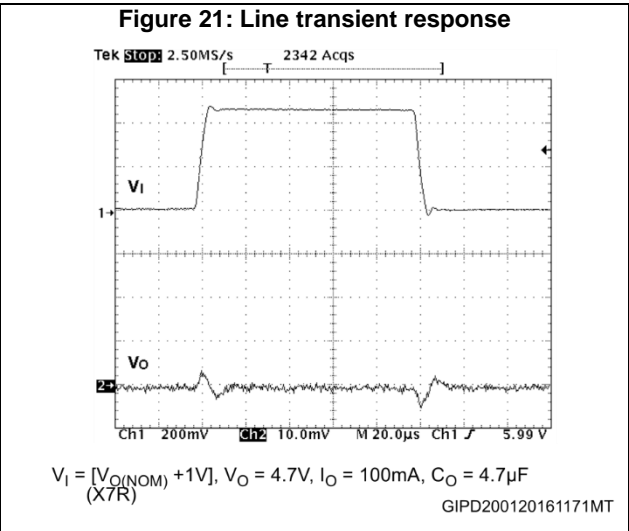
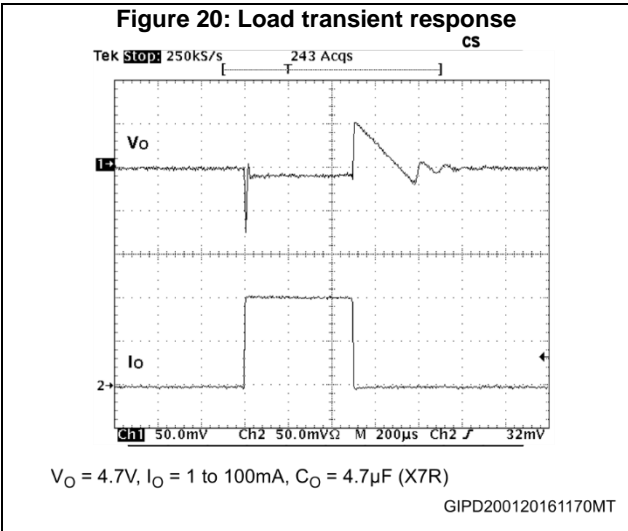


Figure 19: Worst case: lowest output version





## 7 Application notes

### 7.1 External capacitors

Like any low-dropout regulator, the LD2981 requires external capacitors for regulator stability. This capacitor must be selected to meet the requirements of minimum capacitance and equivalent series resistance. We suggest to solder input and output capacitors as close as possible to the relative pins.

### 7.2 Input capacitor

An input capacitor whose value is 1  $\mu\text{F}$  is required with the LD2981 (amount of capacitance can be increased without limit). This capacitor must be located a distance of not more than 0.5" from the input pin of the device and returned to a clean analog ground. Any good quality ceramic, tantalum or film capacitors can be used for this capacitor.

### 7.3 Output capacitor

The LD2981 is designed specifically to work with ceramic output capacitors. It may also be possible to use Tantalum capacitors, but these are not as attractive for reasons of size and cost. By the way, the output capacitor must meet both the requirement for minimum amount of capacitance and ESR (equivalent series resistance) value. The [Figure 18: "Best case: highest output version"](#) and [Figure 19: "Worst case: lowest output version"](#) show the allowable ESR range as a function of the output capacitance. These curves represent the stability region over the full temperature and IO range. Due to the different loop gain, the stability improves for higher output versions and so the suggested minimum output capacitor value, if low ESR ceramic type is used, is 1  $\mu\text{F}$  for output voltages equal or major than 3.8 V, 2.2  $\mu\text{F}$  for output voltages from 2.85 to 3.3 V, and 3.3  $\mu\text{F}$  for the other versions. However, if an output capacitor lower than the suggested one is used, it's possible to make stable the regulator adding a resistor in series to the capacitor (see [Figure 18: "Best case: highest output version"](#) and [Figure 19: "Worst case: lowest output version"](#) to choose the right value according to the used version and keeping in account that the ESR of ceramic capacitors has been measured @ 100 kHz).

### 7.4 Important

The output capacitor must maintain its ESR in the stable region over the full operating temperature to assure stability. Also, capacitor tolerance and variation with temperature must be considered to assure the minimum amount of capacitance is provided at all times. This capacitor should be located not more than 0.5" from the output pin of the device and returned to a clean analog ground.

### 7.5 Inhibit input operation

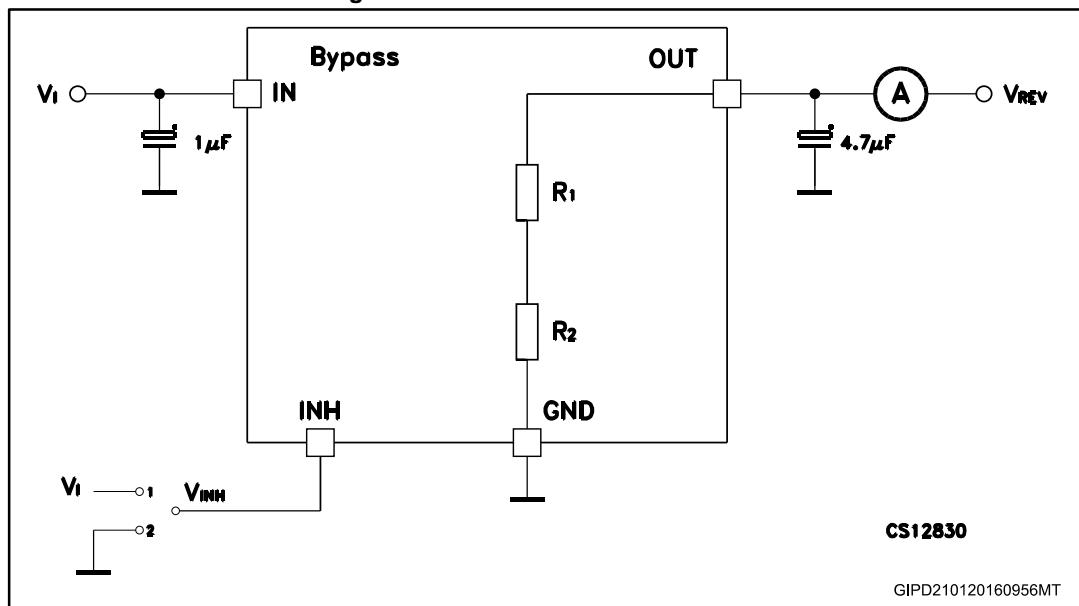
The inhibit pin can be used to turn OFF the regulator when pulled low, so drastically reducing the current consumption down to less than 1  $\mu\text{A}$ . When the inhibit feature is not used, this pin must be tied to  $V_I$  to keep the regulator output ON at all times. To assure proper operation, the signal source used to drive the inhibit pin must be able to swing above and below the specified thresholds listed in the electrical characteristics section under  $V_{IH}$   $V_{IL}$ . Any slew rate can be used to drive the inhibit.



## 7.6 Reverse current

The power transistor used in the LD2981 has not an inherent diode connected between the regulator input and output. If the output is forced above the input, no current will flow from the output to the input across the series pass transistor. When a  $V_{REV}$  voltage is applied on the output, the reverse current measured, according to the test circuit in [Figure 22: "Reverse current test circuit"](#), flows to the GND across the two feedback resistors. This current typical value is 160  $\mu\text{A}$ .  $R_1$  and  $R_2$  resistors are implanted type; typical values are, respectively, 42.6 k $\Omega$  and 51.150 k $\Omega$ .

Figure 22: Reverse current test circuit



## 8 Package information

In order to meet environmental requirements, ST offers these devices in different grades of ECOPACK® packages, depending on their level of environmental compliance. ECOPACK® specifications, grade definitions and product status are available at: [www.st.com](http://www.st.com). ECOPACK® is an ST trademark.

### 8.1 SOT-89 package information

Figure 23: SOT-89 package outline

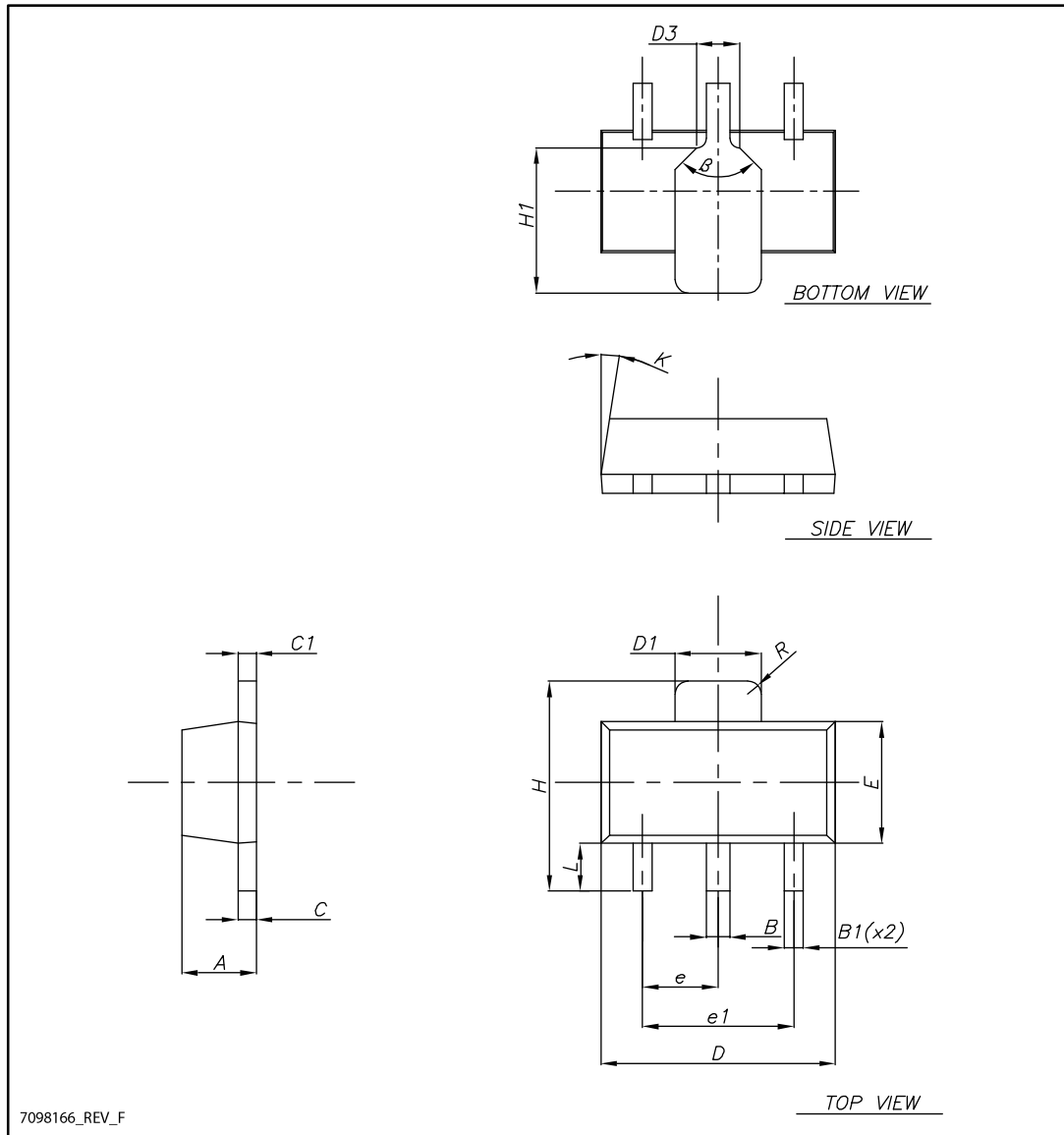
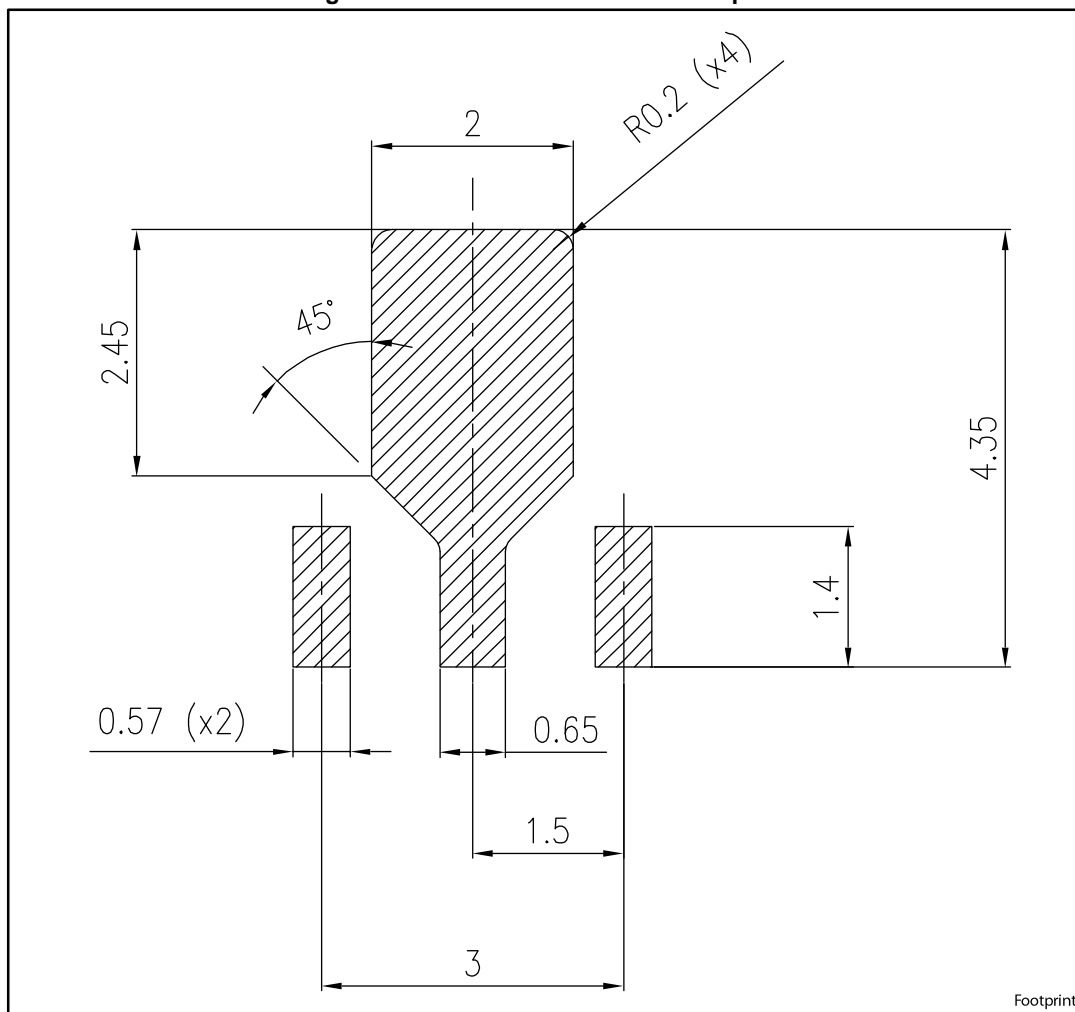


Table 6: SOT-89 mechanical data

| Dim. | mm   |      |      |
|------|------|------|------|
|      | Min. | Typ. | Max. |
| A    | 1.40 |      | 1.60 |
| B    | 0.44 |      | 0.56 |
| B1   | 0.36 |      | 0.48 |
| C    | 0.35 |      | 0.44 |
| C1   | 0.35 |      | 0.44 |
| D    | 4.40 |      | 4.60 |
| D1   | 1.62 |      | 1.83 |
| D3   |      | 0.90 |      |
| E    | 2.29 |      | 2.60 |
| e    | 1.42 |      | 1.57 |
| e1   | 2.92 |      | 3.07 |
| H    | 3.94 |      | 4.25 |
| H1   | 2.70 |      | 3.10 |
| K    | 1°   |      | 8°   |
| L    | 0.89 |      | 120  |
| R    |      | 0.25 |      |
| β    |      | 90°  |      |

Figure 24: SOT-89 recommended footprint



## 8.2 SOT-89 packing information

Figure 25: SOT-89 carrier tape outline

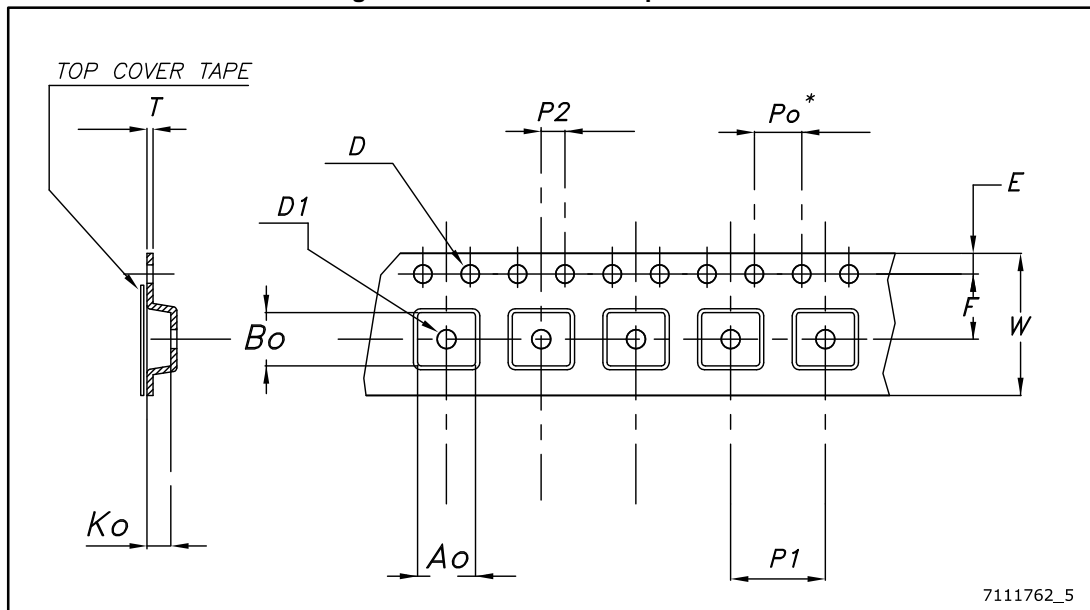
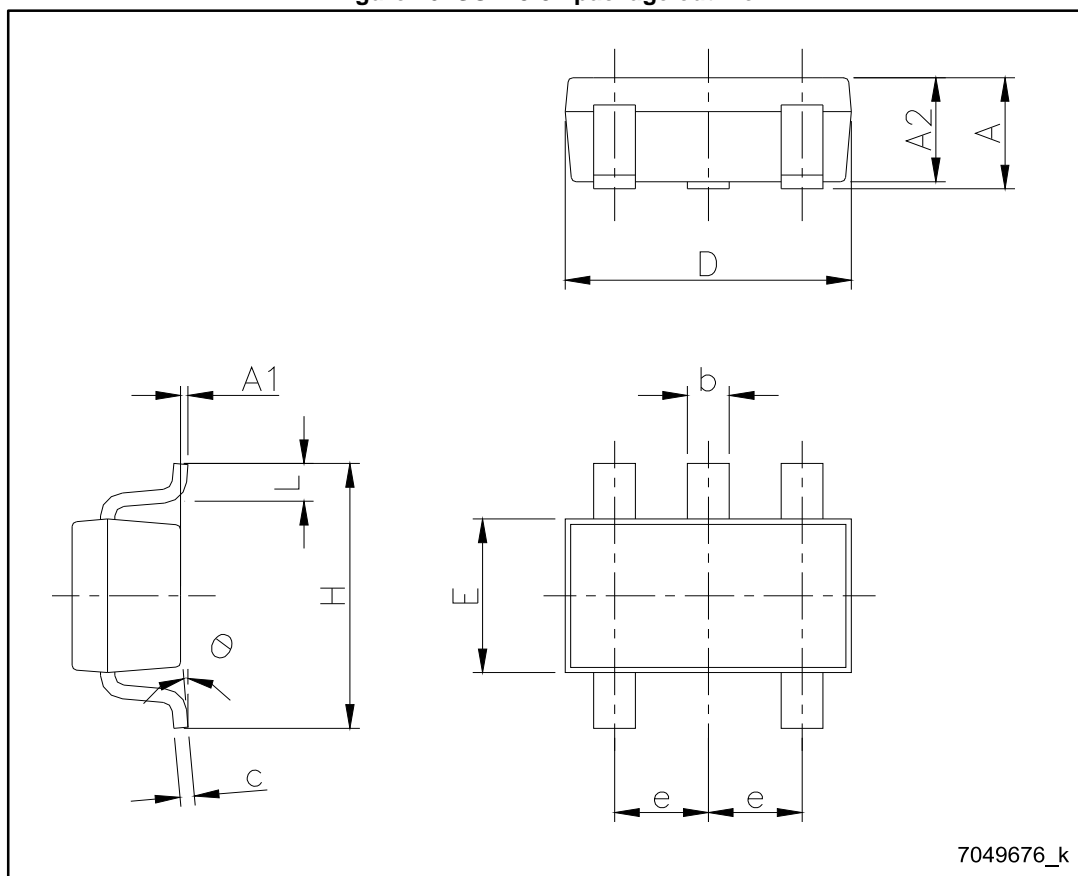


Table 7: SOT-89 carrier tape mechanical data

| Dim. | mm     |           |
|------|--------|-----------|
|      | Value  | Tolerance |
| Ao   | 4.91   | ± 0.10    |
| Bo   | 4.52   | ± 0.10    |
| Ko   | 1.90   | ± 0.10    |
| F    | 5.50   | ± 0.10    |
| E    | 1.75   | ± 0.10    |
| W    | 12     | ± 0.30    |
| P2   | 2      | ± 0.10    |
| Po   | 4      | ± 0.10    |
| P1   | 8      | ± 0.10    |
| T    | 0.30   | ± 0.10    |
| D    | Ø 1.55 | ± 0.05    |
| D1   | Ø 1.60 | ± 0.10    |

### 8.3 SOT23-5L package information

Figure 26: SOT23-5L package outline

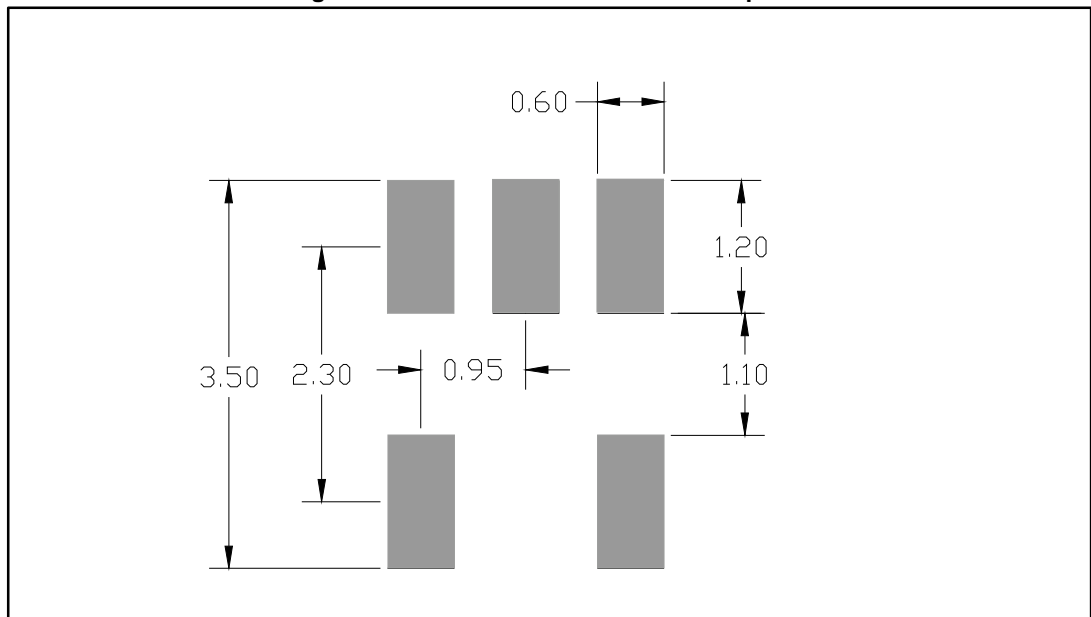


7049676\_k

Table 8: SOT23-5L package mechanical data

| Dim.     | mm   |      |      |
|----------|------|------|------|
|          | Min. | Typ. | Max. |
| A        | 0.90 |      | 1.45 |
| A1       | 0    |      | 0.15 |
| A2       | 0.90 |      | 1.30 |
| b        | 0.30 |      | 0.50 |
| c        | 0.09 |      | 0.20 |
| D        |      | 2.95 |      |
| E        |      | 1.60 |      |
| e        |      | 0.95 |      |
| H        |      | 2.80 |      |
| L        | 0.30 |      | 0.60 |
| $\theta$ | 0°   |      | 8°   |

Figure 27: SOT23-5L recommended footprint



Dimensions are in mm

### 8.4 SOT23-5L packing information

Figure 28: SOT23-5L tape and reel outline

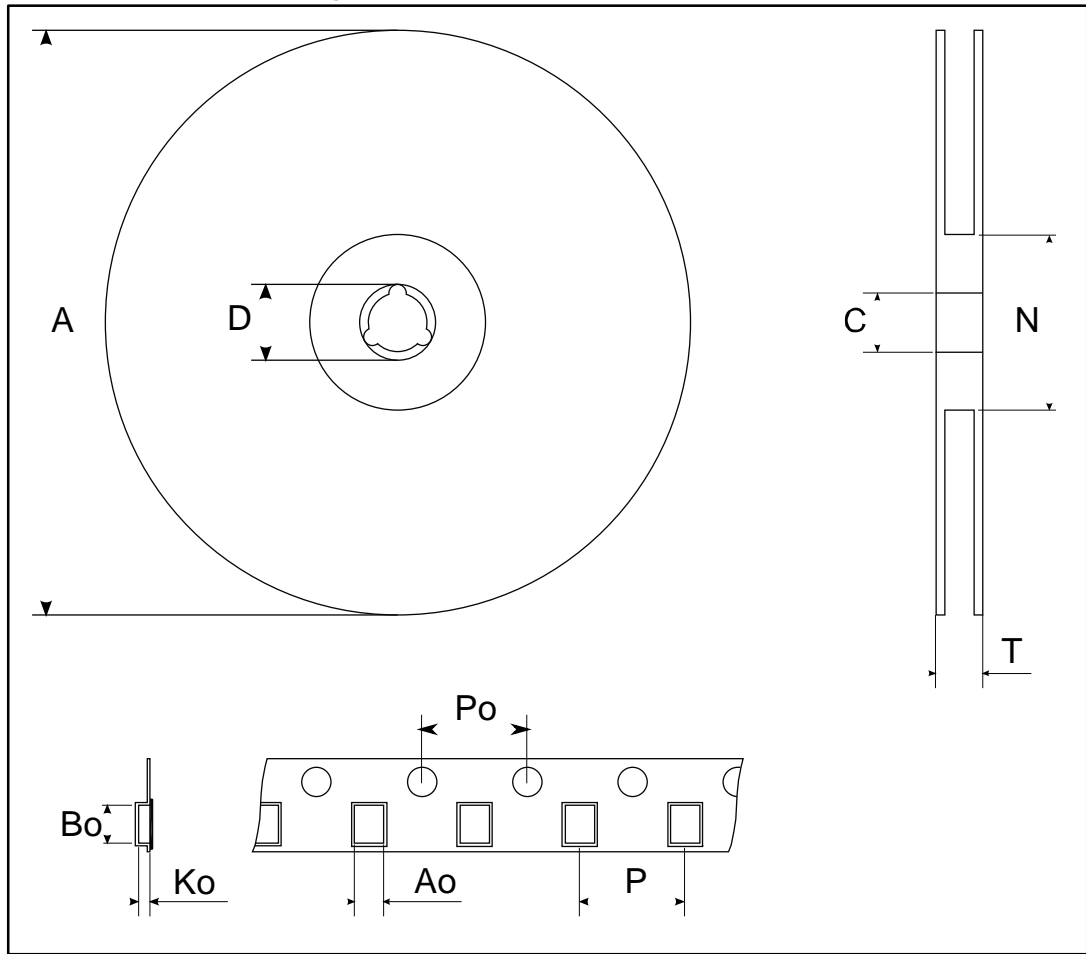


Table 9: SOT23-5L tape and reel mechanical data

| Dim. | mm   |      |      |
|------|------|------|------|
|      | Min. | Typ. | Max. |
| A    |      |      | 180  |
| C    | 12.8 | 13.0 | 13.2 |
| D    | 20.2 |      |      |
| N    | 60   |      |      |
| T    |      |      | 14.4 |
| Ao   | 3.13 | 3.23 | 3.33 |
| Bo   | 3.07 | 3.17 | 3.27 |
| Ko   | 1.27 | 1.37 | 1.47 |
| Po   | 3.9  | 4.0  | 4.1  |
| P    | 3.9  | 4.0  | 4.1  |



## 9 Ordering information

Table 10: Order codes

| AB version    |               | C version    |              | Output voltage |
|---------------|---------------|--------------|--------------|----------------|
| SOT23-5L      | SOT-89        | SOT23-5L     | SOT-89       |                |
|               |               | LD2981CM25TR |              | 2.5 V          |
| LD2981ABM30TR |               | LD2981CM30TR |              | 3.0 V          |
| LD2981ABM33TR | LD2981ABU33TR | LD2981CM33TR | LD2981CU33TR | 3.3 V          |
| LD2981ABM50TR | LD2981ABU50TR | LD2981CM33TR | LD2981CU50TR | 5.0 V          |

## 10 Revision history

Table 11: Document revision history

| Date        | Revision | Changes   |
|-------------|----------|---|
| 25-Jul-2006 | 12       | Order codes updated.  |
| 14-Feb-2008 | 13       | Added: Table 1 on page 1.   |
| 14-Jul-2008 | 14       | Modified: Table 1 on page 1 and Table 10 on page 23.  |
| 25-Nov-2013 | 15       | Document name changed from LD2981ABxx and LD2981Cxx to LD2981. Updated Table 4 and Table 5. Updated Section 8: Package information and Section 8.4: SOT-89 packing information. Minor text changes in title, in features and description in cover page. |
| 16-Mar-2015 | 16       | Updated Section 8: Package information. Minor text changes.   |
| 01-Apr-2016 | 17       | Updated <a href="#">Section 8: "Package information"</a> . Minor text changes.  |

**IMPORTANT NOTICE – PLEASE READ CAREFULLY**

STMicroelectronics NV and its subsidiaries ("ST") reserve the right to make changes, corrections, enhancements, modifications, and improvements to ST products and/or to this document at any time without notice. Purchasers should obtain the latest relevant information on ST products before placing orders. ST products are sold pursuant to ST's terms and conditions of sale in place at the time of order acknowledgement.

Purchasers are solely responsible for the choice, selection, and use of ST products and ST assumes no liability for application assistance or the design of Purchasers' products.

No license, express or implied, to any intellectual property right is granted by ST herein.

Resale of ST products with provisions different from the information set forth herein shall void any warranty granted by ST for such product.

ST and the ST logo are trademarks of ST. All other product or service names are the property of their respective owners.

Information in this document supersedes and replaces information previously supplied in any prior versions of this document.

© 2016 STMicroelectronics – All rights reserved