



Diode module, With 7 diodes, Common cathode, Screw connection, Mounting type: Mounting rail TS 35

### Business data

Article number	<u>5752.2</u>
Article name	AM 7 K/24
GTIN (EAN)	4044211069537
Packaging unit	1
Quantity unit	PC
Weight per piece (not including packaging)	62 g
Weight per piece (including packaging)	89.8 g
Unit of weight	G
Customs number	85395100
Country of origin	NL
Product description	Display module

---

### Technical data

---

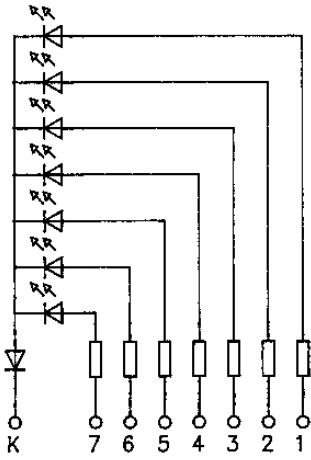
#### Environmental Product Compliance

---

REACH Conform	yes
REACH Reference date	2022-06-10
REACH Candidate Substance Note	No
RoHS Conform	yes

---

### Media



---

### Accessories

---