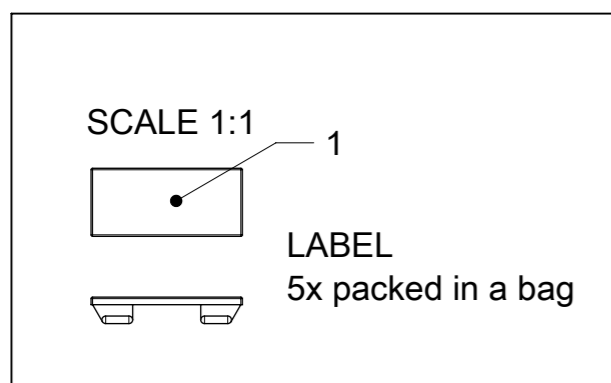
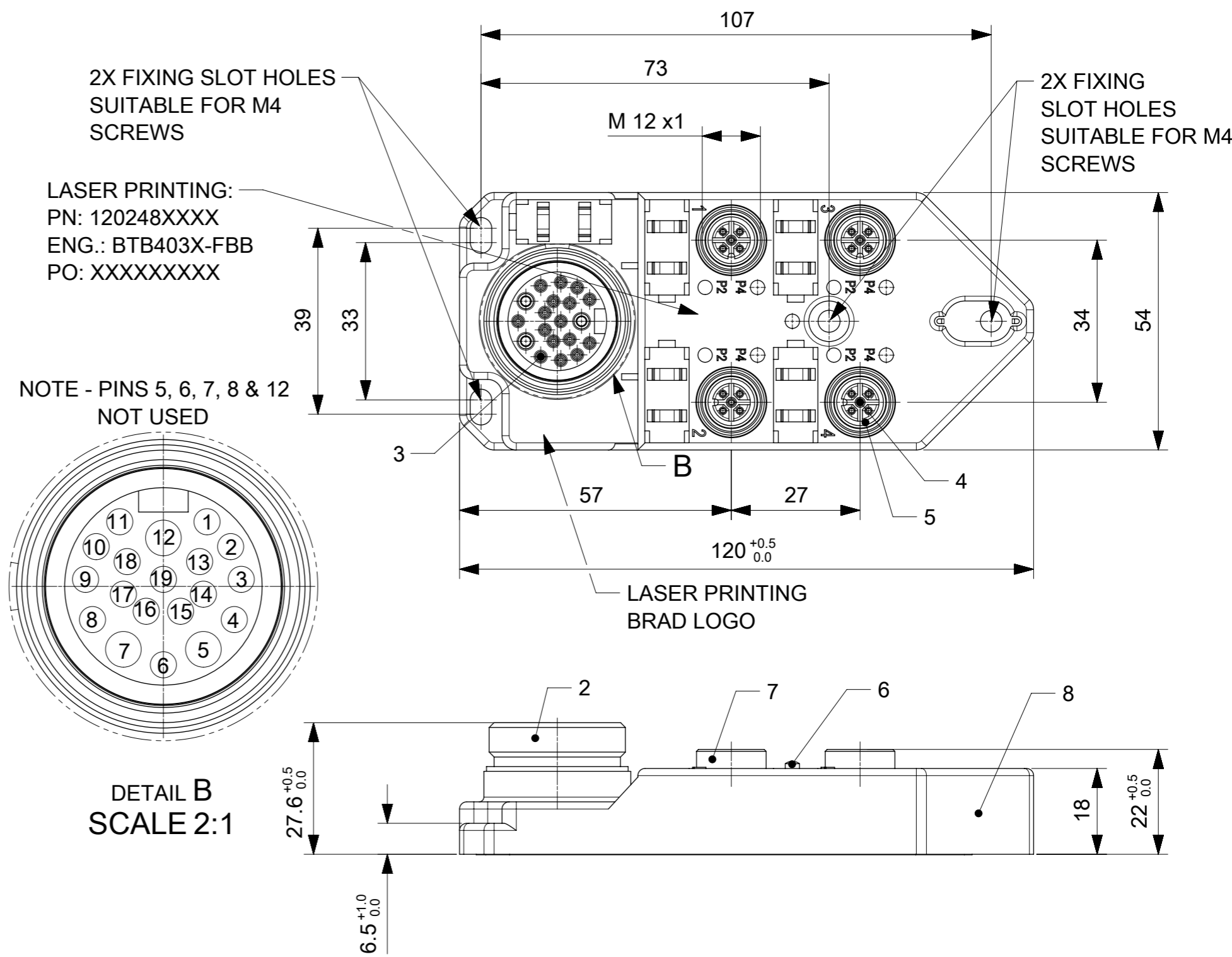


**TABLE 1**

MOLEX P/N	ENG. NO.	LED
1202480076	BTB4030-FBB	NO
1202480077	BTB403P-FBB	YES
1202480078	BTB403N-FBB	YES

**TABLE 2 BILL OF MATERIAL**

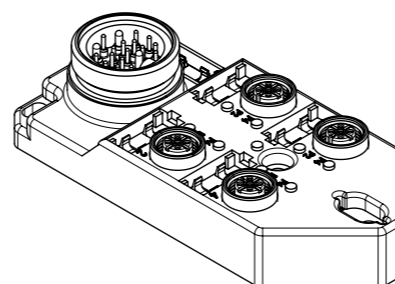
ITEM	DESCRIPTION	MATERIAL	FINISH
1	LABEL	ABS	WHITE
2	SHELL	BRASS	NICKEL PLATED
3	CONTACT	BRASS	GOLD OVER NICKEL
4	CONTACT	BRONZE	GOLD OVER NICKEL
5	O-RING	FPM	RED
6	LED	NO LED = PA	BLACK
		WITH LED = PA	TRANSPARENT
7	SHELL	BRASS	NICKEL PLATED
8	HOUSING	PBT	BLACK



**GENERAL CHARACTERISTICS:**

ELECTRICAL AND MECHANICAL DATA ACC. TO IEC 61076-2-101

NOMINAL VOLTAGE: 10-30 V DC  
 AMPERE RATING: 4 A PER PORT / 12 A MAX  
 AMPERE RATING WITH UL REGISTRATION: 3 A PER PORT / 9 A MAX  
 IP DEGREE OF PROTECTION: IP 67  
 TEMPERATURE RANGE: -25°C to + 85°C



SCALE 1:2

SYMBOLS		THIS DRAWING CONTAINS INFORMATION THAT IS PROPRIETARY TO MOLEX ELECTRONIC TECHNOLOGIES, LLC AND SHOULD NOT BE USED WITHOUT WRITTEN PERMISSION	
DIMENSION UNITS	SCALE	CURRENT REV DESC:	ADDED
mm		EC NO:	606042
GENERAL TOLERANCES (UNLESS SPECIFIED)		DRWN:	MDHARMANTI 2018/08/31
ANGULAR TOL	± °	CHK'D:	RSILLER 2018/10/18
4 PLACES	±	APPR:	RSILLER 2018/10/18
3 PLACES	±	INITIAL REVISION:	
2 PLACES	±	DRWN:	ULETTENMEIER 2016/04/18
1 PLACE	±	APPR:	RSILLER 2017/01/18
0 PLACES	± 0.25	DRAFT WHERE APPLICABLE MUST REMAIN WITHIN DIMENSIONS	
THIRD ANGLE PROJECTION		DRAWING	A3-SIZE
SERIES	120248	MATERIAL NUMBER	SEE TABLE 1
CUSTOMER	GENERAL MARKET	DOC TYPE	PSD
SHEET NUMBER	1 OF 2	DOC PART	000
		REVISION	B

**molex**

MPIS M12 PNP NPN NOS 5P 4PT 19P MC BK STA DUAL

PRODUCT CUSTOMER DRAWING

1202480076

