

# Waterproof Rocker Switches

## Miniature Illuminated



### Features

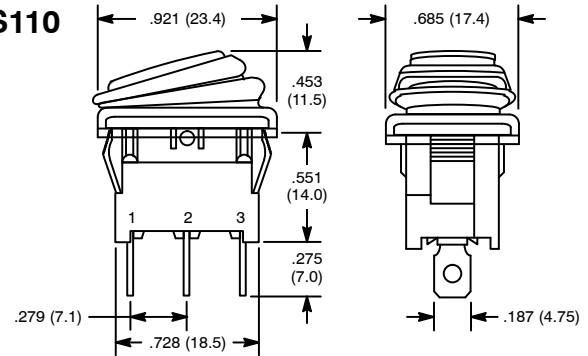
- **Waterproof:** IP65
- **Single Pole**
- **.187" Quick Connect Terminals**



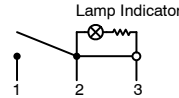
NTE Type No.	Circuitry	Action			Actuator			Diag No.	
					Material	Color			Vltg
						Neon	LED		
54-200W	SPST	ON	NONE	OFF	PC	Red	-	AC	S110
54-201W	SPST	ON	NONE	OFF	PC	-	Red	DC	S110
54-202W*	SPDT	ON	NONE	ON	PC	Black		N/A	S110
54-203W	SPST	ON	NONE	OFF	PC	Green	-	AC	S110
54-204W	SPST	ON	NONE	OFF	PC	-	Green	DC	S110

\* Designates Non-Illuminated Type

S110

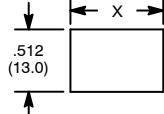


Wiring Diagram



Mounting Hole

Panel Thickness	X
.030 (.750) - .059 (1.50)	.764 (19.40)
.059 (1.50) - .098 (2.50)	.780 (19.80)



## Specifications

**Current Rating:** 16A 125VAC 1/3 HP, 10A 250VAC 1/2 HP  
**Lamp Voltage:** 110V Neon (AC) & 12V LED (DC)  
**Insulation Resistance:** 100 Megohms (min.) at 500VDC  
**Dielectric Strength:** 1000V RMS (min.)  
**Temperature Rating:** +32° to +185°F (0° to +85°C)  
**Electrical Life:** 10,000 cycles  
**Mechanical Life:** 50,000 cycles at full load  
**Terminal Type:** .187" Tab Q.C.  
**Mounting Hole:** See Table 1

## Miniature Illuminated



### Features

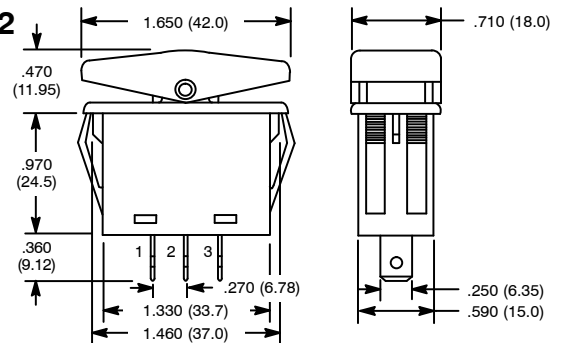
- **Waterproof:** IP66
- **Single Pole**
- **.250" Quick Connect Terminals**



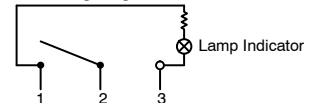
NTE Type No.	Circuitry	Action			Actuator			Diag No.	
					Material	Color			Vltg
						Neon	LED		
54-215W	SPST	ON	NONE	OFF	PC	Red	-	AC	S112
54-216W	SPST	ON	NONE	OFF	PC	-	Red	DC	S112
54-219W	SPST	ON	NONE	OFF	PC	Green	-	AC	S112
54-220W	SPST	ON	NONE	OFF	PC	-	Green	DC	S112
54-221W*	SPST	ON	NONE	OFF	PC	Black		N/A	S112

\* Designates Non-Illuminated Type

S112



Wiring Diagram



## Specifications

**Current Rating:** 20A 125VAC 1/3 HP, 10A 250VAC 3/4 HP, 20A 14VAC, 10A 24VAC  
**Lamp Voltage:** 110V Neon (AC) & 12V LED (DC)  
**Insulation Resistance:** 100 Megohms (min.) at 500VDC  
**Dielectric Strength:** 1500V RMS (min.)  
**Temperature Rating:** +32° to +185°F (0° to +85°C)  
**Electrical Life:** 10,000 cycles  
**Mechanical Life:** 50,000 cycles at full load  
**Terminal Type:** .250" Tab Q.C.  
**Mounting Hole:** 1.450 (36.8) x .600 (15.2)

# Waterproof Rocker Switches

## Round Illuminated



### Features

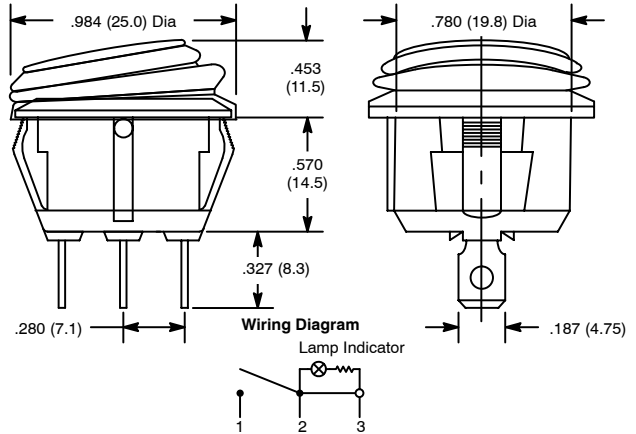
- **Waterproof:** IP65
- **Single Pole**
- **.187" Quick Connect Terminals**



NTE Type No.	Circuitry	Action			Actuator			Diag No.	
					Material	Color			Vltg
						Neon	LED		
54-503W*	SPST	ON	NONE	OFF	Nylon	Black	N/A	S117	
54-526W	SPST	ON	NONE	OFF	Nylon	Green	- AC	S117	
54-527W	SPST	ON	NONE	OFF	Nylon	- Red	DC	S117	
54-529W	SPST	ON	NONE	OFF	Nylon	- Green	DC	S117	
54-531W	SPST	ON	NONE	OFF	Nylon	Red	- AC	S117	

\* Designates Non-Illuminated Type

S117



## Specifications

**Current Rating:** 16A 125VAC, 10A 250VAC  
**Lamp Voltage:** 110V Neon (AC) & 12V LED (DC)  
**Insulation Resistance:** 100 Megohms (min.) at 500VDC  
**Dielectric Strength:** 1500V RMS (min.)  
**Temperature Rating:** +32° to +185°F (0° to +85°C)  
**Electrical Life:** 10,000 cycles  
**Mechanical Life:** 50,000 cycles at full load  
**Terminal Type:** .187" Tab Q.C.  
**Mounting Hole:** .795 (20.2)

## Round Illuminated



### Features

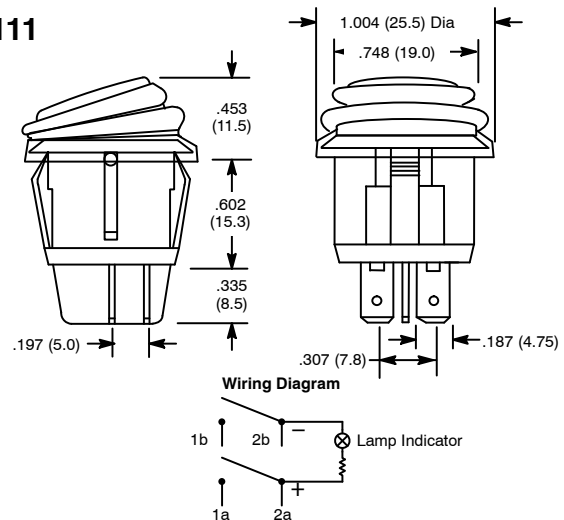
- **Waterproof:** IP65
- **Double Pole**
- **.187" Quick Connect Terminals**



NTE Type No.	Circuitry	Action			Actuator			Diag No.	
					Material	Color			Vltg
						Neon	LED		
54-205W	DPST	ON	NONE	OFF	PC	Red	- AC	S111	
54-206W	DPST	ON	NONE	OFF	PC	- Red	DC	S111	
54-209W	DPST	ON	NONE	OFF	PC	Green	- AC	S111	
54-210W	DPST	ON	NONE	OFF	PC	- Green	DC	S111	
54-211W*	DPST	ON	NONE	OFF	PC	Black	N/A	S111	

\* Designates Non-Illuminated Type

S111



## Specifications

**Current Rating:** 16A 125VAC, 10A 250VAC  
**Lamp Voltage:** 110V Neon (AC) & 12V LED (DC)  
**Insulation Resistance:** 100 Megohms (min.) at 500VDC  
**Dielectric Strength:** 1500V RMS (min.)  
**Temperature Rating:** +32° to +185°F (0° to +85°C)  
**Electrical Life:** 10,000 cycles  
**Mechanical Life:** 50,000 cycles at full load  
**Terminal Type:** .187" Tab Q.C.  
**Mounting Hole:** .795 (20.2)

# Waterproof Rocker Switches

## Round Illuminated

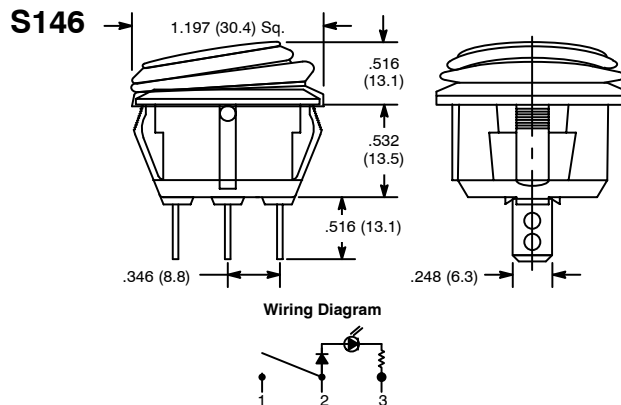


### Features

- Waterproof: IP65
- .250" Quick Connect Terminals



NTE Type No.	Circuitry	Action			Actuator			Diag No.	
					Material	Color			Vltg
		ON	NONE	OFF		Neon	LED		
54-739W	SPST	ON	NONE	OFF	PC	-	Red	AC	S146



## Specifications

**Current Rating:** 16A 125VAC  
**Lamp Voltage:** 110V  
**Insulation Resistance:** 100 Megohms (min.) at 500VDC  
**Dielectric Strength:** 1500V RMS (min.)  
**Temperature Rating:** -13° to +185°F (-25° to +85°C)  
**Electrical Life:** 6,000 cycles  
**Mechanical Life:** 10,000 cycles  
**Terminal Type:** .250" Tab Q.C.  
**Mounting Hole:** .945 (24.0)

## Dual Color Illuminated



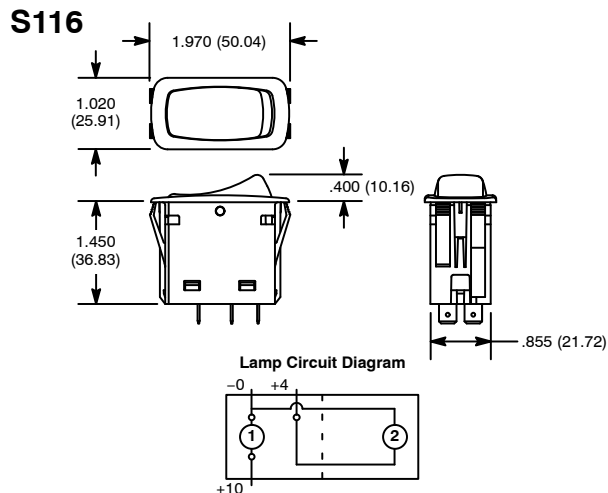
### Features

- IP67 Certified
- Single and Double Pole
- Dual Color Types
- .250" Quick Connect Terminals



NTE Type No.	Circuitry	Action			Actuator			Diag No.	
					Material	Color			Vltg
		ON	NONE	OFF		Neon	LED		
54-150	SPST	ON	NONE	OFF	Nylon	-	Amber/Green	DC	S116
54-151	SPST	(ON)	NONE	OFF	Nylon	-	Amber/Green	DC	S116
54-153	SPDT	ON	OFF	ON	Nylon	-	Amber/Green	DC	S116
54-154	SPDT	ON	OFF	(ON)	Nylon	-	Amber/Green	DC	S116
54-157	DPDT	ON	NONE	ON	Nylon	-	Amber/Green	DC	S116
54-158	DPDT	(ON)	OFF	(ON)	Nylon	-	Amber/Green	DC	S116

SPECIAL NOTE: ( ) = Momentary Function



## Specifications

**Current Rating:** 20A 12VDC,  
**Lamp Voltage:** 12V LED (DC)  
**Insulation Resistance:** 50 Megohms  
**Dielectric Strength:**  
**Between Pole to Pole:** 1250 VRMS  
**Between Live Parts & Accessible Surfaces:** 3750 VRMS  
**Temperature Rating:** -40° to +185°F (-40° to +85°C)  
**Electrical Life:** 100,000 cycles maintained  
 50,000 cycles momentary at rated voltage & current  
**Mechanical Life:** 250,000 cycles min.  
**Terminal Type:** .250" Tab Q.C.  
**Mounting Hole:** 1.734 (44.04) x .867 (22.02)

# Waterproof Rocker Switches

## Illuminated & Non-Illuminated



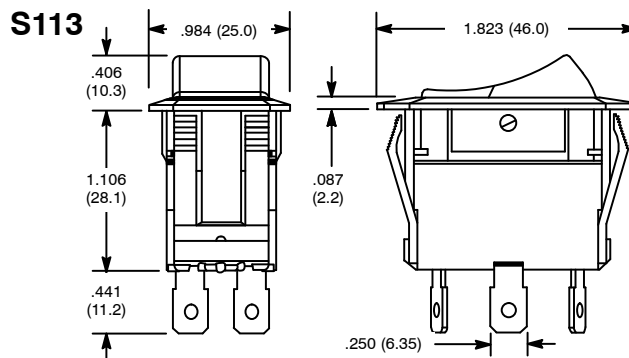
### Features

- **Waterproof:** IP66 (Note 1)
- **Single and Double Pole**
- **Available in Single and Dual Color Types**
- **.250" Quick Connect Terminals**



NTE Type No.	Circuitry	Action			Actuator			Diag No.	
					Material	Color			Vltg
						Neon	LED		
54-225W*	SPST	ON	NONE	OFF	PC	Black	N/A	S113	
54-226W*	DPDT	ON	NONE	ON	PC	Black	N/A	S113	
54-227W*	SPDT	ON	NONE	ON	PC	Black	N/A	S113	
54-228W#	SPDT	ON	OFF	ON	PC	Black	N/A	S113	
54-229W*	DPDT	ON	OFF	ON	PC	Black	N/A	S113	
54-230W	SPST	ON	NONE	OFF	PC	Red	-	AC S113	
54-231W	SPST	ON	NONE	OFF	PC	-	Red	DC S113	
54-232W	SPST	ON	NONE	OFF	PC	Green	-	AC S113	
54-233W	SPST	ON	NONE	OFF	PC	-	Green	DC S113	
54-234W	SPST	ON	NONE	OFF	PC	Blue	-	AC S113	
54-235W	SPST	ON	NONE	OFF	PC	-	Blue	DC S113	
54-238W#	SPDT	ON	NONE	ON	PC	Rd/Gn	-	AC S113	
54-239W	SPDT	ON	NONE	ON	PC	-	Rd/Gn	DC S113	
54-240W	SPDT	ON	OFF	ON	PC	Rd/Gn	-	AC S113	
54-241W	SPDT	ON	OFF	ON	PC	-	Rd/Gn	DC S113	
54-246W	SPDT	ON	NONE	ON	PC	Rd/Rd	-	AC S113	
54-247W	SPDT	ON	NONE	ON	PC	-	Rd/Rd	DC S113	
54-248W	SPDT	ON	OFF	ON	PC	Rd/Rd	-	AC S113	
54-249W	SPDT	ON	OFF	ON	PC	-	Rd/Rd	DC S113	
54-250W*	DPDT	(ON)	OFF	(ON)	PV	Black	N/A	S113	

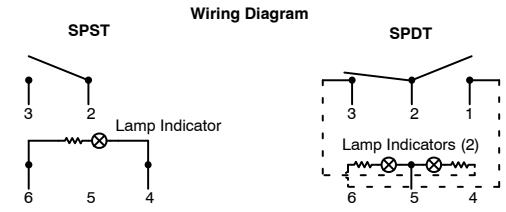
\* Designates Non-Illuminated Type  
 SPECIAL NOTE: ( ) = Momentary Function  
 Note 1: 54-228W & 54-241W are IP56



**Table 1.**

Panel Thickness	Y
.030 (.750) - .049 (1.25)	1.441 (36.6)
.049 (1.25) - .079 (2.00)	1.449 (36.8)
.079 (2.00) - .118 (3.00)	1.457 (37.0)

Mounting Hole: .835 (21.2)



## Specifications

- Current Rating:** 21A 14VDC  
 # 20A, 125VAC (54-228W & 54-238W Only)
- Lamp Voltage:** 110V Neon (AC) & 12V LED (DC)
- Insulation Resistance:** 100 Megohms (min.) at 500VDC
- Dielectric Strength:** 1500V RMS (min.)
- Temperature Rating:** +32° to +149°F (0° to +65°C)  
 +68° to +185°F (+20° to +85°C) (54-228W Only)
- Electrical Life:** 10,000 cycles
- Mechanical Life:** 50,000 cycles at full load
- Terminal Type:** .250" Tab Q.C.
- Mounting Hole:** See Table 1