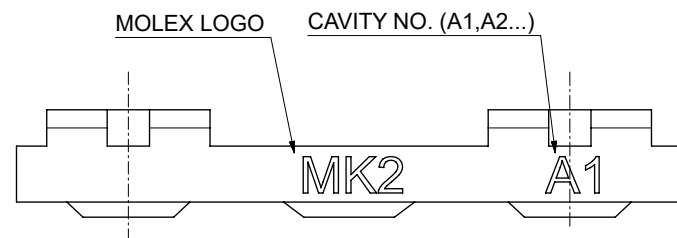
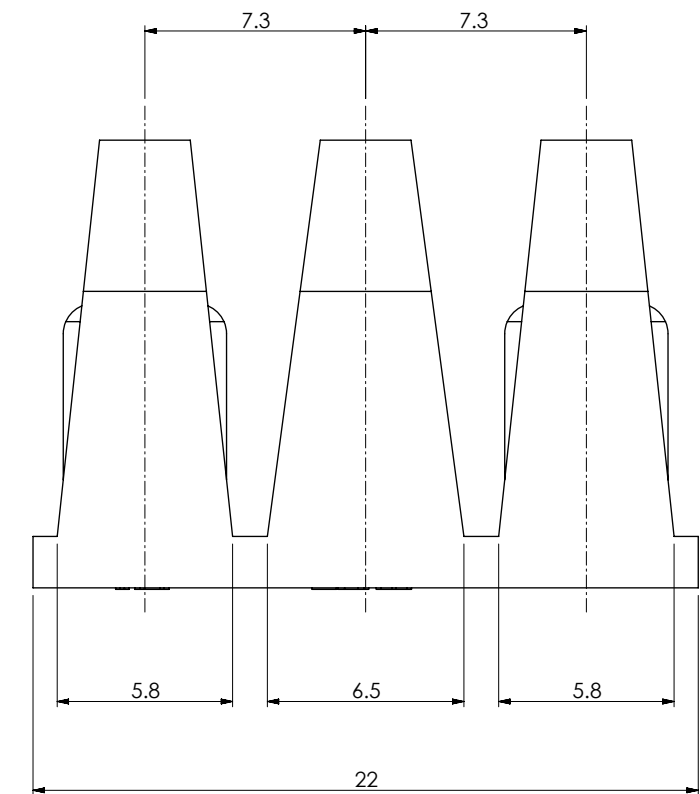
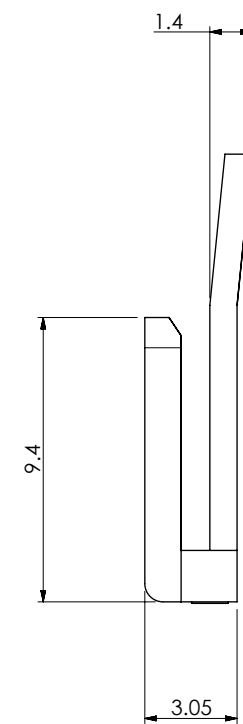
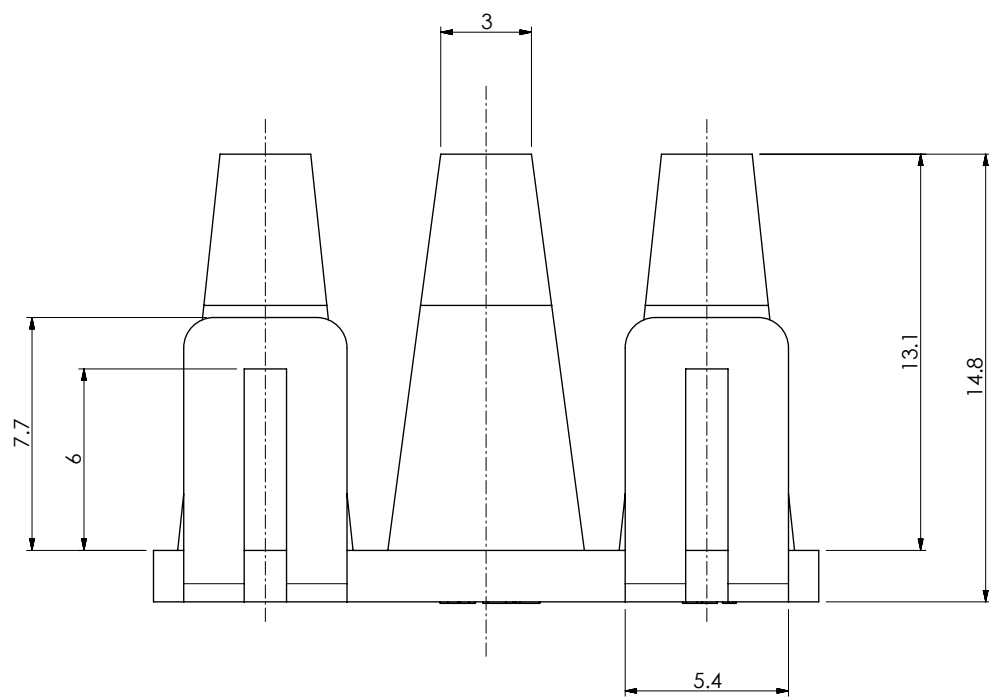
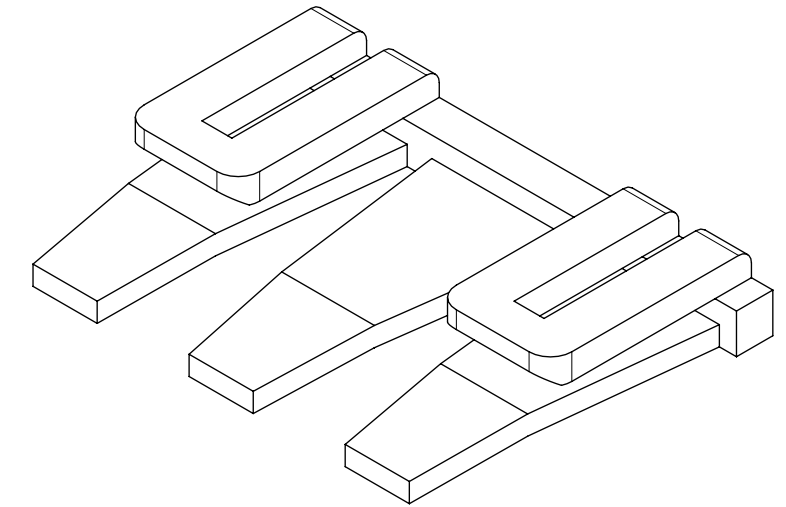


NOTE
 1. MATERIAL : NYLON(PA6) UNFILLED, UL94V-0
 COLOR : GRAY
 2. APPLICATION HOUSING : 217347-0300
 217348-0300
 3. PRODUCT SPECIFICATION : 2173470000PS
 4. PACKAGING SPECIFICATION : 2173470000PK



FUNCTIONAL SYMBOLS	THIS DRAWING CONTAINS INFORMATION THAT IS PROPRIETARY TO MOLEX ELECTRONIC TECHNOLOGIES, LLC AND SHOULD NOT BE USED WITHOUT WRITTEN PERMISSION		CURRENT REV DESC:		molex
	$\nabla_A = 0$ $\nabla_F = 0$ $\nabla_V = 0$	DIMENSION UNITS: mm SCALE: 4:1	GENERAL TOLERANCES (UNLESS SPECIFIED) ANGULAR TOL $\pm 3.0^\circ$		
DIVISIONAL SYMBOLS	4 PLACES	\pm	EC NO: 682922	2021/05/21	PRODUCT CUSTOMER DRAWING
	3 PLACES	\pm	DRWN: SCHONG03	2021/10/28	
	2 PLACES	± 0.35	CHK'D: JDPARK01	2021/10/28	DOCUMENT NUMBER: 2173470390 DOC TYPE: PSD DOC PART: 000 REVISION: A
	1 PLACE	± 0.35	APPR: JBJIN	2021/10/28	
0 PLACES	± 0.35	INITIAL REVISION:	2021/05/21		
DRAFT WHERE APPLICABLE MUST REMAIN WITHIN DIMENSIONS		THIRD ANGLE PROJECTION	DRAWING: A3-SIZE	SERIES: 217347	SHEET NUMBER: 1 OF 1