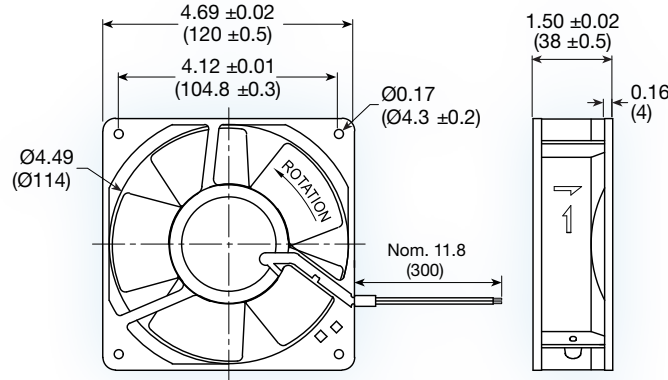
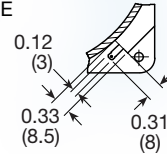


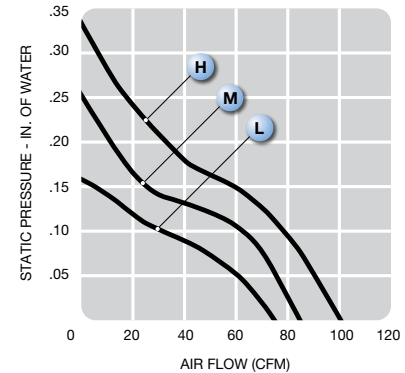
UF12AR series



LEAD WIRE TYPE



TERMINAL TYPE



(120 x 120 x 38 mm)
4.69 x 4.69 x 1.5 inches

Features:	Reverse air flow
Operating voltage:	115 or 230 VAC
Construction:	aluminum die cast frame; UL94V-0 PBT impeller
Bearing option:	ball bearing or sintered bronze sleeve
Motor:	shaded pole
Air Flow:	intake over struts
Connection:	terminal or 22 AWG lead wire
Protection:	impedance

Model No.	Rated Voltage	Freq.	Input Power	Rated Cur.	Locked Cur.	Speed	Air Volume		Max. Static Pressure (H ₂ O)		Sound Noise	Weight
	V	HZ	W	A	A	RPM	M ³ /Min.	CFM	MM	INCH	dbA	kg
UF12AR12-__H	115	60	11	0.19	0.20	3,100	2.8	99	8.5	0.33	47	0.53
UF12AR23-__H	230	60	15	0.09	0.10	3,100	2.8	99	8.5	0.33	47	0.53
UF12AR12-__M	115	60	11	0.17	0.19	2,750	2.4	85	6.5	0.26	45	0.53
UF12AR23-__M	230	60	15	0.08	0.09	2,750	2.4	85	6.5	0.26	45	0.53
UF12AR12-__L	115	60	11	0.15	0.16	2,300	2.1	75	4.0	0.16	38	0.53
UF12AR23-__L	230	60	15	0.07	0.08	2,300	2.1	75	4.0	0.16	38	0.53

