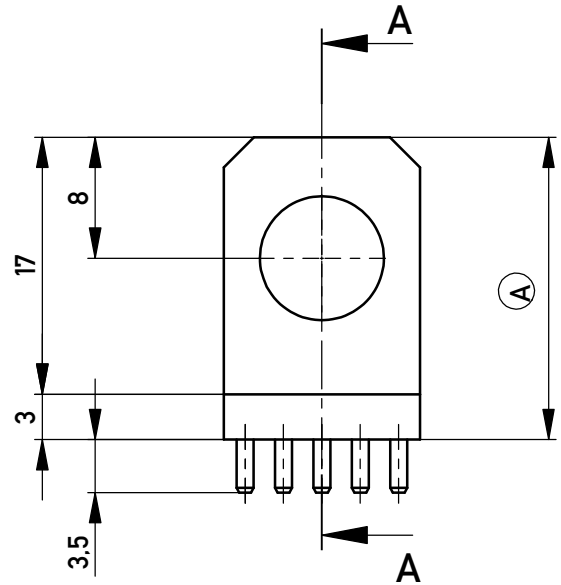
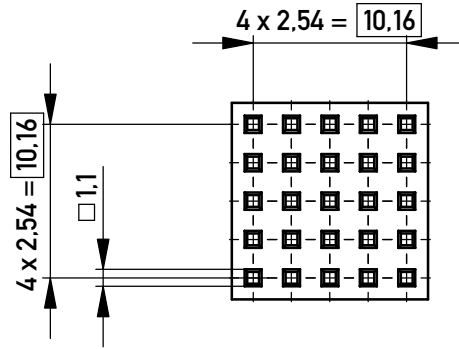
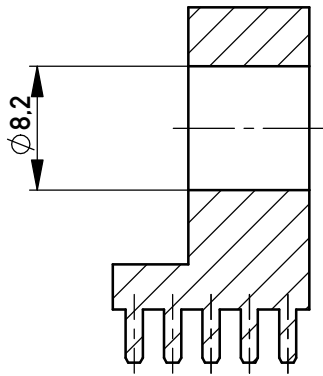
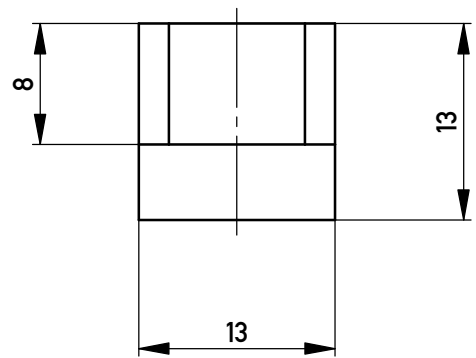
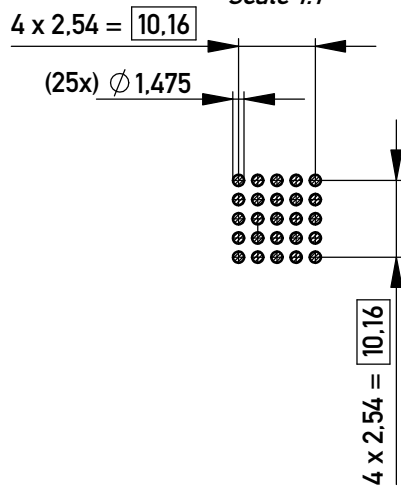


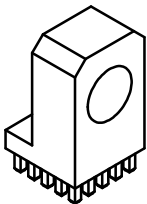
Schnitt A-A
cross section A-A



Layout - Vorschlag
PCB - Layout proposal
M 1:1
scale 1:1



M 1:1
scale 1:1



2-6µm Sn matt über 2-4µm Cu
2-6µm sn matt over 2-4µm cu

Ⓐ Oberfläche / plating

Information:	Tolerances	<p>All Dimensions in mm</p>	Scale	2:1	
	<p>All rights reserved. Only for Information. To ensure that this is the latest version of this drawing, please contact one of the ERNI companies before using.</p>		<p>Subject to modification without prior notice. Drawing will not be updated.</p>	Material:	CuZn39Pb3
<p>www.ERNI.com</p>		Designation		<p>PowerElement angled <i>full population d 8,2</i></p>	
	<p>b</p>	<p>19.02.2018</p>	<p>225709</p>		<p>I</p>
Index	Date	Class		POWELM	A4

Copyright by ERNI Production GmbH & Co. KG
Proprietary notice pursuant to ISO 16016 to be observed.