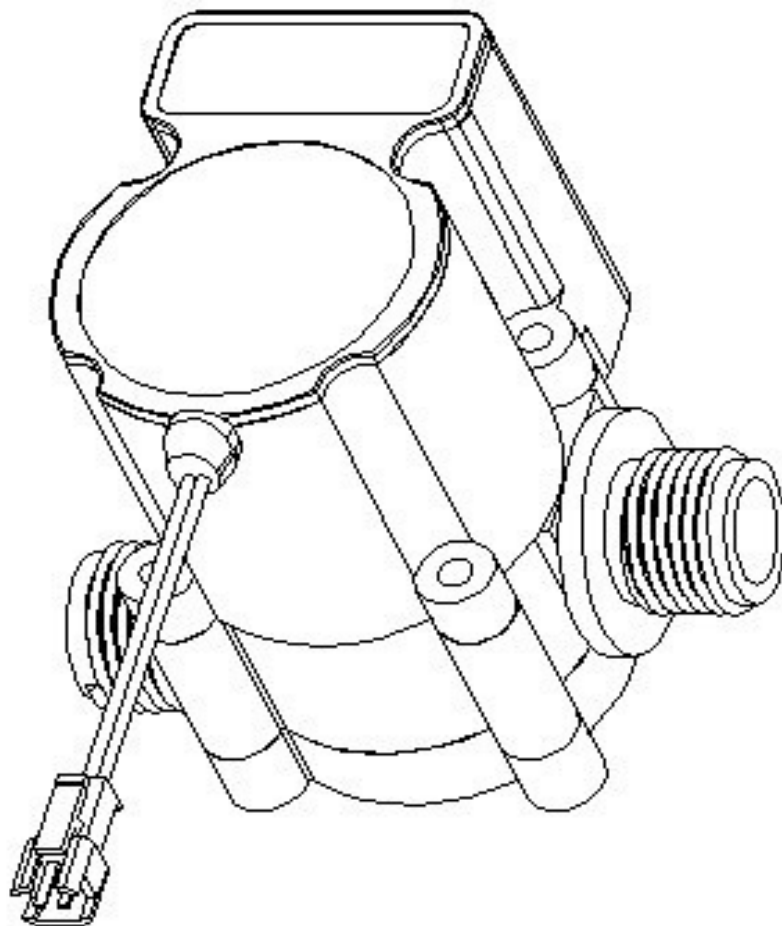


Hydro-Generator Specification

Model : DB-370F



DB-370F Specification Sheet

Working Pressure	< 2KGF
Pressure Drop	0.4 Bar (3.0 L / Min)
Peak Current	1.4 A
Stand-by Current	Max. 1.4A
Voltage Output	3.6V _{DC} --- 700mAh
Power Output	125mW (4LPM)
Battery Capacity	700mAh
Max. Flow	20 L / Min (2KGF)
Water-resistance	IP4
High limited voltage	4.3V _{DC}
Dimensions	L 84.5 mm - W 64.5 mm - H 81 mm
Wire Length	84mm
Jack Type	JWT C2521 Terminal Plug
Connect Thread Gauge	G 1/2"
Weight	195 ± 5g
Burst Pressure	20KGF
Normal Operation Temp.	4 °C~80 °C
Max. Intermittent Operating Temp.	110 °C max. 30 min
Generating Model	NACuM Core (PAT NO.DE202006004800)
Battery Type	Li-polymer Battery with PCM

NACuM Performance

The table shows the NACuM generated power at several flows, at a 100 Ohm resistor.

Flow(LPM) Voltage(V_{DC}) Current(mA) Power(mW)

2.7	3.4	34	115.6
3	3.5	35	122.5
4	3.6	36	129
12	3.66	36.6	133.9

EP-370F Drawing

