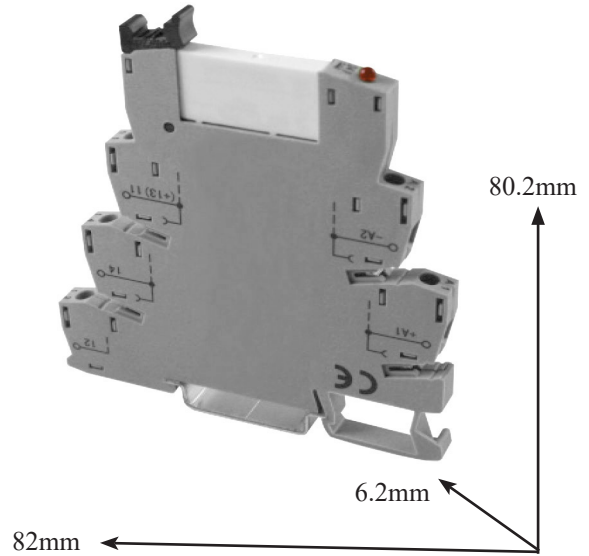


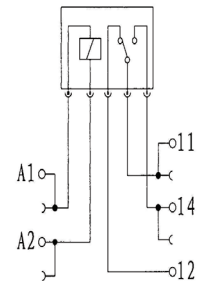
- Pluggable SPDT relay with DIN rail mount screw clamp terminal block base
- Space saving 6mm wide terminal block base
- Pluggable relay for easy replacement
- Plug-in Jumpers to easily connect common inputs and outputs
- Inductive kickback protection
- Circuit diagram on housing
- LED status display and protection diodes



Ordering Information		Input Technical Data - Coil	
Order Number	Type	Nominal Coil Voltage	Nominal Input Current
ASI328035	ASI-UDK-PLC-RI12VDC E	12Vdc±10%	14mA
ASI328036	ASI-UDK-PLC-RI24VDC E	24Vdc±10%	8mA
ASI328037	ASI-UDK-PLC-RI24VACDC E	24Vac/dc±10%	8mA
ASI328038	ASI-UDK-PLC-RI48VDC E	48Vdc±10%	5mA
ASI328039	ASI-UDK-PLC-RI60VDC E	60Vdc±10%	3.5mA
ASI328040	ASI-UDK-PLC-RI120VACDC E	120Vac/dc±10%	3.2mA
ASI328041	ASI-UDK-PLC-RI230VACDC E	230Vac/dc±10%	3.2mA

Input Technical Data - Coil	
Operate Time (at Nominal Volt)	8ms
Release Time (at Nominal Volt)	4ms
Output Technical Data -Contact	
Type and Material	AgSnO
Rating Current (Resistive Load)	6A/250Vac, 6A/30Vdc
General Technical Data	
Operating Temperature	"-40°...+70°C"
Coil/Contact Isolation	4000Vac
Isolation between Output Terminals	1000Vac
Status Display	Red LED
Connection Terminals	26-14AWG
Accessories	
Plug-in jumper Blue, 500mm	ASI318002
Plug-in jumper Red, 500mm	ASI318001
Plug-in jumper Gray, 500mm	ASI318003
End Stop (snap-on)	ASIUD1B
DIN Rail - 7.5 x 35mm slotted	PR005
DIN Rail - 7.5 x 35mm non-slotted	PR003

UDK-PLC-RI-DC



UDK-PLC-RI-ACDC

